

LM2146 CD

Spare parts

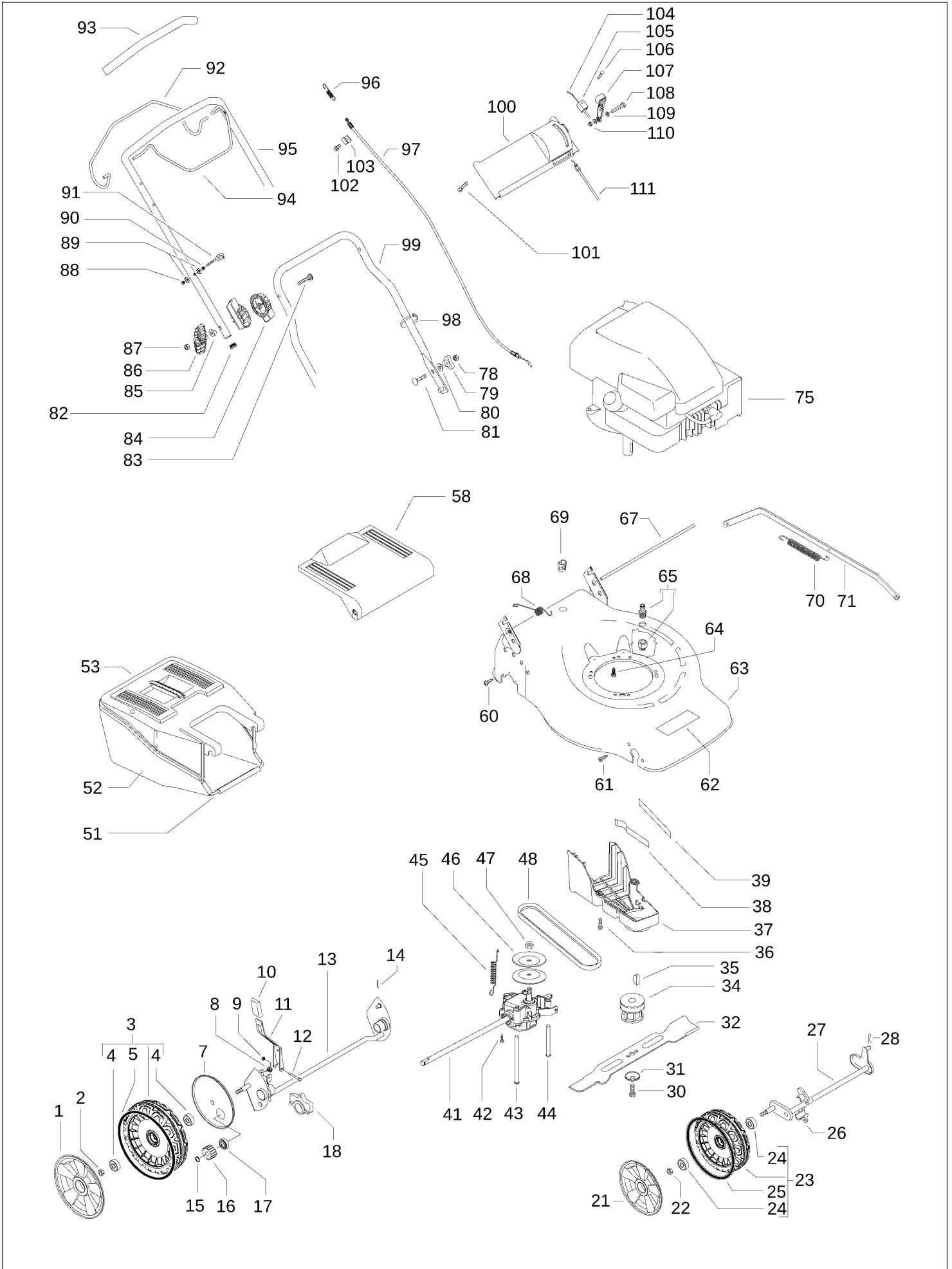
Ersatzteile

Pièces détachées

Reserve onderdelen

Repuestos

Reservdelar



Item	PN	Description	Qty
1	544 44 61-01	wheel cover Ø210	2
2	504 85 78-01	nut M8, self locking, flanged	2
3	502 44 56-03	wheel assy Ø210	2
4	504 54 82-01	ball bearing	2
5	544 43 28-03	o-ring, wheel Ø210	2
7	504 82 73-01	dust shield Ø210	2
8	531 21 08-17	spring, wheel regulator lever	1
9	531 20 84-92	nut M5, self locking	1
10	531 20 79-86	handle, wheel regulator	1
11	501 97 99-01	wheel regulator lever	1
12	538 23 58-07	screw M5x45	1
13	504 80 01-01	rear axle	1
14	531 20 66-53	cotter pin	1
15	531 20 87-72	seeger	2
16	544 34 23-01	gear	2
17	531 20 87-78	ball bearing	2
18	531 20 59-44	rear axle housing	2
21	544 44 59-01	wheel cover Ø190	1
22	504 85 78-01	nut M8, self locking, flanged	2
23	502 44 50-03	wheel assy Ø190	2
24	504 54 82-01	ball bearing	2
25	544 43 31-03	o-ring, wheel Ø190	2
26	531 20 50-57	front axle housing	4
27	504 85 65-01	front axle	1
28	531 20 66-53	cotter pin	1
30	531 20 80-08	screw, 3/8"	1
31	531 20 72-37	spring washer	1
32	531 21 10-17	blade	1
34	531 20 61-69	blade support	1
35	505 29 09-01	key	1
36	531 20 78-56	screw 5x10	3
37	544 46 22-01	belt cover	1
38	504 04 61-01	belt guide	1
39	544 46 25-01	belt guide	1
41	544 34 32-03	gear box	1
42	531 20 66-77	screw 4x18, self threading	2
43	544 93 44-01	belt guide	1
44	544 93 43-01	belt guide	1
45	544 93 47-01	gear box spring	1
46	504 54 79-01	pulley plate	2
47	504 54 80-01	nut	2
48	504 03 48-01	belt Z28 10X710	1
51	531 20 83-00	sack frame	1
52	531 20 83-06	sack	1
53	531 20 59-49	sack cover	1
58	531 20 46-32	safety flap	1
60	531 20 82-16	screw 5x16, self threading	2
61	531 20 88-44	screw 4.3x16, self threading	4
62	531 21 29-34	label, Jonsered	1
63	531 21 39-10	deck	1
64	531 21 28-51	screw 3/8" + split washer	3
65	531 20 58-48	snap on connector 1/2"	1
67	531 20 50-60	safety flap bar	1
68	531 20 59-99	spring	1
69	531 20 80-43	cable support	1
70	531 21 37-83	wheel regulation spring	1

Item	PN	Description	Qty
71	531 20 50-69	wheel regulation bar	1
75	—	engine, Briggs & Stratton, model number 10T5020188	1
78	531 20 79-82	nut	2
79	531 20 49-23	knob	2
80	531 20 49-04	washer	2
81	531 20 49-21	screw	2
82	531 20 89-50	cap	2
83	531 20 58-42	screw	2
84	531 20 58-39	locking disc, one half	4
85	531 20 58-41	spacer	2
86	531 20 58-40	knob	2
87	531 20 79-82	nut	2
88	531 20 84-91	nut M6 self	2
89	531 20 49-61	washer	4
90	531 20 71-65	nut M6	2
91	531 20 51-69	starter cable guide	2
92	531 21 20-74	clutch lever	1
93	531 20 83-07	handle sheat	1
94	531 21 24-67	brake lever	1
95	531 21 34-41	upper handle	1
96	531 20 52-15	spring, clutch	1
97	544 90 80-01	clutch cable	1
98	531 20 55-81	binder	2
99	531 20 60-40	lower handle	1
100	531 20 51-34	dashboard	1
101	531 20 88-44	screw, self threading	4
102	531 20 82-17	screw 5x25, self threading	1
103	531 20 79-23	cable support	1
104	531 21 34-34	brake cable	1
105	531 21 26-89	cable support	1
106	531 21 26-90	screw	1
107	531 20 51-39	accelerator lever	1
108	531 20 78-36	screw M5x25	1
109	531 20 66-66	washer	2
110	531 20 84-92	nut M5, self locking	1
111	531 20 77-54	accelerator cable	1