

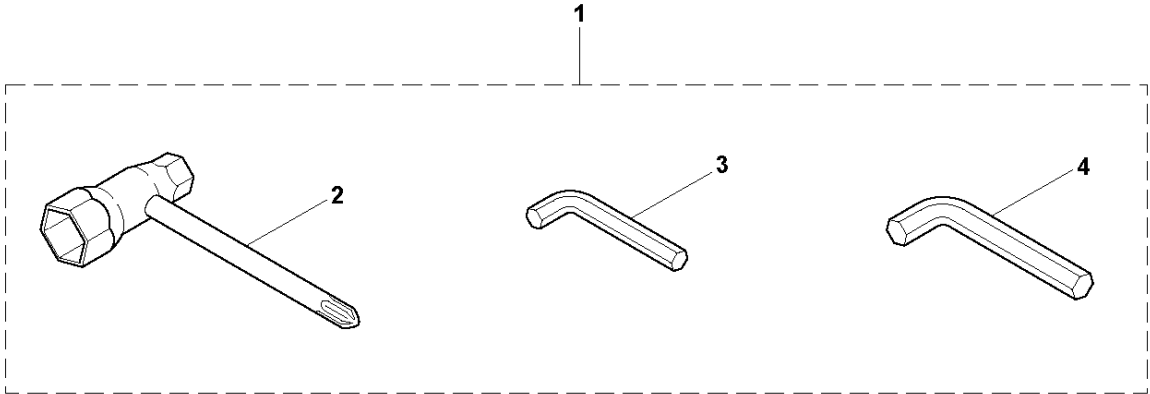


# SPARE PARTS LIST

HEDGE TRIMMERS

HT2230 T, 2010-03

**E** HT2230T  
ACCESSORIES

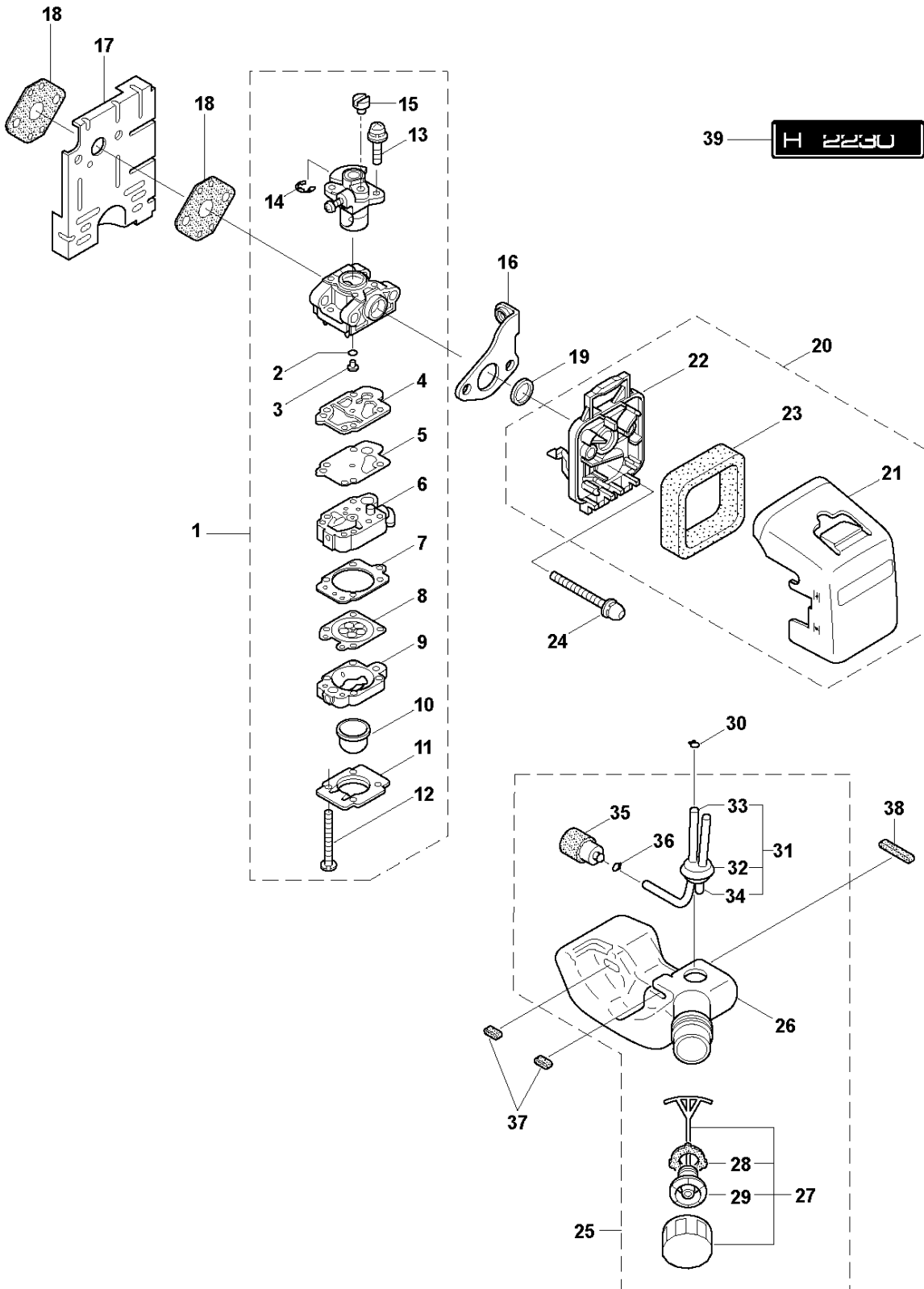


## ACCESSORIES

HT2230 T, 2010-03

| Ref | Part No      | Description        | Remark | QTY | KIT |
|-----|--------------|--------------------|--------|-----|-----|
| 1   | 504 04 46-01 | ACCESSORY BAG      |        | 1   |     |
| 2   | 504 04 43-01 | COMBINATION WRENCH |        | 1   | 1   |
| 3   | 504 04 44-01 | HEX KEY            |        | 1   | 1   |
| 4   | 523 11 23-01 | WRENCH             |        | 1   | 1   |

**D** HT2230T  
CARBURETOR & FUEL TANK

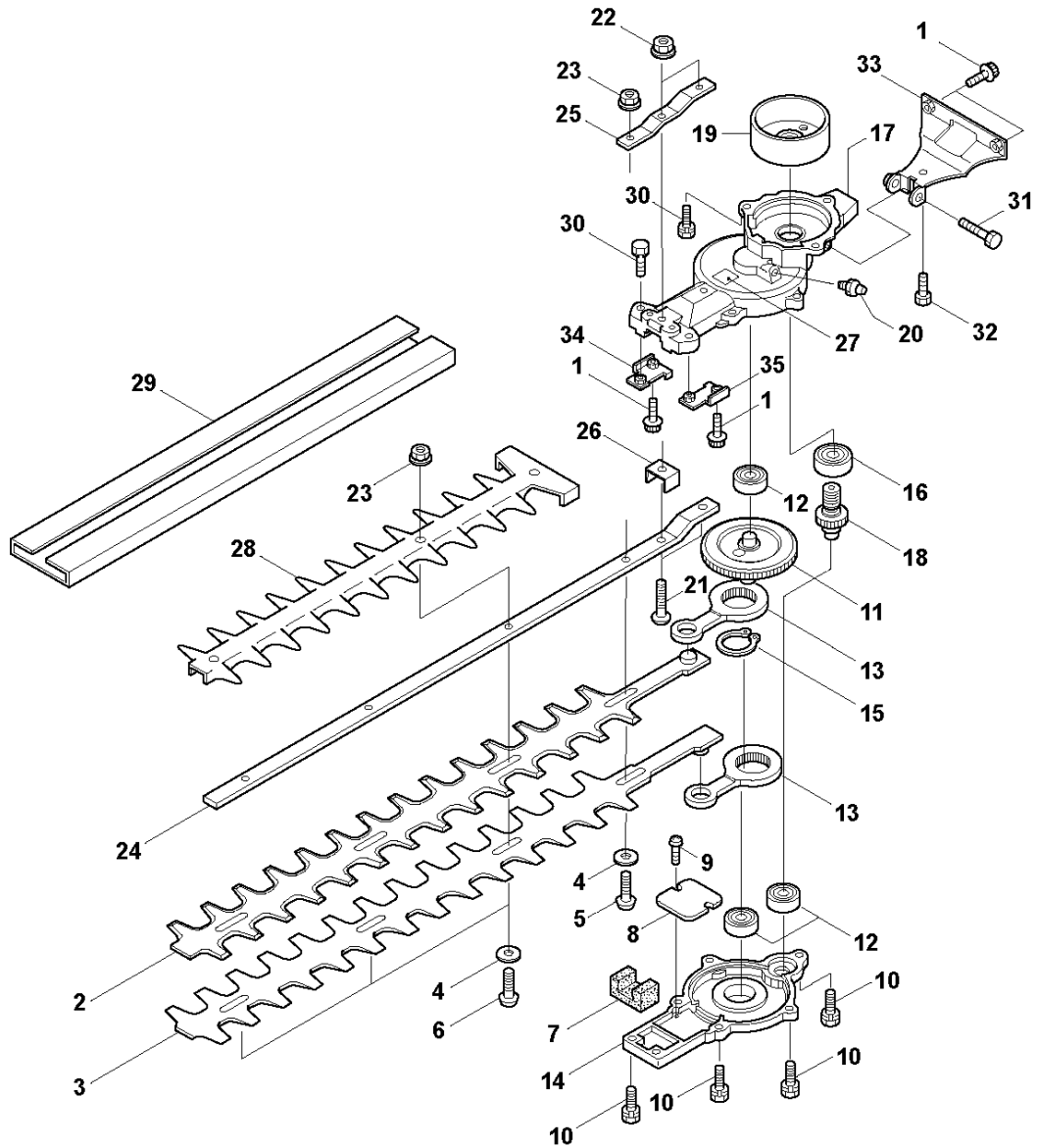


## CARBURETOR

HT2230 T, 2010-03

| Ref | Part No      | Description            | Remark | QTY | KIT    |
|-----|--------------|------------------------|--------|-----|--------|
| 1   | 544 30 43-01 | CARBURETTOR            |        | 1   |        |
| 2   | 523 10 73-01 | O-RING                 |        | 1   | 1      |
| 3   | 544 29 80-01 | MAIN JET               |        | 1   | 1      |
| 4   | 523 10 71-01 | GASKET                 |        | 1   | 1      |
| 5   | 523 10 70-01 | DIAPHRAGM.FUEL PUMP    |        | 1   | 1      |
| 6   | 544 29 23-01 | PUMP HOUSING           |        | 1   | 1      |
| 7   | 531 00 77-94 | GASKET                 |        | 1   | 1      |
| 8   | 523 10 68-01 | DIAPHRAGM. METERRING   |        | 1   | 1      |
| 9   | 531 00 77-95 | HOUSING                |        | 1   | 1      |
| 10  | 531 00 24-36 | BULB                   |        | 1   | 1      |
| 11  | 531 00 77-96 | PLATE                  |        | 1   | 1      |
| 12  | 531 00 77-97 | SCREW                  |        | 4   | 1      |
| 13  | 531 00 48-43 | RING                   |        | 2   | 1      |
| 14  | 523 10 76-01 | E-RING                 |        | 1   | 1      |
| 15  | 523 10 78-01 | SWIVEL                 |        | 1   | 1      |
| 16  | 544 29 60-01 | STAY                   |        | 1   |        |
| 17  | 544 29 52-01 | BAFFLE PLATE           |        | 1   |        |
| 18  | 531 00 24-52 | GASKET                 |        | 2   |        |
| 19  | 544 29 61-01 | GASKET                 |        | 1   |        |
| 20  | 544 30 44-02 | COVER                  |        | 1   |        |
| 21  | 544 30 44-02 | COVER                  |        | 1   | 20     |
| 22  | 544 29 36-01 | HOUSING ASSY           |        | 1   | 20     |
| 23  | 531 00 48-46 | AIR FILTER             |        | 1   | 20     |
| 24  | 531 00 48-48 | WASHER                 |        | 1   |        |
| 25  | 576 20 83-01 | FUEL TANK ASSY         |        | 1   |        |
| 26  | 544 29 27-01 | FUEL TANK              |        | 1   | 25     |
| 27  | 544 30 49-02 | TANK CAP ASSY          |        | 1   | 25     |
| 28  | 544 29 65-01 | GASKET                 |        | 1   | 25, 27 |
| 29  | 544 29 63-01 | VENTILATING VALVE ASSY |        | 1   | 25, 27 |
| 30  | 523 11 08-01 | CLIP                   |        | 1   |        |
| 31  | 544 29 51-01 | FUEL HOSE ASSY         |        | 1   | 25     |
| 32  | 544 29 38-01 | GROMMET                |        | 1   | 25     |
| 33  | 523 11 06-01 | FUEL PIPE              |        | 1   | 25     |
| 34  | 531 00 47-38 | HOSE                   |        | 1   | 25     |
| 35  | 531 00 47-37 | FILTER                 |        | 1   | 25     |
| 36  | 523 11 08-01 | CLIP                   |        | 1   | 25     |
| 37  | 531 00 48-32 | EXPANDER               |        | 2   |        |
| 38  | 531 00 48-33 | PIPE                   |        | 1   |        |
| 39  | 501 38 28-04 | DECAL                  |        | 1   |        |

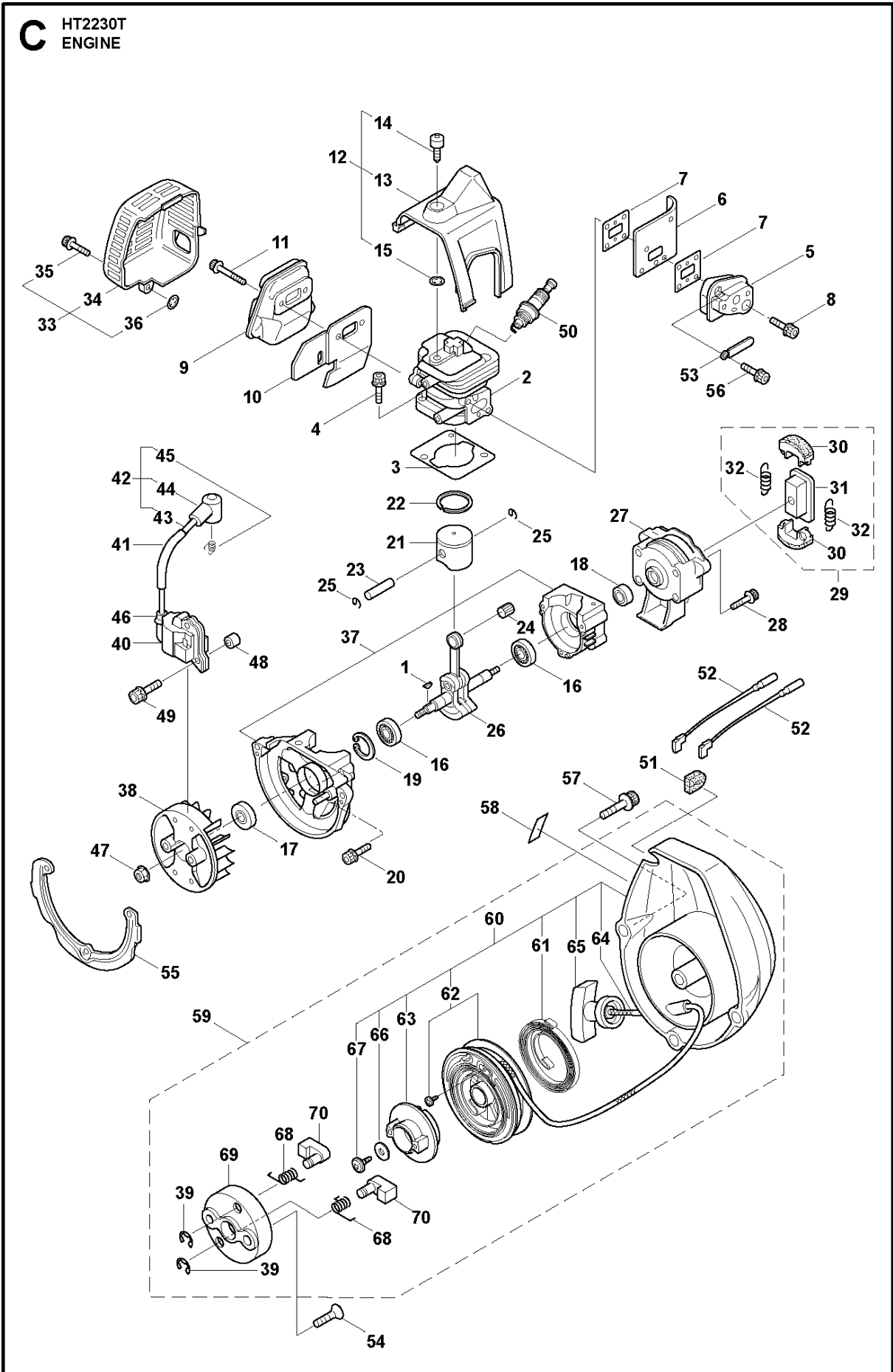
**A** HT2230T  
CUTTING EQUIPMENT



## CUTTING EQUIPMENT

HT2230 T, 2010-03

| Ref | Part No      | Description              | Remark                           | QTY KIT |
|-----|--------------|--------------------------|----------------------------------|---------|
| 1   | 544 29 62-01 | SCREW                    |                                  | 4       |
| 2   | 576 20 59-01 | BLADE TOP                |                                  | 1       |
| 3   | 576 20 60-01 | BOTTOM BLADE             |                                  | 1       |
| 4   | 531 00 47-15 | WASHER                   |                                  | 5       |
| 5   | 531 00 47-17 | SCREW                    |                                  | 1       |
| 6   | 531 00 47-16 | SCREW                    |                                  | 4       |
| 7   | 576 20 61-01 | FELT                     |                                  | 1       |
| 8   | 531 00 47-11 | PLATE                    |                                  | 1       |
| 9   | 576 20 62-01 | SCREW                    |                                  | 2       |
| 10  | 576 20 63-01 | SCREW                    |                                  | 7       |
| 11  | 576 20 64-01 | CRANK CPL.               |                                  | 1       |
| 12  | 544 29 92-01 | BEARING                  |                                  | 3       |
| 13  | 576 20 65-01 | ROD                      |                                  | 2       |
| 14  | 576 20 66-01 | CASE                     |                                  | 1       |
| 15  | 544 30 51-01 | SNAP RING                |                                  | 1       |
| 16  | 544 30 50-01 | BEARING                  |                                  | 1       |
| 17  | 576 20 67-01 | CASE                     |                                  | 1       |
| 18  | 531 00 47-06 | PINION                   |                                  | 1       |
| 19  | 544 29 82-01 | DRUM                     |                                  | 1       |
| 20  | 531 00 47-05 | NIPPLE                   |                                  | 1       |
| 21  | 502 28 86-01 | SCREW                    |                                  | 2       |
| 22  | 544 30 21-01 | NUT                      |                                  | 2       |
| 23  | 544 30 52-01 | NUT                      |                                  | 5       |
| 24  | 576 20 68-01 | GUIDE PLATE              |                                  | 1       |
| 25  | 576 20 70-01 | REINFORCING PLATE        |                                  | 1       |
| 26  | 576 20 71-01 | PLATE                    |                                  | 1       |
| 27  | 576 20 72-01 | LABEL                    |                                  | 1       |
| 28  | 544 29 89-01 | BLADE GUARD HEDGETRIMMER | Changed design, now with 7 teeth | 1       |
| 29  | 576 20 73-01 | BLADE COVER              |                                  | 1       |
| 30  | 544 29 86-01 | BOLT                     |                                  | 4       |
| 31  | 544 29 87-01 | BOLT                     |                                  | 1       |
| 32  | 544 29 85-01 | BOLT                     |                                  | 1       |
| 33  | 576 31 19-01 | BRACKET                  |                                  | 1       |
| 34  | 576 20 75-01 | STAY                     |                                  | 1       |
| 35  | 576 20 76-01 | STAY                     |                                  | 1       |





## ENGINE

HT2230 T, 2010-03

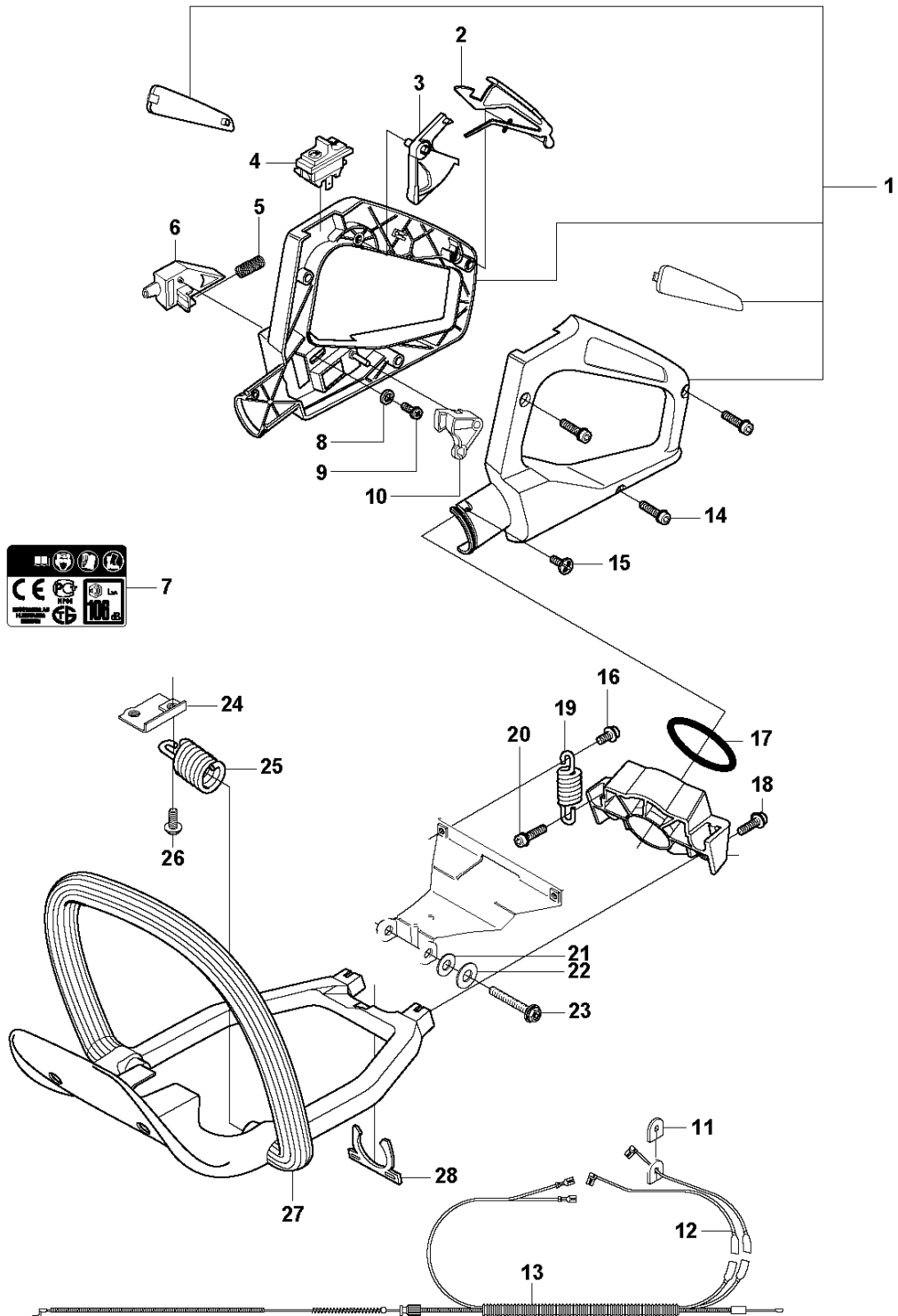
| Ref | Part No      | Description           | Remark | QTY | KIT    |
|-----|--------------|-----------------------|--------|-----|--------|
| 1   | 523 10 35-01 | WOODRUFF KEY          |        | 1   |        |
| 2   | 531 00 48-54 | SPRING PIN            |        | 1   |        |
| 3   | 531 00 48-02 | GEAR                  |        | 1   |        |
| 4   | 544 29 55-01 | SCREW                 |        | 2   |        |
| 5   | 544 29 58-01 | INSULATOR             |        | 1   |        |
| 6   | 531 00 48-55 | GASKET                |        | 1   |        |
| 7   | 531 00 23-53 | GASKET                |        | 2   |        |
| 8   | 544 29 39-01 | SCREW                 |        | 1   |        |
| 9   | 544 30 38-01 | MUFFLER               |        | 1   |        |
| 10  | 531 00 48-06 | SHAFT                 |        | 1   |        |
| 11  | 544 29 24-01 | SCREW                 |        | 2   |        |
| 12  | 576 20 77-01 | TOP                   |        | 1   |        |
| 13  | 544 29 53-02 | CYLINDER COVER        |        | 1   | 12     |
| 14  | 544 29 37-01 | KNOB                  |        | 1   | 12     |
| 15  | 576 20 78-01 | WASHER                |        | 1   | 12     |
| 16  | 531 00 41-10 | BALL BEARING          |        | 2   |        |
| 17  | 531 00 41-06 | SEALING RING          |        | 1   |        |
| 18  | 531 00 41-07 | SEALING RING          |        | 1   |        |
| 19  | 531 00 47-92 | CLIP                  |        | 1   |        |
| 20  | 544 29 18-01 | SCREW                 |        | 3   |        |
| 21  | 531 00 48-16 | DRIVE SHAFT           |        | 1   |        |
| 22  | 531 00 48-17 | PISTON RING           |        | 1   |        |
| 23  | 531 00 40-88 | PISTON BOLT           |        | 1   |        |
| 24  | 531 00 48-18 | MACHINE HOLDER        |        | 1   |        |
| 25  | 531 00 23-83 | CLIP                  |        | 2   |        |
| 26  | 544 29 31-01 | SHAFT ASSY            |        | 1   |        |
| 27  | 544 29 28-01 | CLUTCH COVER          |        | 1   |        |
| 28  | 523 10 60-01 | CAP SCREW             |        | 4   |        |
| 29  | 544 30 32-01 | CLUTCH ASSY           |        | 1   |        |
| 30  | 544 30 35-01 | CLUTCH SHOE           |        | 2   | 29     |
| 31  | 544 30 36-01 | CLUTCH HUB            |        | 1   | 29     |
| 32  | 544 30 37-01 | SPRING                |        | 2   | 29     |
| 33  | 576 20 79-01 | COVER                 |        | 1   |        |
| 34  | 544 29 30-02 | MUFFLER COVER         |        | 1   | 33     |
| 35  | 523 10 60-01 | CAP SCREW             |        | 1   | 33     |
| 36  | 576 20 78-01 | WASHER                |        | 1   | 33     |
| 37  | 544 29 26-01 | CRANKCASE ASSY        |        | 1   |        |
| 38  | 531 00 48-25 | SPLASH GUARD          |        | 1   |        |
| 39  | 531 00 24-85 | RETAINING RING        |        | 2   | 59     |
| 40  | 531 00 78-41 | IGNITION MODULE       |        | 1   |        |
| 41  | 544 29 66-01 | INSULATOR             |        | 1   |        |
| 42  | 544 29 57-01 | SPARK PLUG            |        | 1   |        |
| 43  | 531 00 78-42 | CABLE                 |        | 1   | 42     |
| 44  | 531 00 23-98 | SPARK PLUG CONNECTION |        | 1   | 42     |
| 45  | 523 10 32-01 | CONNECTOR             |        | 1   | 42     |
| 46  | 523 10 34-01 | HUB CAP               |        | 1   |        |
| 47  | 531 00 41-13 | NUT                   |        | 1   |        |
| 48  | 523 12 23-01 | SPACER                |        | 2   |        |
| 49  | 523 10 37-01 | CAP SCREW             |        | 2   |        |
| 50  | 523 10 38-01 | SPARK PLUG            |        | 1   |        |
| 51  | 531 00 48-29 | ATTACHMENT            |        | 1   |        |
| 52  | 523 10 40-01 | LEAD                  |        | 2   |        |
| 53  | 523 10 41-01 | CLAMP                 |        | 1   |        |
| 54  | 544 29 25-01 | SCREW                 |        | 2   |        |
| 55  | 544 30 45-02 | PLATE                 |        | 1   |        |
| 56  | 544 29 40-01 | SCREW                 |        | 1   |        |
| 57  | 504 09 50-01 | SCREW                 |        | 3   |        |
| 58  | 576 20 80-01 | LABEL                 |        | 1   |        |
| 59  | 576 20 81-01 | STARTER ASSY          |        | 1   |        |
| 60  | 544 30 46-02 | STARTER ASSY          |        | 1   | 59     |
| 61  | 544 30 39-01 | RECOIL SPRING         |        | 1   | 59, 60 |
| 62  | 544 30 40-01 | SPRING CASSETTE ASSY  |        | 1   | 59, 60 |
| 63  | 544 30 41-01 | STARTER PULLEY        |        | 1   | 59, 60 |
| 64  | 544 30 42-01 | STARTER CORD          |        | 1   | 59, 60 |

## ENGINE

HT2230 T, 2010-03

| Ref | Part No      | Description    | Remark | QTY | KIT    |
|-----|--------------|----------------|--------|-----|--------|
| 65  | 544 30 47-02 | STARTER HANDLE |        | 1   | 59, 60 |
| 66  | 544 29 67-01 | WASHER         |        | 1   | 59, 60 |
| 67  | 544 29 74-01 | SCREW          |        | 1   | 59, 60 |
| 68  | 544 30 34-01 | RECOIL SPRING  |        | 2   | 59     |
| 69  | 544 30 33-01 | HOUSING        |        | 1   | 59     |
| 70  | 544 29 78-01 | PAWL           |        | 2   | 59     |

**B** HT2230T  
HANDLE



## HANDLE

HT2230 T, 2010-03

| Ref | Part No      | Description      | Remark | QTY KIT |
|-----|--------------|------------------|--------|---------|
| 1   | 537 28 00-07 | HANDLE ASSY      |        | 1       |
| 2   | 537 18 39-02 | THROTTLE LOCKOUT |        | 1       |
| 3   | 506 01 44-05 | THROTTLE TRIGGER |        | 1       |
| 4   | 503 71 82-01 | SWITCH           |        | 1       |
| 5   | 503 77 06-01 | RECOIL SPRING    |        | 1       |
| 6   | 503 77 05-02 | LOCKING BUTTON   |        | 1       |
| 7   | 544 05 76-02 | LABEL            |        | 1       |
| 8   | 734 11 25-41 | WASHER           |        | 1       |
| 9   | 503 21 29-06 | SCREW CCRPANT    |        | 1       |
| 10  | 503 79 15-02 | LATCH            |        | 1       |
| 11  | 531 00 48-29 | ATTACHMENT       |        | 1       |
| 12  | 531 00 78-44 | SHORTING LEAD    |        | 2       |
| 13  | 522 70 75-01 | WIRING ASSY      |        | 1       |
| 14  | 503 21 07-16 | SCREW IHST       |        | 3       |
| 15  | 503 21 27-13 | SCREW CCRPANT    |        | 1       |
| 16  | 503 20 07-10 | SCREW IHSCFM     |        | 2       |
| 17  | 740 44 16-00 | O-RING           |        | 1       |
| 18  | 503 21 06-22 | SCREW IHST       |        | 2       |
| 19  | 537 08 07-01 | SPRING           |        | 2       |
| 20  | 503 21 68-16 | SCREW IHST       |        | 2       |
| 21  | 735 21 53-01 | LOCKWASHER       |        | 1       |
| 22  | 734 11 52-01 | WASHER           |        | 1       |
| 23  | 725 23 78-51 | SCREW EHHM       |        | 2       |
| 24  | 544 30 29-01 | STAY             |        | 1       |
| 25  | 537 08 08-01 | SPRING           |        | 2       |
| 26  | 503 20 07-10 | SCREW IHSCFM     |        | 2       |
| 27  | 503 77 10-02 | FRONT HANDLE     |        | 1       |
| 28  | 503 77 09-02 | SECURING PLATE   |        | 1       |