

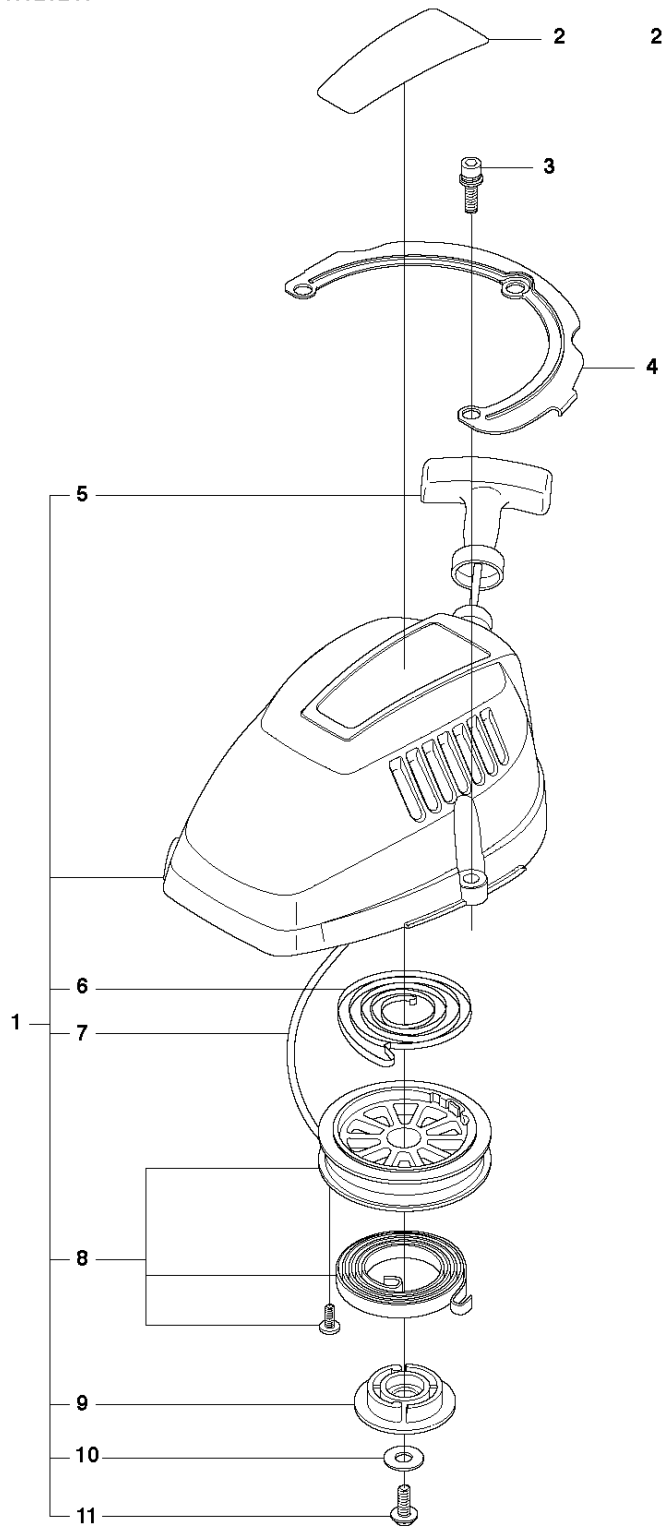


SPARE PARTS LIST

HEDGE TRIMMERS

HT2124, 2010-02

A HT2124, HT2124T

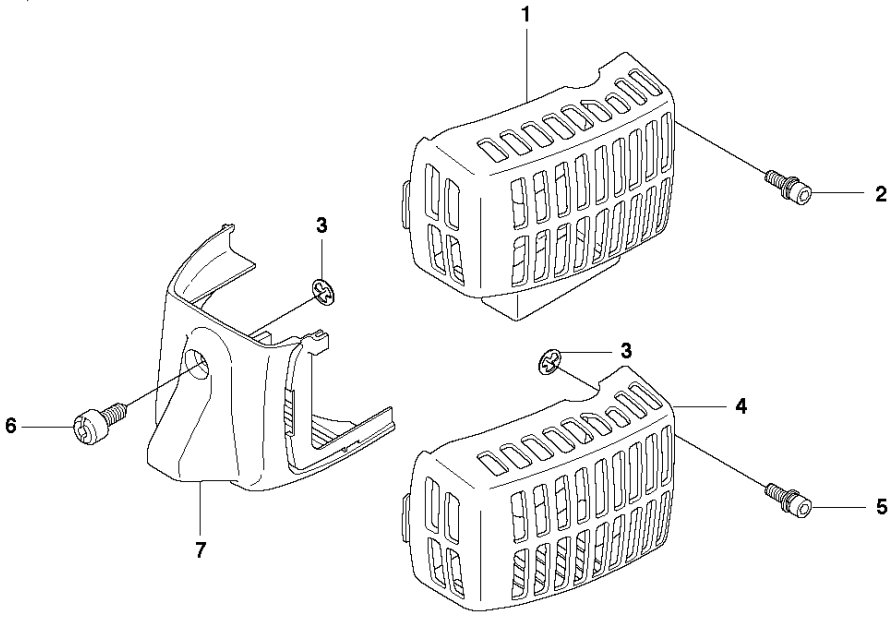


STARTER

HT2124, 2010-02

| Ref | Part No | Description | Remark | QTY KIT | |
|-----|--------------|----------------------|--------|---------|---|
| 1 | 544 30 46-02 | STARTER ASSY | | 1 | |
| 2 | 537 18 28-01 | LABEL | | 1 | |
| 3 | 544 29 19-01 | SCREW | | 3 | |
| 4 | 544 30 45-02 | PLATE | | 1 | |
| 5 | 544 30 47-02 | STARTER HANDLE | | 1 | 1 |
| 6 | 544 30 39-01 | RECOIL SPRING | | 1 | 1 |
| 7 | 544 30 42-01 | STARTER CORD | | 1 | 1 |
| 8 | 544 30 40-01 | SPRING CASSETTE ASSY | | 1 | 1 |
| 9 | 544 30 41-01 | STARTER PULLEY | | 1 | 1 |
| 10 | 544 29 67-01 | WASHER | | 1 | 1 |
| 11 | 544 29 74-01 | SCREW | | 1 | 1 |

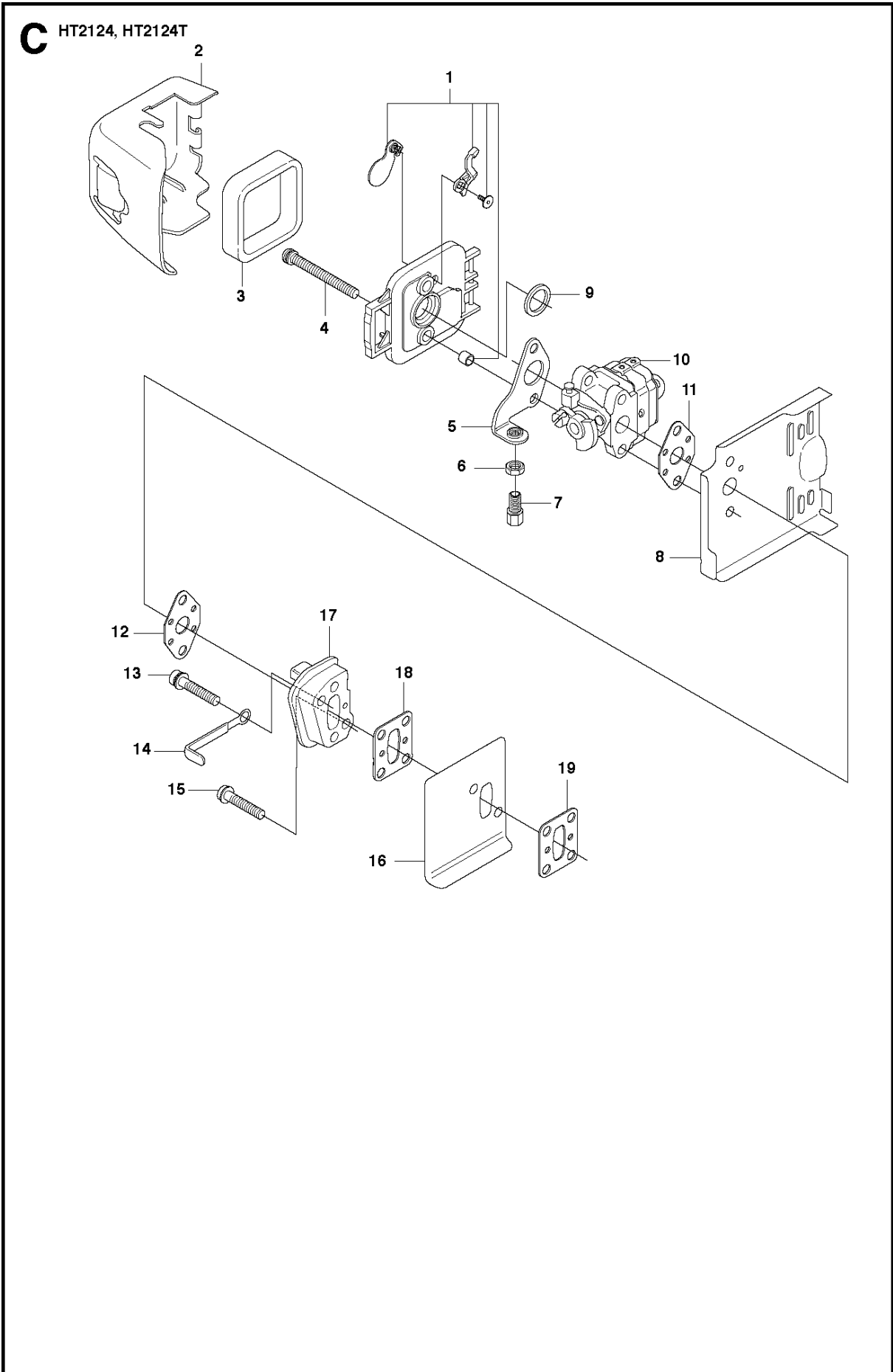
B HT2124, HT2124T



COVER

HT2124, 2010-02

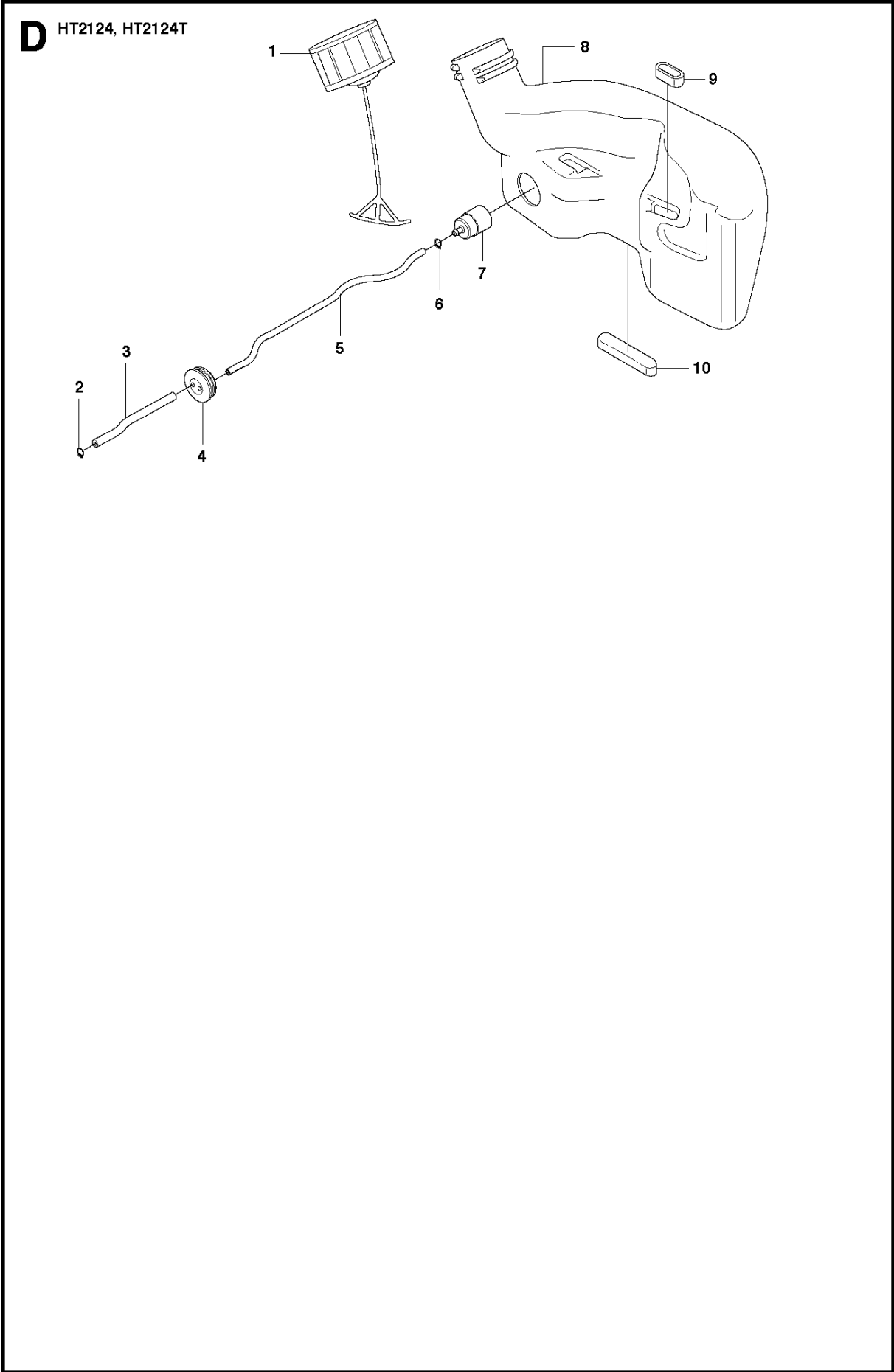
| Ref | Part No | Description | Remark | QTY KIT |
|-----|--------------|----------------|--------|---------|
| 2 | 544 29 21-01 | SCREW | | 1 |
| 3 | 576 20 78-01 | WASHER | | 2 |
| 4 | 544 29 30-01 | MUFFLER COVER | | 1 |
| 5 | 544 29 21-01 | SCREW | | 1 |
| 6 | 544 29 37-01 | KNOB | | 1 |
| 7 | 544 29 53-02 | CYLINDER COVER | | 1 |



CARBURETOR & AIR FILTER

HT2124, 2010-02

| Ref | Part No | Description | Remark | QTY KIT |
|-----|--------------|--------------|------------|---------|
| 1 | 544 29 36-01 | HOUSING ASSY | | 1 |
| 2 | 544 30 44-02 | COVER | | 1 |
| 3 | 531 00 48-46 | AIR FILTER | | 1 |
| 4 | 531 00 48-48 | WASHER | | 2 |
| 5 | 544 29 60-01 | STAY | | 1 |
| 6 | 531 00 24-45 | NUT | | 1 |
| 7 | 544 29 35-01 | ADAPTER | | 1 |
| 8 | 544 29 52-01 | BAFFLE PLATE | | 1 |
| 9 | 544 29 61-01 | GASKET | | 1 |
| 10 | 544 30 43-01 | CARBURETTOR | Walbro WYL | 1 |
| 11 | 531 00 24-52 | GASKET | | 1 |
| 12 | 531 00 24-52 | GASKET | | 1 |
| 13 | 544 29 40-01 | SCREW | | 1 |
| 14 | 544 29 29-01 | CLAMP | | 1 |
| 15 | 544 29 39-01 | SCREW | | 1 |
| 16 | 531 00 48-55 | GASKET | | 1 |
| 17 | 544 29 58-01 | INSULATOR | | 1 |
| 18 | 531 00 23-53 | GASKET | | 1 |
| 19 | 531 00 23-53 | GASKET | | 1 |

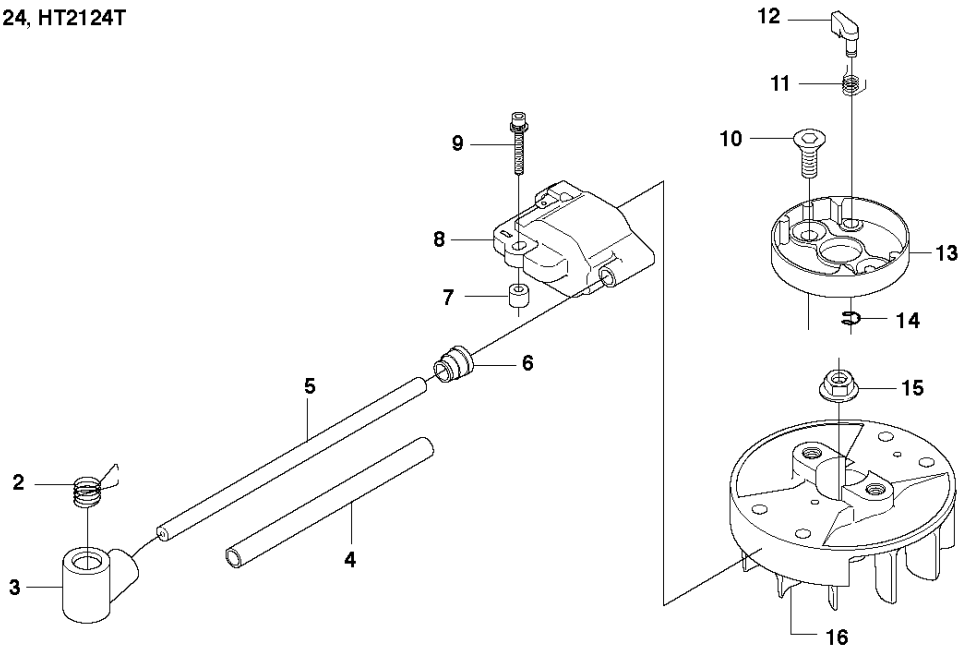


FUEL TANK

HT2124, 2010-02

| Ref | Part No | Description | Remark | QTY KIT |
|-----|--------------|---------------|--------|---------|
| 1 | 544 30 49-02 | TANK CAP ASSY | | 1 |
| 2 | 531 00 24-15 | CLIP | | 1 |
| 3 | 531 00 47-38 | HOSE | | 1 |
| 4 | 544 29 38-01 | GROMMET | | 1 |
| 5 | 531 00 78-15 | HOSE | | 1 |
| 6 | 531 00 24-15 | CLIP | | 1 |
| 7 | 531 00 47-37 | FILTER | | 1 |
| 8 | 544 29 27-01 | FUEL TANK | | 1 |
| 9 | 531 00 48-32 | EXPANDER | | 2 |
| 10 | 531 00 48-33 | PIPE | | 1 |

E HT2124, HT2124T

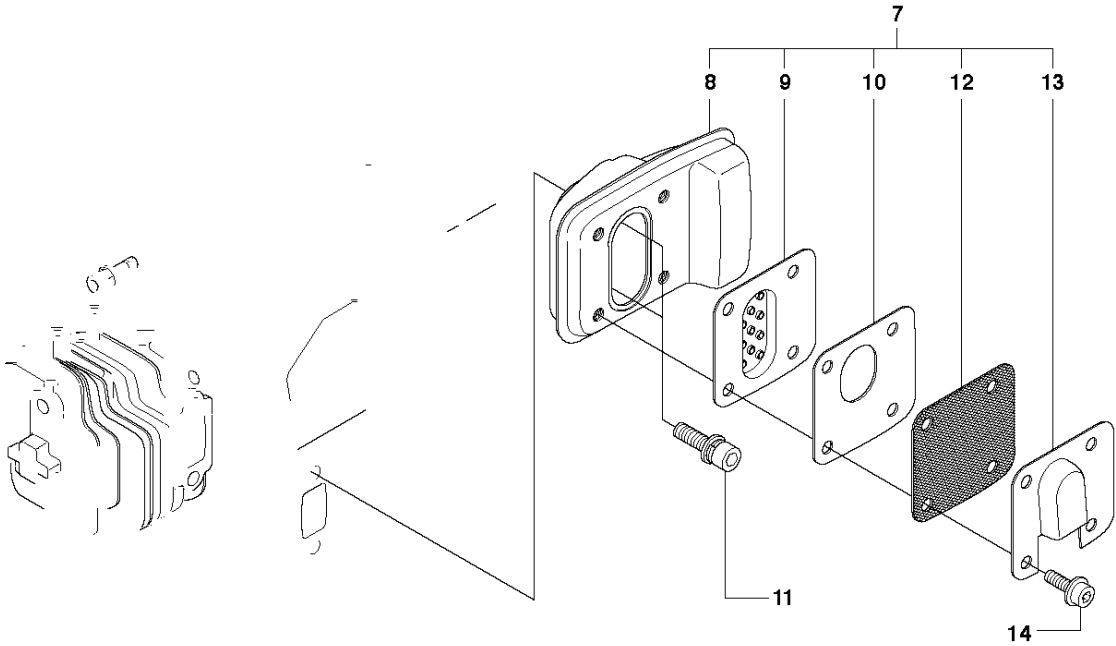
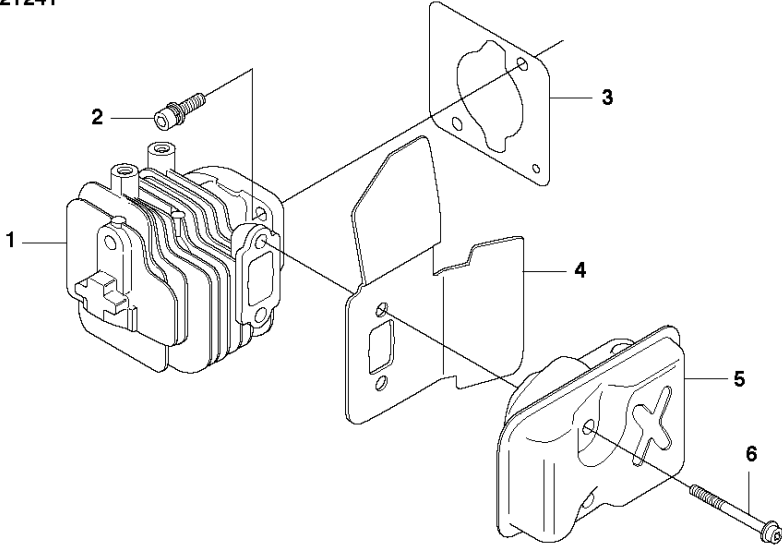


IGNITION SYSTEM

HT2124, 2010-02

| Ref | Part No | Description | Remark | QTY KIT |
|-----|--------------|-----------------------|--------|---------|
| 2 | 531 00 23-99 | SPRING | | 1 |
| 3 | 531 00 23-98 | SPARK PLUG CONNECTION | | 1 |
| 4 | 544 29 66-01 | INSULATOR | | 1 |
| 5 | 531 00 78-42 | CABLE | | 1 |
| 6 | 531 00 24-01 | SLEEVE | | 1 |
| 7 | 531 00 24-04 | SPACER | | 2 |
| 8 | 531 00 78-41 | IGNITION MODULE | | 1 |
| 9 | 544 29 20-01 | SCREW | | 2 |
| 10 | 544 29 25-01 | SCREW | | 2 |
| 11 | 544 30 34-01 | RECOIL SPRING | | 2 |
| 12 | 544 29 78-01 | PAWL | | 2 |
| 13 | 544 30 33-01 | HOUSING | | 1 |
| 14 | 531 00 24-85 | RETAINER RING | | 2 |
| 15 | 531 00 41-13 | NUT | | 1 |
| 16 | 531 00 48-25 | SPLASH GUARD | | 1 |

F HT2124, HT2124T

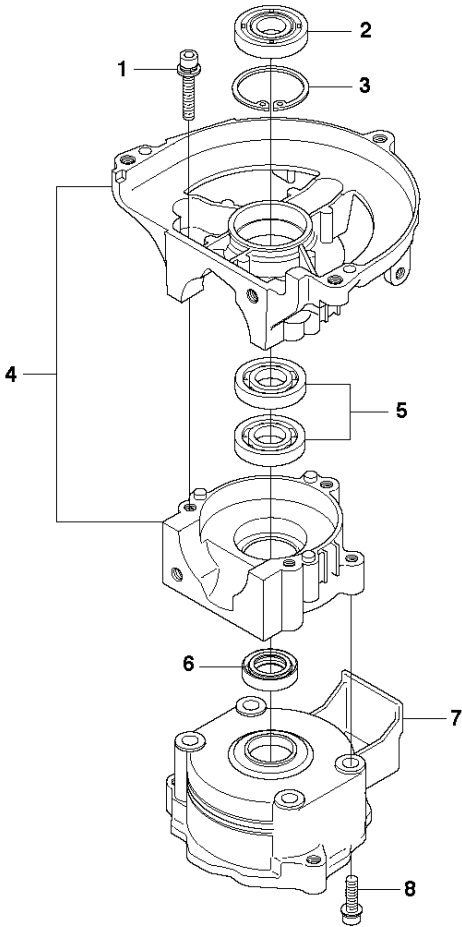


MUFFLER

HT2124, 2010-02

| Ref | Part No | Description | Remark | QTY | KIT |
|-----|--------------|---------------|---------|-----|-----|
| 1 | 531 00 48-54 | SPRING PIN | | 1 | |
| 2 | 544 29 55-01 | SCREW | | 2 | |
| 3 | 531 00 48-02 | GEAR | | 1 | |
| 4 | 531 00 48-06 | SHAFT | | 1 | |
| 5 | 544 30 38-01 | MUFFLER | | 1 | |
| 6 | 544 29 24-01 | SCREW | | 2 | |
| 7 | 504 09 49-01 | MUFFLER ASSY | US Only | 1 | |
| 8 | 531 00 48-07 | SPACER | | 1 | 7 |
| 9 | 531 00 48-08 | END PLATE | | 1 | 7 |
| 10 | 531 00 48-10 | SHAFT | | 1 | 7 |
| 11 | 504 09 50-01 | SCREW | | 2 | |
| 12 | 531 00 48-09 | BEARING PLATE | | 1 | 7 |
| 13 | 531 00 48-11 | NUT | | 1 | 7 |
| 14 | 504 04 39-01 | SCREW | | 4 | |

G HT2124, HT2124T

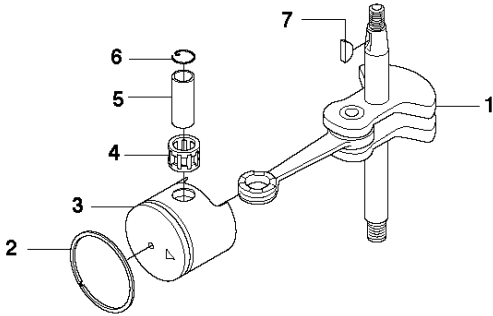


CRANKCASE

HT2124, 2010-02

| Ref | Part No | Description | Remark | QTY KIT |
|-----|--------------|----------------|--------|---------|
| 1 | 544 29 18-01 | SCREW | | 3 |
| 2 | 531 00 41-06 | SEALING RING | | 1 |
| 3 | 531 00 41-05 | RETAINER RING | | 1 |
| 4 | 544 29 26-01 | CRANKCASE ASSY | | 1 |
| 5 | 531 00 41-10 | BALL BEARING | | 2 |
| 6 | 531 00 41-07 | SEALING RING | | 1 |
| 7 | 544 29 28-01 | CLUTCH COVER | | 1 |
| 8 | 544 29 21-01 | SCREW | | 4 |

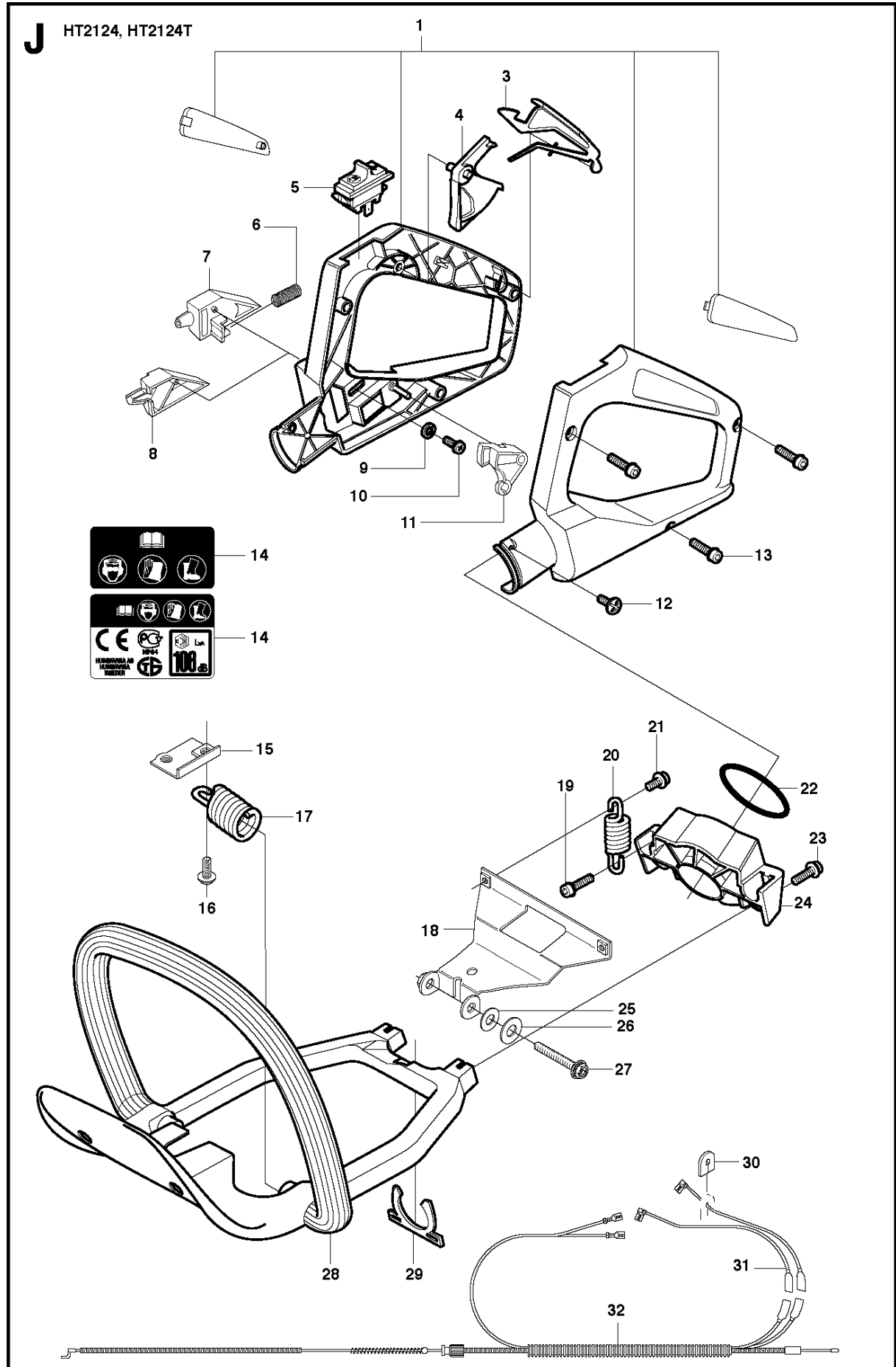
H HT2124, HT2124T



PISTON & CRANKSHAFT

HT2124, 2010-02

| Ref | Part No | Description | Remark | QTY KIT |
|-----|--------------|----------------|--------|---------|
| 1 | 544 29 31-01 | SHAFT ASSY | | 1 |
| 2 | 531 00 48-17 | PISTON RING | | 1 |
| 3 | 531 00 48-16 | DRIVE SHAFT | | 1 |
| 4 | 531 00 48-18 | MACHINE HOLDER | | 1 |
| 5 | 531 00 40-88 | PISTON BOLT | | 1 |
| 6 | 531 00 23-83 | CLIP | | 2 |
| 7 | 531 00 24-02 | KEY | | 1 |

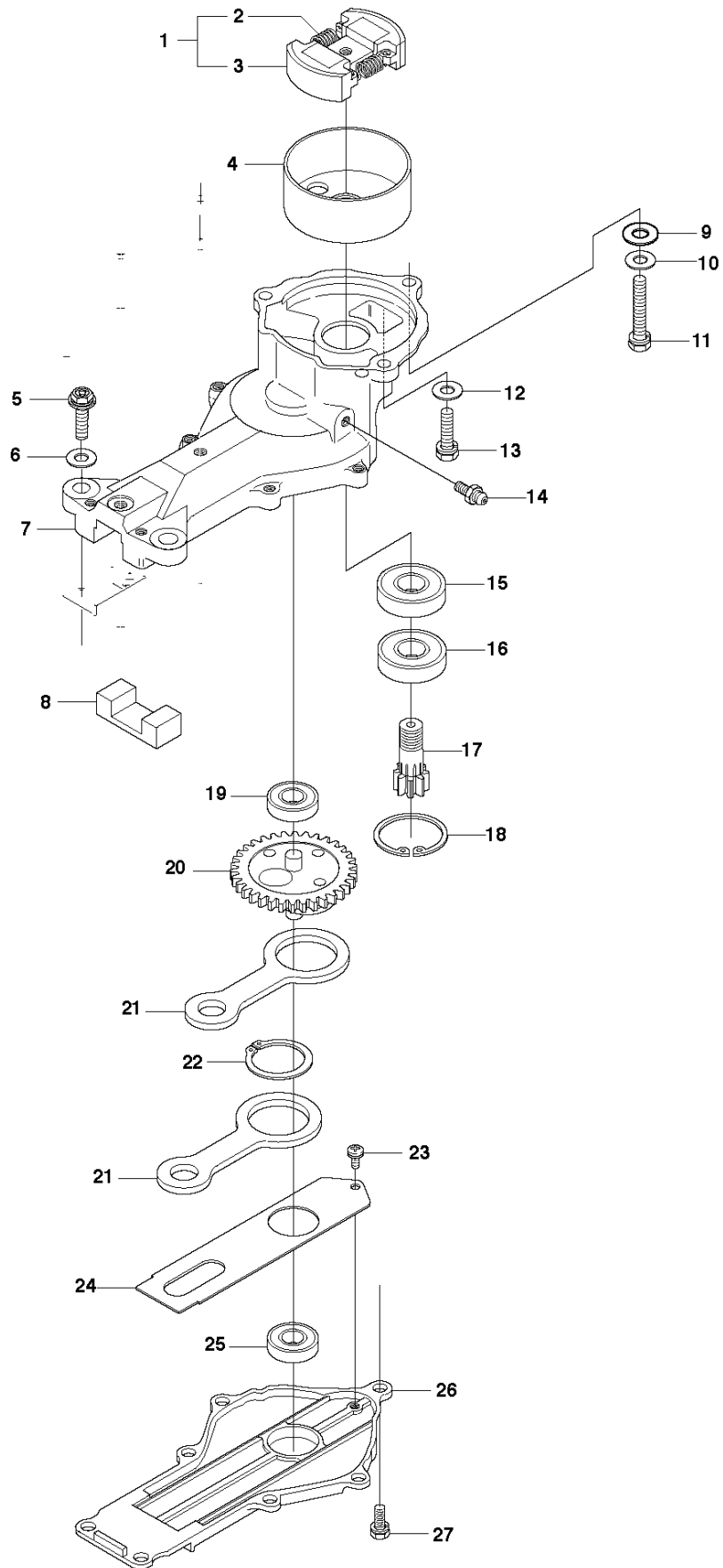


HANDLE & CONTROLS

HT2124, 2010-02

| Ref | Part No | Description | Remark | QTY KIT |
|-----|--------------|------------------|---------|---------|
| 1 | 537 28 00-07 | HANDLE ASSY | | 1 |
| 3 | 537 18 39-02 | THROTTLE LOCKOUT | | 1 |
| 4 | 506 01 44-05 | THROTTLE TRIGGER | | 1 |
| 5 | 503 71 82-01 | SWITCH | | 1 |
| 6 | 503 77 06-01 | RECOIL SPRING | HT2124T | 1 |
| 7 | 503 77 05-02 | LOCKING BUTTON | HT2124T | 1 |
| 8 | 537 19 78-02 | COVER | HT2124T | 1 |
| 9 | 734 11 25-41 | WASHER | | 1 |
| 10 | 503 21 29-06 | SCREW CCRPANT | | 1 |
| 11 | 503 79 15-02 | LATCH | HT2124T | 1 |
| 12 | 503 21 27-13 | SCREW CCRPANT | | 1 |
| 13 | 503 21 07-16 | SCREW IHST | | 3 |
| 14 | 544 11 07-02 | LABEL | US, AU | 1 |
| 14 | 544 05 76-02 | LABEL | EC | 1 |
| 15 | 544 30 29-01 | STAY | R | 1 |
| 16 | 503 20 07-10 | SCREW IHSCFM | | 2 |
| 17 | 537 08 08-01 | SPRING | | 2 |
| 18 | 544 30 28-01 | STAY | | 1 |
| 19 | 503 21 68-16 | SCREW IHST | | 2 |
| 20 | 537 08 07-01 | SPRING | | 2 |
| 21 | 503 20 07-10 | SCREW IHSCFM | | 2 |
| 22 | 740 44 16-00 | O-RING | | 1 |
| 23 | 503 21 06-22 | SCREW IHST | | 2 |
| 24 | 537 08 06-02 | SPRING | | 1 |
| 25 | 735 21 53-01 | LOCKWASHER | | 1 |
| 26 | 734 11 52-01 | WASHER | | 1 |
| 27 | 725 23 78-51 | SCREW EHHM | | 2 |
| 28 | 503 77 10-02 | FRONT HANDLE | | 1 |
| 29 | 503 77 09-02 | SECURING PLATE | | 1 |
| 30 | 531 00 48-29 | ATTACHMENT | | 1 |
| 31 | 531 00 78-44 | SHORTING LEAD | | 2 |
| 32 | 544 20 06-02 | WIRING ASSY | | 1 |

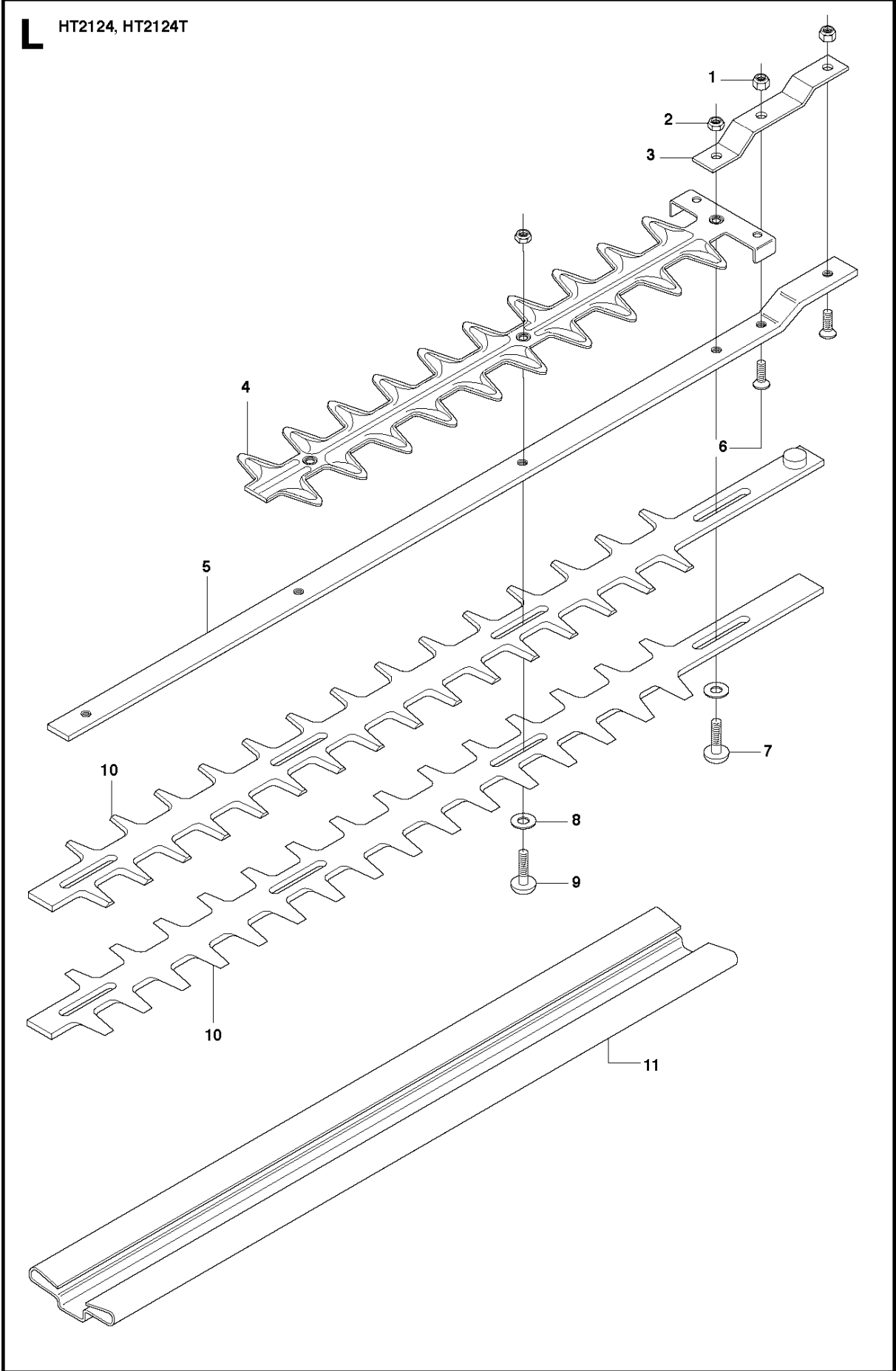
K HT2124, HT2124T



GEAR HOUSING

HT2124, 2010-02

| Ref | Part No | Description | Remark | QTY | KIT |
|-----|--------------|-------------|--------|-----|-----|
| 1 | 544 30 32-01 | CLUTCH ASSY | | 1 | |
| 2 | 544 30 37-01 | SPRING | | 2 | 1 |
| 3 | 544 30 35-01 | CLUTCH SHOE | | 2 | 1 |
| 4 | 544 29 82-01 | DRUM | | 1 | |
| 5 | 725 23 70-71 | SCREW EHHM | | 2 | |
| 7 | 544 29 95-01 | HOUSING | | 1 | |
| 8 | 544 30 24-01 | FELT | | 1 | |
| 9 | 734 11 52-01 | WASHER | | 1 | |
| 10 | 735 21 53-01 | LOCKWASHER | | 1 | |
| 11 | 725 23 76-51 | SCREW EHHM | | 1 | |
| 12 | 735 21 53-01 | LOCKWASHER | | 2 | |
| 13 | 725 23 70-71 | SCREW EHHM | | 2 | |
| 14 | 531 00 47-05 | NIPPLE | | 1 | |
| 15 | 544 30 50-01 | BEARING | | 1 | |
| 16 | 544 30 50-01 | BEARING | | 1 | |
| 17 | 544 29 96-01 | PINION | | 1 | |
| 18 | 544 30 22-01 | SNAP RING | | 1 | |
| 19 | 544 29 92-01 | BEARING | | 1 | |
| 20 | 544 30 01-01 | CRANK | | 1 | |
| 21 | 544 30 03-01 | ROD | | 2 | |
| 22 | 544 30 51-01 | SNAP RING | | 1 | |
| 23 | 544 30 27-01 | SCREW | | 1 | |
| 24 | 544 30 26-01 | PLATE | | 1 | |
| 25 | 544 29 92-01 | BEARING | | 1 | |
| 26 | 544 30 25-01 | HOUSING | | 1 | |
| 27 | 544 30 20-01 | SCREW | | 7 | |



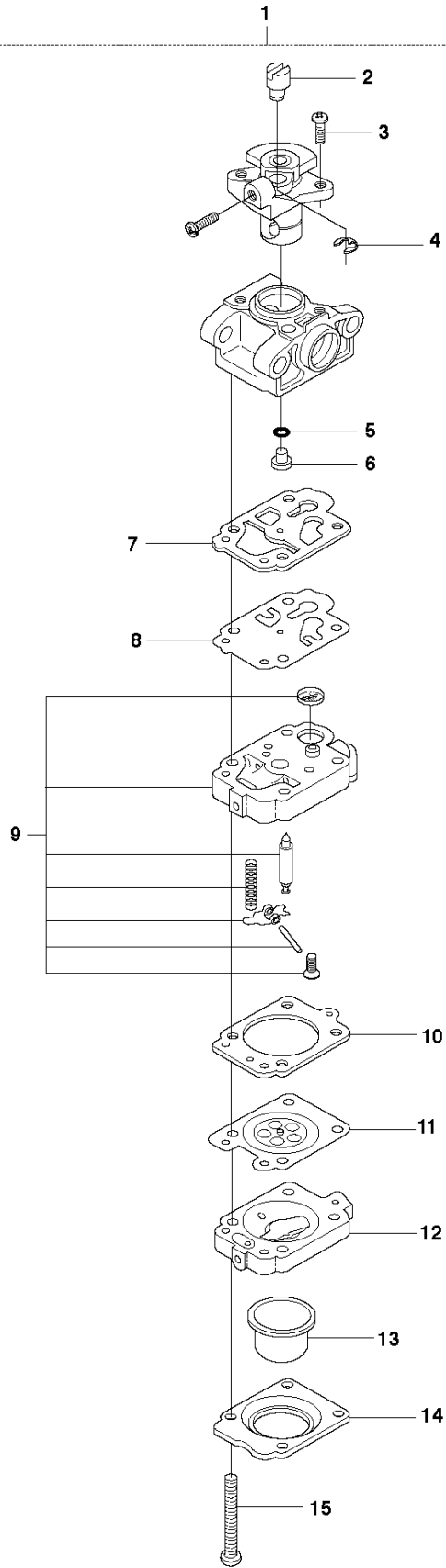
CUTTING EQUIPMENT

HT2124, 2010-02

| Ref | Part No | Description | Remark | QTY KIT |
|-----|--------------|--------------------------|----------------------------------|---------|
| 1 | 544 30 21-01 | NUT | | 2 |
| 2 | 544 30 52-01 | NUT | | 4 |
| 3 | 502 28 85-01 | PLATE | | 1 |
| 4 | 544 29 89-01 | BLADE GUARD HEDGETRIMMER | Changed design, now with 7 teeth | 1 |
| 5 | 544 30 05-01 | GUIDE PLATE | HT2124 | 1 |
| 5 | 504 04 40-01 | GUIDE PLATE | HT2124T | 1 |
| 6 | 502 28 86-01 | SCREW | | 2 |
| 7 | 531 00 47-17 | SCREW | | 1 |
| 8 | 531 00 47-15 | WASHER | | 4 |
| 9 | 531 00 47-16 | SCREW | | 3 |
| 10 | 544 30 18-01 | BLADE | HT2124, 1pc/package | 2 |
| 10 | 504 04 41-01 | BLADE | HT2124T, 1pc/package | 2 |
| 11 | 544 29 94-01 | TRANSPORT GUARD | HT2124 | 1 |
| 11 | 504 04 42-01 | COVER | HT2124T | 1 |

M HT2124, HT2124T

Walbro WYL

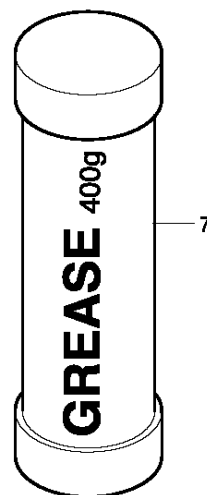
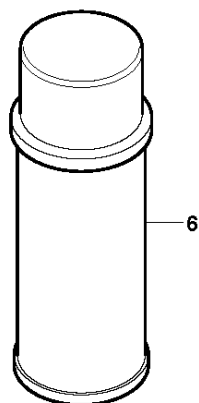
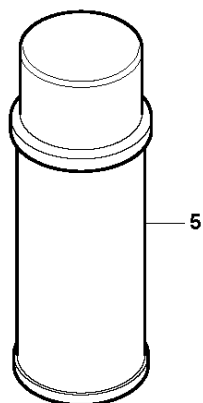
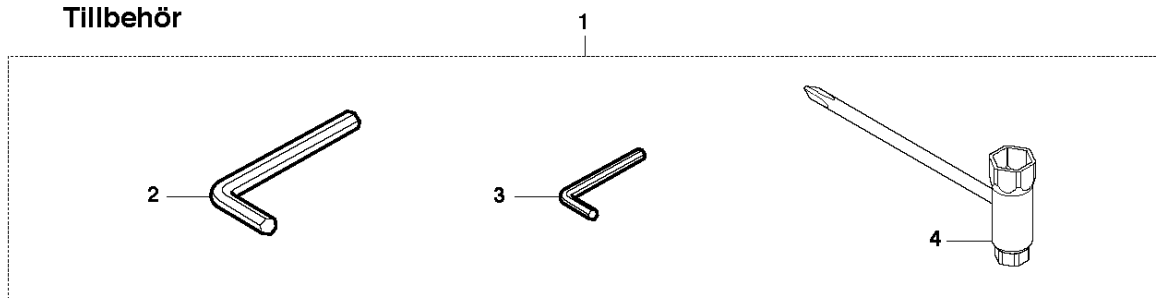


CARBURETOR

HT2124, 2010-02

| Ref | Part No | Description | Remark | QTY | KIT |
|-----|--------------|-----------------------|------------|-----|-----|
| 1 | 544 30 43-01 | CARBURETTOR | Walbro WYL | 1 | |
| 2 | 531 00 24-42 | CONNECTION | | 1 | 1 |
| 3 | 531 00 48-43 | RING | | 2 | 1 |
| 4 | 531 00 24-39 | CIRCLIP | | 1 | 1 |
| 5 | 531 00 77-91 | RING | | 1 | 1 |
| 6 | 544 29 80-01 | MAIN JET | | 1 | 1 |
| 7 | 531 00 48-36 | MOULDING | | 1 | 1 |
| 8 | 531 00 48-37 | SPÄNNHJUL | | 1 | 1 |
| 9 | 544 29 23-01 | PUMP HOUSING | | 1 | 1 |
| 10 | 531 00 77-94 | GASKET | | 1 | 1 |
| 11 | 544 29 59-01 | DIAPHRAGM CARBURETTOR | | 1 | 1 |
| 12 | 531 00 77-95 | HOUSING | | 1 | 1 |
| 13 | 531 00 24-36 | BULB | | 1 | 1 |
| 14 | 531 00 77-96 | PLATE | | 1 | 1 |
| 15 | 531 00 77-97 | SCREW | | 4 | 1 |

N HT2124, HT2124T
Accessories
Zubehöre
Accessoires
Accesorios
Tillbehör



ACCESSORIES

HT2124, 2010-02

| Ref | Part No | Description | Remark | QTY | KIT |
|-----|--------------|--------------------|--------|-----|-----|
| 1 | 504 04 46-01 | ACCESSORY BAG | | 1 | |
| 2 | 504 04 45-01 | HEX KEY | | 1 | 1 |
| 3 | 504 04 44-01 | HEX KEY | | 1 | 1 |
| 4 | 504 04 43-01 | COMBINATION WRENCH | | 1 | 1 |
| 5 | 531 00 75-13 | GREASE | UL22 | 1 | |
| 6 | 531 00 75-12 | GREASE | UL21 | 1 | |
| 7 | 531 00 92-05 | GREASE | | 1 | |