

LM2153 CMDA

Spare parts

Ersatzteile

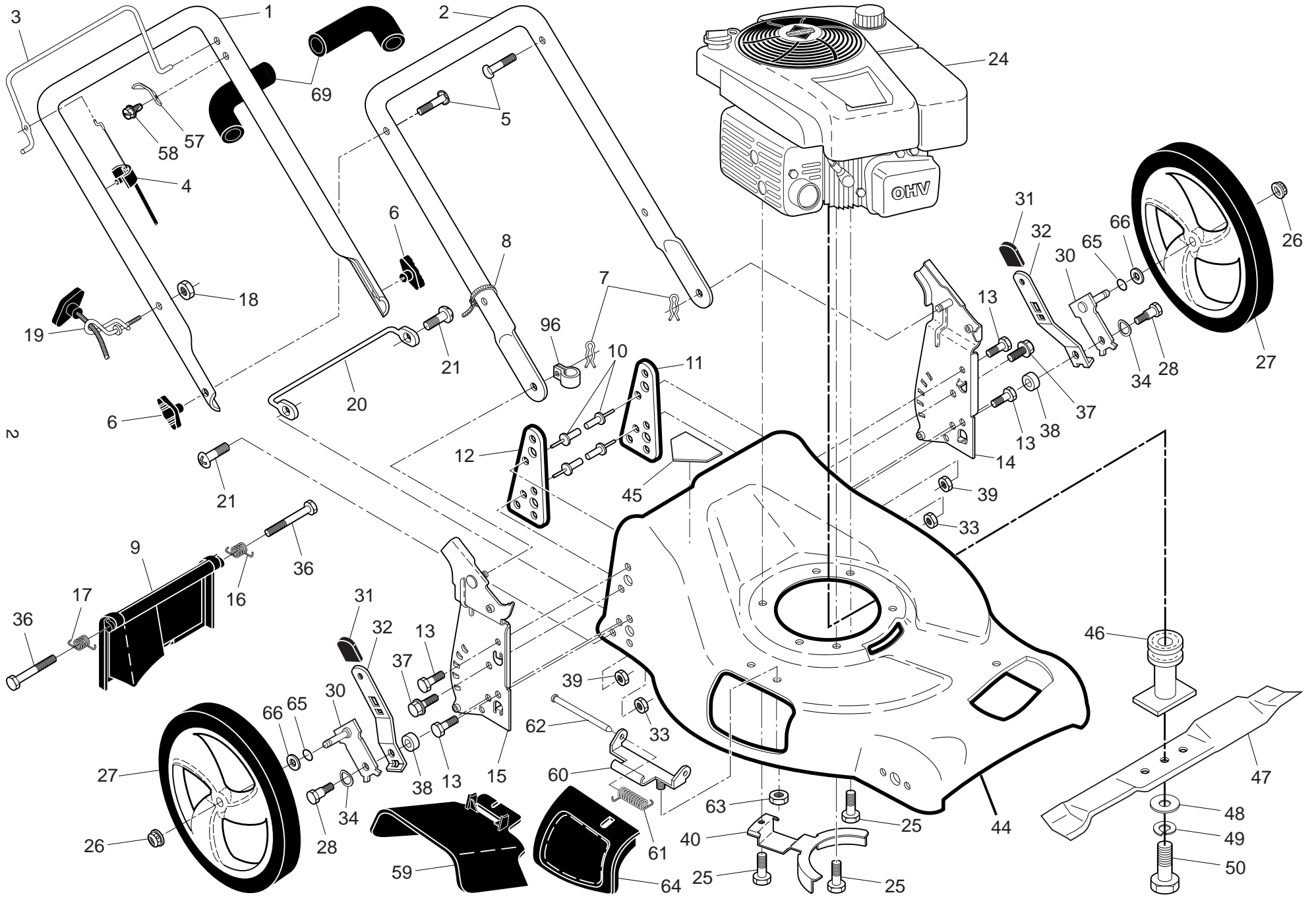
Pièces détachées

Reserve onderdelen

Repuestos

Reservdelar

ROTARY LAWN MOWER - - MODEL NUMBER LM 2153CMDA (96141022100) PRODUCT NO. 961 41 02-21



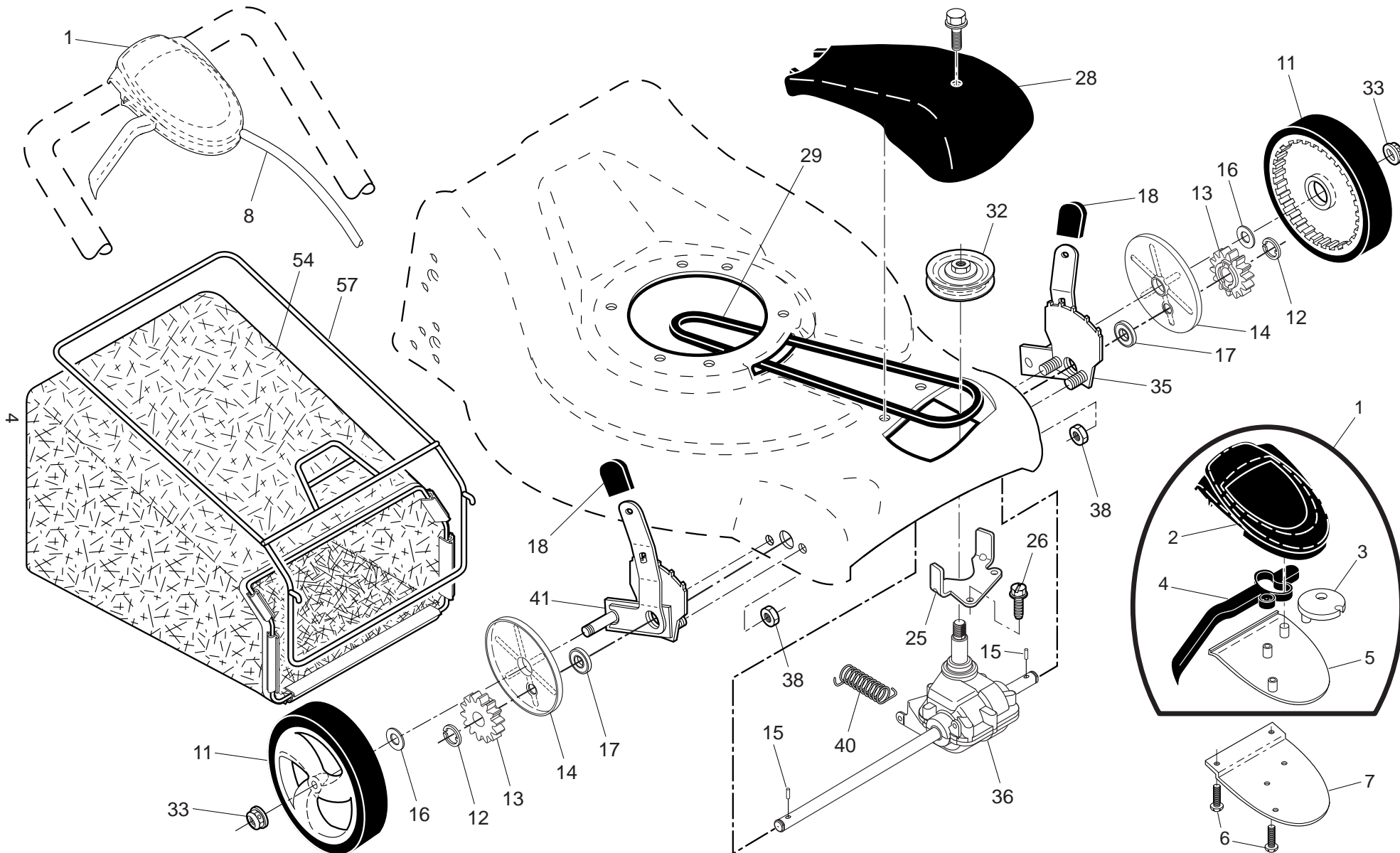
ROTARY LAWN MOWER - - MODEL NUMBER LM 2153CMDA (96141022100) PRODUCT NO. 961 41 02-21

KEY NO.	PART NO.	DESCRIPTION	KEY NO.	PART NO.	DESCRIPTION
1	532 18 45-76	Upper Handle Assembly (Includes Foam Grip)	33	873 80 05-00	Nut, Hex 5/16-18
2	532 15 36-05	Lower Handle	34	532 40 16-30	Washer, Curved, Cylindrical
3	532 42 65-05	Control Bar	36	532 18 41-93	Bolt
4	532 41 53-50	Engine Zone Control Cable	37	874 78 05-12	Thread Cutting Screw w/Sems 5/16-18 x 3/4
5	532 19 15-74	Handle Bolt	38	532 40 16-29	Spacer
6	532 19 19-38	Handle Knob	39	532 15 53-77	Nut, Hex, Flanged
7	532 05 17-93	Hairpin Cotter	40	532 43 50-59	Belt Keeper
8	532 06 64-26	Wire Tie	44	532 41 14-04	Kit, Lawn Mower Housing (Includes Key Numbers 10, 11, 12 and 45)
9	532 40 69-85	Rear Door	45	532 18 21-66	Danger Decal
10	532 12 84-15	Pop Rivet	46	532 43 22-79	Blade Adapter / Pulley
11	532 41 05-40	Support Bracket, LH	47	532 19 93-77	Blade, 21"
12	532 41 05-42	Support Bracket, RH	48	532 85 10-74	Hardened Washer
13	817 06 04-10	Screw 1/4-20 x 5/8	49	532 85 02-63	Helical Washer 3/8-24 x 1-3/8 Grade 8
14	532 41 78-12	Handle Bracket Assembly, LH	50	532 85 10-84	Hex Head Machine Screw 3/8-24 x 1-3/8 Grade 8
15	532 41 78-11	Handle Bracket Assembly, RH	57	532 43 00-34	Upstop Bracket
16	532 40 54-17	Spring, Rear Door, LH	58	532 75 06-34	Screw
17	532 40 54-18	Spring, Rear Door, RH	59	532 17 50-71	Discharge Deflector
18	532 13 20-04	Keps Locknut 1/4-20	60	532 17 57-35	Hinge Bracket
19	532 19 47-88	Rope Guide	61	532 19 30-00	Spring, Hinge
20	532 41 35-43	Foot Guard, C.E.	62	532 17 56-50	Hinge Rod
21	817 49 04-16	Screw, Tapping 1/4-20 x 1/2	63	873 80 04-00	Nut, Hex
24	- - -	Engine, Briggs, Model Number 12S902-1368- EA (order parts from engine manufacturer)	64	532 17 50-66	Mulcher Door
25	532 15 04-06	Hex Head Thread Rolling Screw 3/8-16 x 1-1/8	65	532 19 74-80	O-Ring
26	532 40 91-49	Hex Flange Nut	66	532 08 83-48	Washer, Flat 1/2
27	532 40 25-95	Wheel & Tire Assembly, Rear, 12"	69	532 18 27-48	Grip, Foam
28	532 40 16-38	Shoulder Bolt 5/16-18 x .33	96	532 19 79-91	Clip, Cable
30	532 41 31-41	Axle Arm Assembly	--	532 43 16-73	Operator's Manual, European
31	532 70 10-37	Selector Knob	--	532 43 16-74	Operator's Manual, Scandinavian
32	532 40 98-89	Selector Spring	--	532 43 16-77	Operator's Manual, E-Bloc
			--	532 43 16-75	Operator's Manual, Baltic

3

NOTE: All component dimensions given in U.S. inches. 1 inch = 25.4 mm. **IMPORTANT:** Use only Original Equipment Manufacturer (O.E.M.) replacement parts. Failure to do so could be hazardous, damage your lawn mower and void your warranty.

ROTARY LAWN MOWER - - MODEL NUMBER LM 2153CMDA (96141022100) PRODUCT NO. 961 41 02-21



ROTARY LAWN MOWER - - MODEL NUMBER **LM 2153CMDA** (96141022100) PRODUCT NO. 961 41 02-21

KEY NO.	PART NO.	DESCRIPTION	KEY NO.	PART NO.	DESCRIPTION
1	532 42 52-16	Drive Control Assembly (Includes Cable)	25	532 41 16-63	Belt Keeper
2	532 41 35-42	Cover, Drive Control, Upper	26	532 16 34-09	Screw
3	532 40 62-62	Pulley	27	532 17 52-62	Screw, Pan Head, Self-Tapping #10-24 x 2-3/4
4	532 19 00-38	Lever, Drive Control	28	532 43 26-62	Drive Cover
5	532 41 35-41	Cover, Drive Control, Lower	29	532 19 41-49	V-Belt
6	532 18 16-98	Screw	32	532 19 40-18	Drive Pulley
7	532 40 07-23	Bracket, Drive	33	532 40 91-48	Locknut, Hex
8	532 40 62-59	Cable Assembly, Drive	35	532 42 42-01	Kit, Wheel Adjuster, LH (Includes Knob and Bearing)
11	532 40 25-67	Wheel & Tire Assembly	36	532 40 48-33	Gearcase Assembly, Complete
12	812 00 00-58	E-Ring	38	873 80 04-00	Locknut, Hex 1/4-20
13	532 40 38-49	Pinion	40	532 40 65-58	Spring
14	532 18 94-03	Dust Cover	41	532 42 42-00	Kit, Wheel Adjuster, RH (Includes Knob and Bearing)
15	532 40 48-45	Pawl, Drive	54	532 19 48-53	Grassbag Assembly
16	532 06 77-25	Washer 1/2 x 1-1/2 x .134	57	532 41 19-50	Frame, Grassbag
17	532 19 10-39	Bearing, Wheel Adjuster			
18	532 70 10-37	Selector Knob			

01

NOTE: All component dimensions given in U.S. inches. 1 inch = 25.4 mm. **IMPORTANT:** Use only Original Equipment Manufacturer (O.E.M.) replacement parts. Failure to do so could be hazardous, damage your lawn mower and void your warranty.