

LM2156 CMDA

Spare parts

Ersatzteile

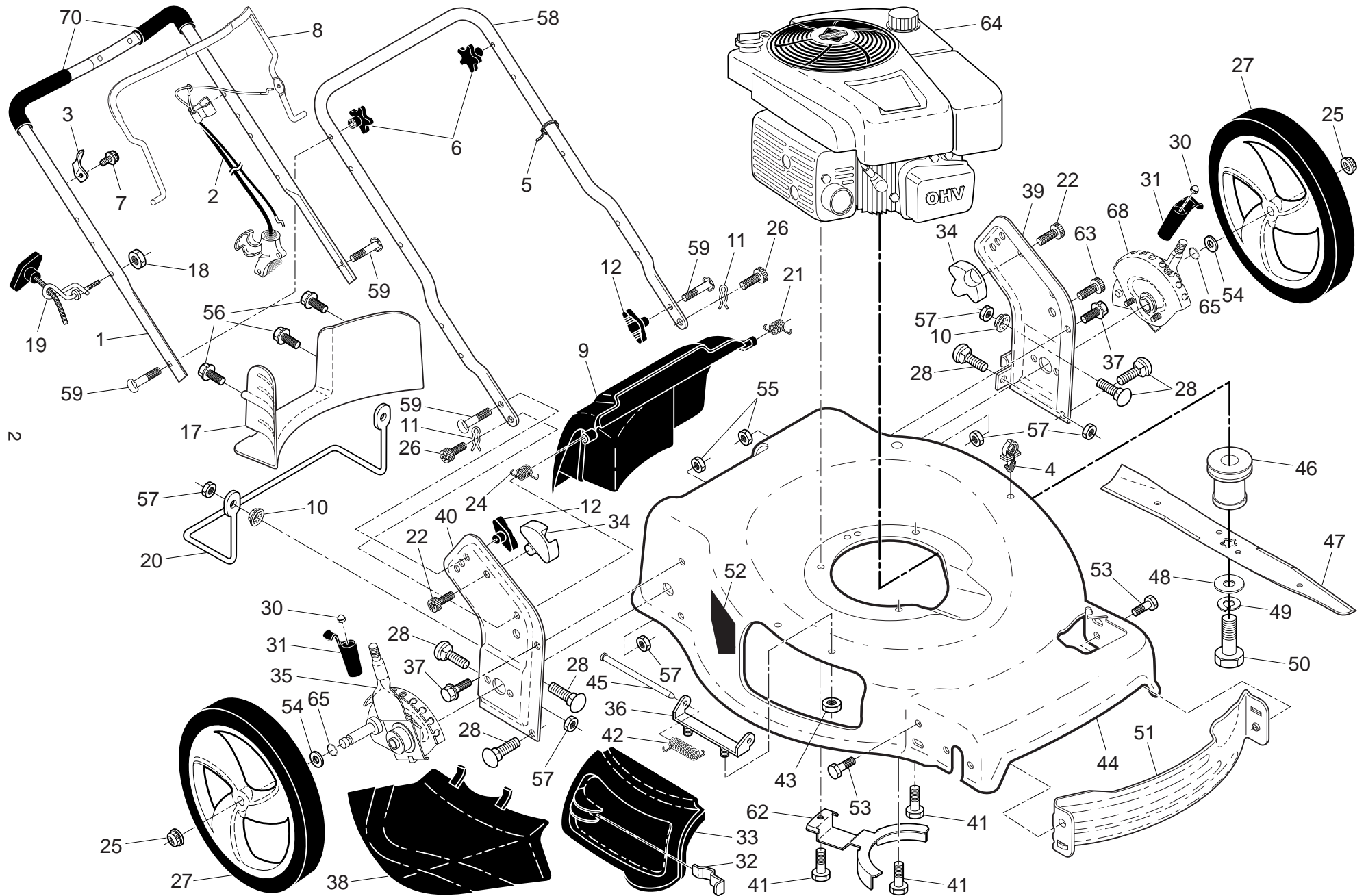
Pièces détachées

Reserve onderdelen

Repuestos

Reservdelar

ROTARY LAWN MOWER - - MODEL NUMBER LM 2156CMDA (96141022300) PRODUCT NO. 961 41 02-23



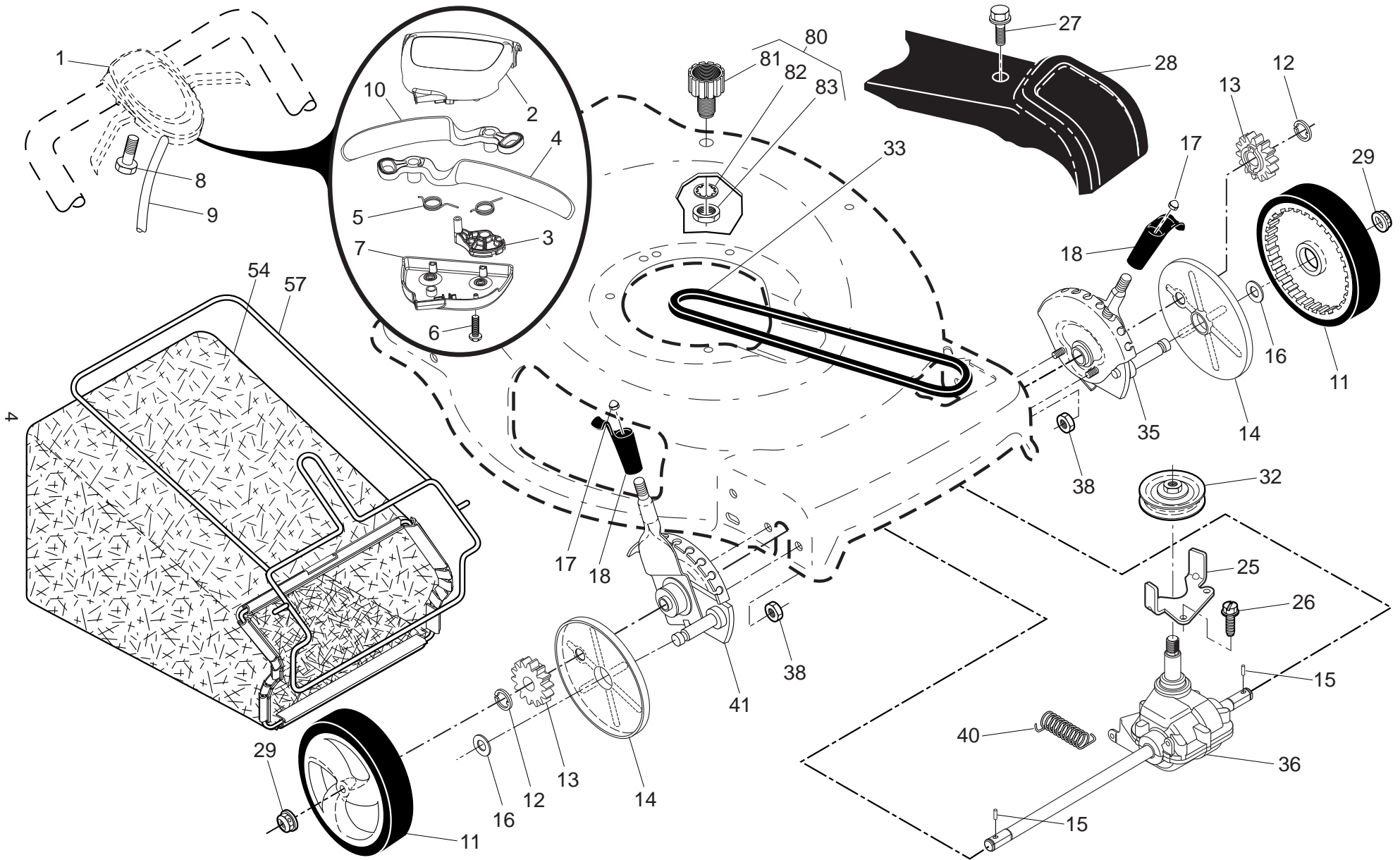
ROTARY LAWN MOWER - - MODEL NUMBER **LM 2156CMDA** (96141022300) PRODUCT NO. 961 41 02-23

KEY NO.	PART NO.	DESCRIPTION	KEY NO.	PART NO.	DESCRIPTION
1	532 18 45-76	Upper Handle Assembly (Includes Foam Grip)	39	532 43 00-39	Handle Bracket, LH
2	532 42 96-43	Cable, Engine Zone Control / Rear Door Prop	40	532 43 00-33	Handle Bracket, RH
3	532 43 00-34	Bracket, Upstop	41	532 15 04-06	Screw, Dogpoint 3/8-16 x 1-1/8
4	532 14 50 06	Guide, Cable	42	532 19 30-00	Spring, Torsion
5	532 06 64 26	Wire Tie	43	532 19 17-30	Nut, Hex, Nylock
6	532 18 23-98	Handle Knob, Star	44	532 43 06-72	Kit, Lawn Mower Housing
7	532 75 06-34	Screw #10-24 x 1/2	45	532 17 56-50	Rod, Hinge
8	532 42 65-05	Control Bar	46	532 42 17-82	Blade Adapter / Pulley
9	532 42 63-00	Rear Door Assembly	47	532 42 27-06	Blade, 22"
10	532 42 30-63	Palnut 5/16"	48	532 85 10-74	Washer, Hardened
11	532 42 55-75	Hairpin, Door/Handle Pivot	49	532 85 02-63	Washer, Helical
12	532 19 19-38	Handle Knob, Standard	50	532 85 10-84	Screw, Machine, Hex Head 3/8-24 x 1-3/8 Grade 8
17	532 42 73-07	Rear Baffle	51	532 41 99-43	Front Baffle
18	532 13 20-04	Keps Locknut 1/4-20	52	532 40 47-63	Decal, Danger
19	532 19 47-88	Rope Guide	53	817 00 05-10	Screw, Semi-Gimlett Point 1/4-20 x 1/2
20	532 42 24-67	Foot Guard	54	532 08 83-48	Washer, Flat
21	532 41 99-49	Spring, Rear Door, LH, Black	55	532 19 17-30	Nut, Hex, Flanged 1/4-20
22	532 14 18-41	Screw, Panhead, Torx #20	56	817 41 13-12	Screw, Hex Washer Head #13 x 3/4
24	532 41 99-48	Spring, Rear Door, RH, Grey	57	532 15 53-77	Nut, Hex 3/8-16
25	532 40 91-49	Nut, Hex, Flanged	58	532 42 60-72	Lower Handle
26	532 41 99-45	Screw, Door/Handle Pivot	59	532 19 15-74	Handle Bolt
27	532 43 27-47	Wheel & Tire Assembly, Rear	62	532 42 57-11	Belt Retainer
28	872 25 05-05	Bolt, Carriage 5/16-18 x 5/8	63	532 17 88-48	Screw #10-16 x 5/8
30	532 41 38-08	Nut, Push	64	- - -	Engine, Briggs & Stratton, Model Number 12S902-1368-EA (order parts from Engine manufacturer)
31	532 43 18-93	Selector Knob	65	532 19 74-80	O-Ring
32	532 41 99-44	Latch, Mulcher Door	68	532 43 11-34	Kit, Wheel Adjuster, Rear, LH (Includes Knob and Pushnut)
33	532 42 33-56	Mulcher Door	70	532 18 27-48	Grip, Foam
34	532 42 61-25	Pivot Bracket	--	532 43 04-13	Operator's Manual, European
35	532 43 11-30	Kit, Wheel Adjuster, Rear, RH (Includes Knob and Pushnut)	--	532 43 04-15	Operator's Manual, Scandinavian
36	532 17 57-35	Hinge Bracket Assembly	--	532 43 04-14	Operator's Manual, East Bloc
37	532 42 88-67	Screw, Sems, Thread Cutting 5/16-18 x 3/4	--	532 43 04-16	Operator's Manual, Baltic
38	532 42 61-29	Discharge Deflector			

NOTE: All component dimensions given in U.S. inches. 1 inch = 25.4 mm

IMPORTANT: Use only Original Equipment Manufacturer (O.E.M.) replacement parts. Failure to do so could be hazardous, damage your lawn mower and void your warranty.

ROTARY LAWN MOWER - - MODEL NUMBER **LM 2156CMDA** (96141022300) PRODUCT NO. 961 41 02-23



ROTARY LAWN MOWER - - MODEL NUMBER **LM 2156CMDA** (96141022300) PRODUCT NO. 961 41 02-23

KEY PART NO.	PART NO.	DESCRIPTION	KEY PART NO.	PART NO.	DESCRIPTION
1	532 43 06-52	Drive Control Assembly (Includes Cable)	26	532 16 34-09	Screw, Hi-Lo Thread #12 x 5/8
2	532 42 96-31	Cover, Drive Control, Upper	28	532 43 26-75	Drive Cover Assembly (Includes Mounting Screw and Pushnut)
3	532 42 03-78	Cam	29	532 40 91-48	Locknut, Hex
4	532 43 38-07	Lever, Drive Control, LH	32	532 19 40-18	Drive Pulley
5	532 42 03-81	Spring	33	532 42 66-09	V-Belt
7	532 42 61-34	Cover, Drive Control, Lower	35	532 43 11-24	Kit, Wheel Adjuster, Front, LH (Includes Black Knob and Pushnut)
8	532 17 88-48	Screw	36	532 42 46-57	Gear Case Assembly, Complete
9	532 42 74-26	Cable, Drive Control	38	532 19 17-30	Locknut, Hex 1/4-20
10	532 43 32-98	Lever, Drive Control, RH	40	532 40 65-58	Spring
11	532 40 25-67	Wheel & Tire Assembly, Front	41	532 43 11-21	Kit, Wheel Adjuster, Front, RH (Includes Black Knob and Pushnut)
12	812 00 00-58	E-Ring	54	532 42 25-05	Grassbag
13	532 40 38-49	Pinion	57	532 41 99-51	Frame, Grassbag
14	532 18 94-03	Dust Cover	80	532 42 11-14	Water Washout Assembly
15	532 40 48-45	Pawl, Drive	81	532 41 97-35	Fitting, Water Washout
16	532 06 77-25	Washer, Flat 3/8	82	532 41 55-85	Washer, Lock, Internal Tooth
17	532 41 38-08	Nut, Push	83	532 41 55-86	Locknut, Hex, with O-Ring
18	532 43 18-95	Selector Knob			
20	532 18 16-98	Screw			
25	532 43 17-11	Belt Keeper			

NOTE: All component dimensions given in U.S. inches. 1 inch = 25.4 mm

IMPORTANT: Use only Original Equipment Manufacturer (O.E.M.) replacement parts. Failure to do so could be hazardous, damage your lawn mower and void your warranty.