

IPL, LM 2147 CM, 2010-10, V390000014

966662701

LM 2147 CM

Spare parts

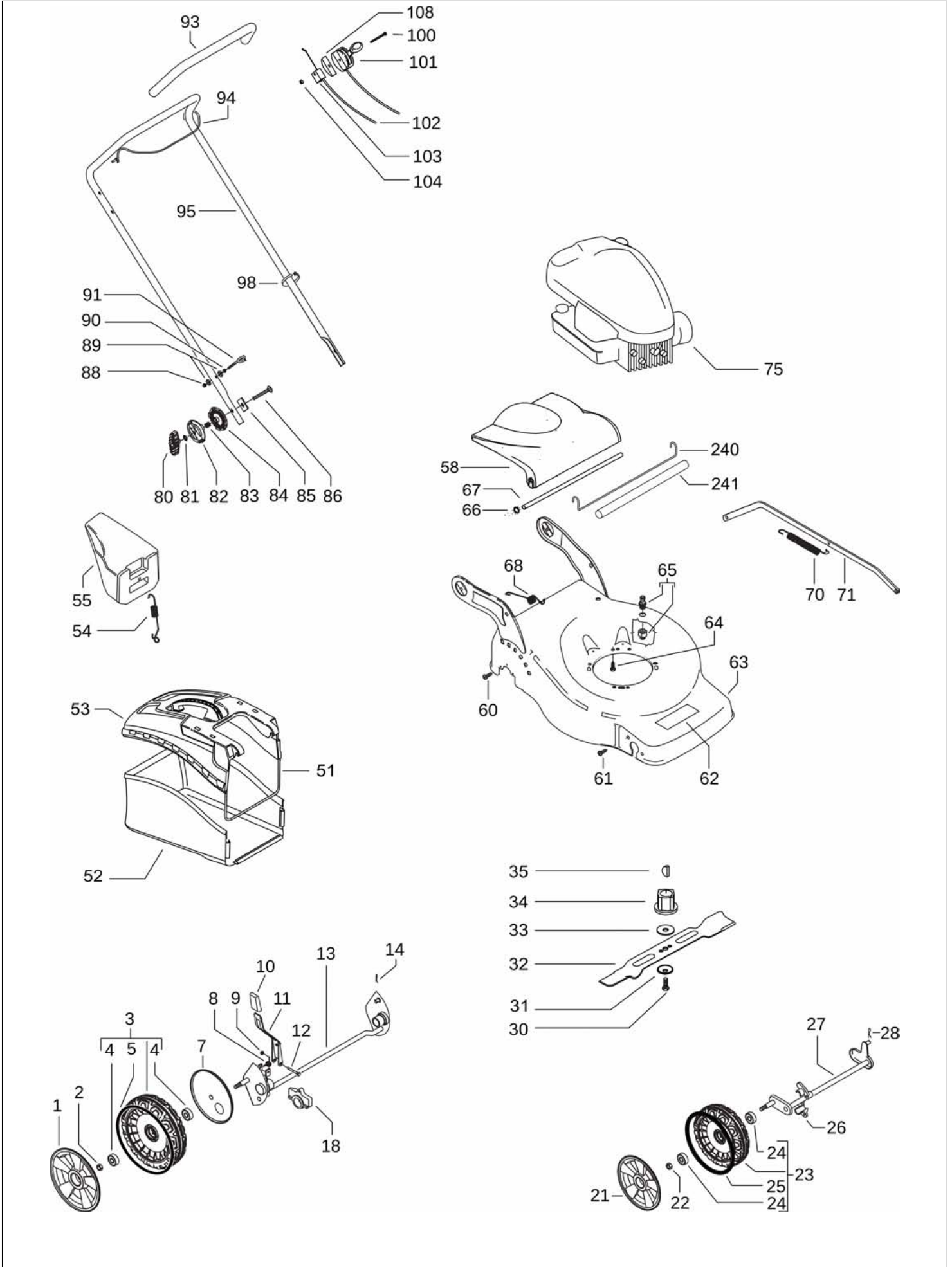
Ersatzteile

Pièces détachées

Reserve onderdelen

Repuestos

Reservdelar



Item	PN	Description	Qty
1	544 44 61-01	wheel cover Ø210	2
2	504 85 78-01	nut M8, self locking, flanged	2
3	502 44 56-03	wheel assy Ø210	2
4	504 54 82-01	ball bearing	2
5	544 43 28-03	o-ring, wheel Ø210	2
7	504 82 73-01	dust shield Ø210	2
8	531 21 08-17	spring, wheel regulator lever	1
9	531 20 84-92	nut M5, self locking	1
10	531 20 79-86	handle, wheel regulator	1
11	501 97 99-01	wheel regulator lever	1
12	538 23 58-07	screw M5x45	1
13	504 80 01-01	rear axle	1
14	531 20 66-53	cotter pin	1
18	531 20 59-44	rear axle housing	2
21	544 44 59-01	wheel cover Ø190	1
22	504 85 78-01	nut M8, self locking, flanged	2
23	502 44 50-03	wheel assy Ø190	2
24	504 54 82-01	ball bearing	2
25	544 43 31-03	o-ring, wheel Ø190	2
26	531 20 50-57	front axle housing	4
27	504 85 65-01	front axle	1
28	531 20 66-53	cotter pin	1
30	531 20 80-08	screw, 3/8"	1
31	531 20 72-37	spring washer	1
32	531 21 10-17	mulching blade	1
33	531 20 72-43	washer	1
34	531 20 72-42	blade support	1
35	505 29 09-01	key	1
51	574 86 94-01	sack frame	1
52	574 86 96-01	sack	1
53	574 61 03-01	hard top	1
54	531 21 11-84	spring, mulching plug	1
55	531 21 06-17	mulching plug	1
58	574 61 02-01	safety flap	1
60	531 20 82-16	screw 5x16, self threading	2
61	531 20 88-44	screw 4.3x16, self threading	4
62	531 21 29-34	label, Jonsered	1
63	521 94 87-42	deck	1
64	531 21 28-51	screw 3/8" + split washer	3
65	531 20 58-48	snap on connector 1/2"	1
66	531 20 76-57	star lock washer	2
67	531 21 14-41	safety flap bar	1
68	531 21 18-40	spring	1
70	531 21 37-83	wheel regulation spring	1
71	531 20 50-69	wheel regulation bar	1
75	———	engine, Briggs & Stratton, model number 126T024837	1
80	531 20 58-40	handle	2
81	531 20 49-22	washer	2
82	531 21 14-74	locking disc, outer	2
83	531 21 14-76	spring	2
84	531 21 14-73	locking disc, inner	2
85	531 21 15-81	plate	2
86	531 21 14-80	screw M8x55	2
88	531 20 84-91	nut M6 self	2
89	531 20 49-61	washer	4

Item	PN	Description	Qty
90	531 20 71-65	nut M6	2
91	531 20 51-69	starter cable guide	2
93	531 21 07-25	handle sheat	1
94	531 21 20-63	brake lever	1
95	531 21 20-60	handle	1
99	531 20 55-81	binder	2
100	531 21 35-17	screw M6x80	1
101	504 86 82-01	accelerator lever and cable	1
102	531 21 35-22	brake cable	1
103	531 20 80-43	cable support	1
104	531 20 84-91	nut M6	1
108	504 86 82-02	plate	1
240	578 32 30-01	wire, grass seal	1
241	578 32 18-01	grass seal	1