

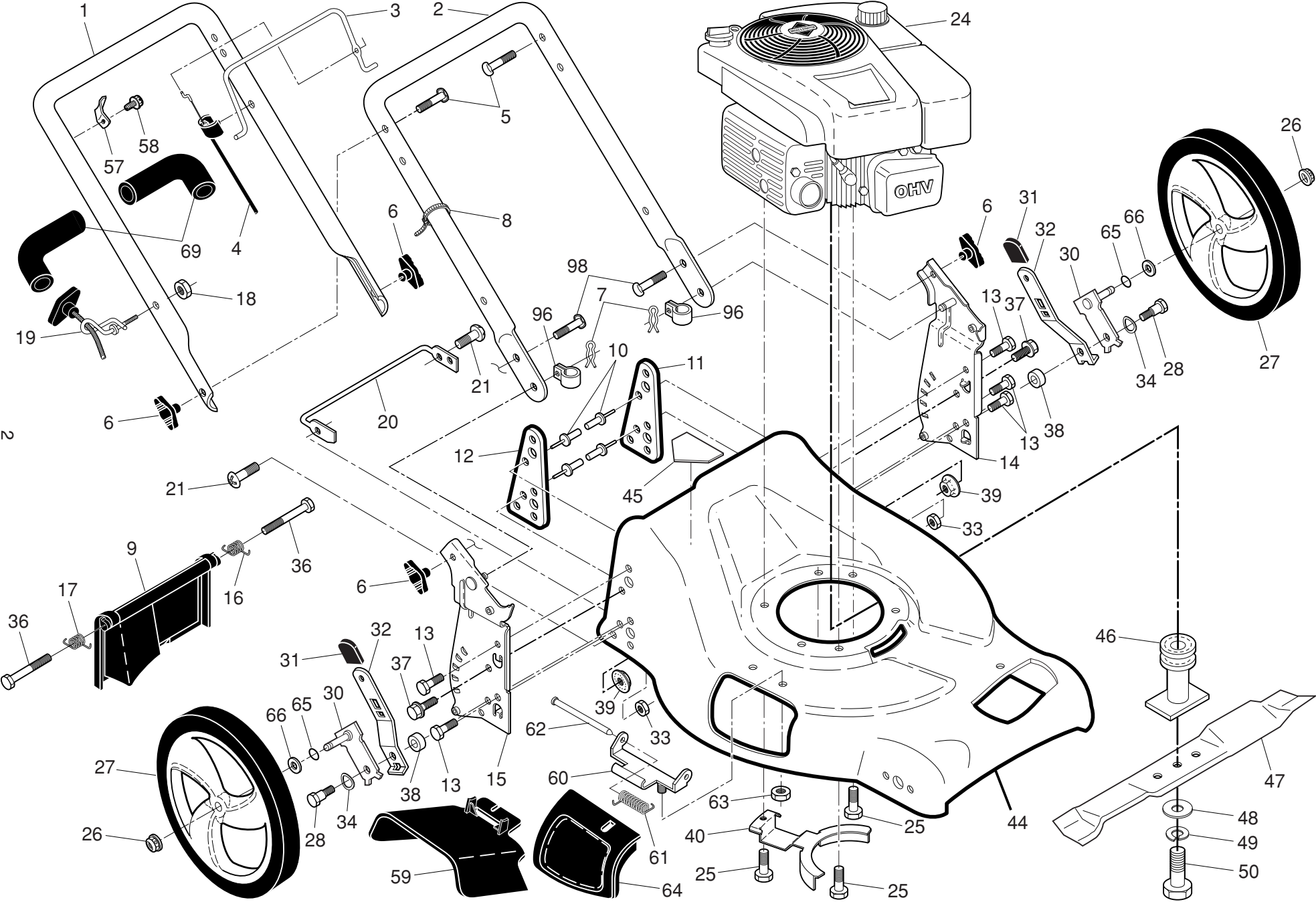
ILLUSTRATED PARTS LIST

MODEL NUMBER LM 2153CMDA

PRODUCT NUMBER 961 41 02-21

MFG. ID. NUMBER 96141022104

JONSERED ROTARY LAWN MOWER - MODEL NO. LM 2153CMDA (96141022104) PRODUCT NO. 961 41 02-21

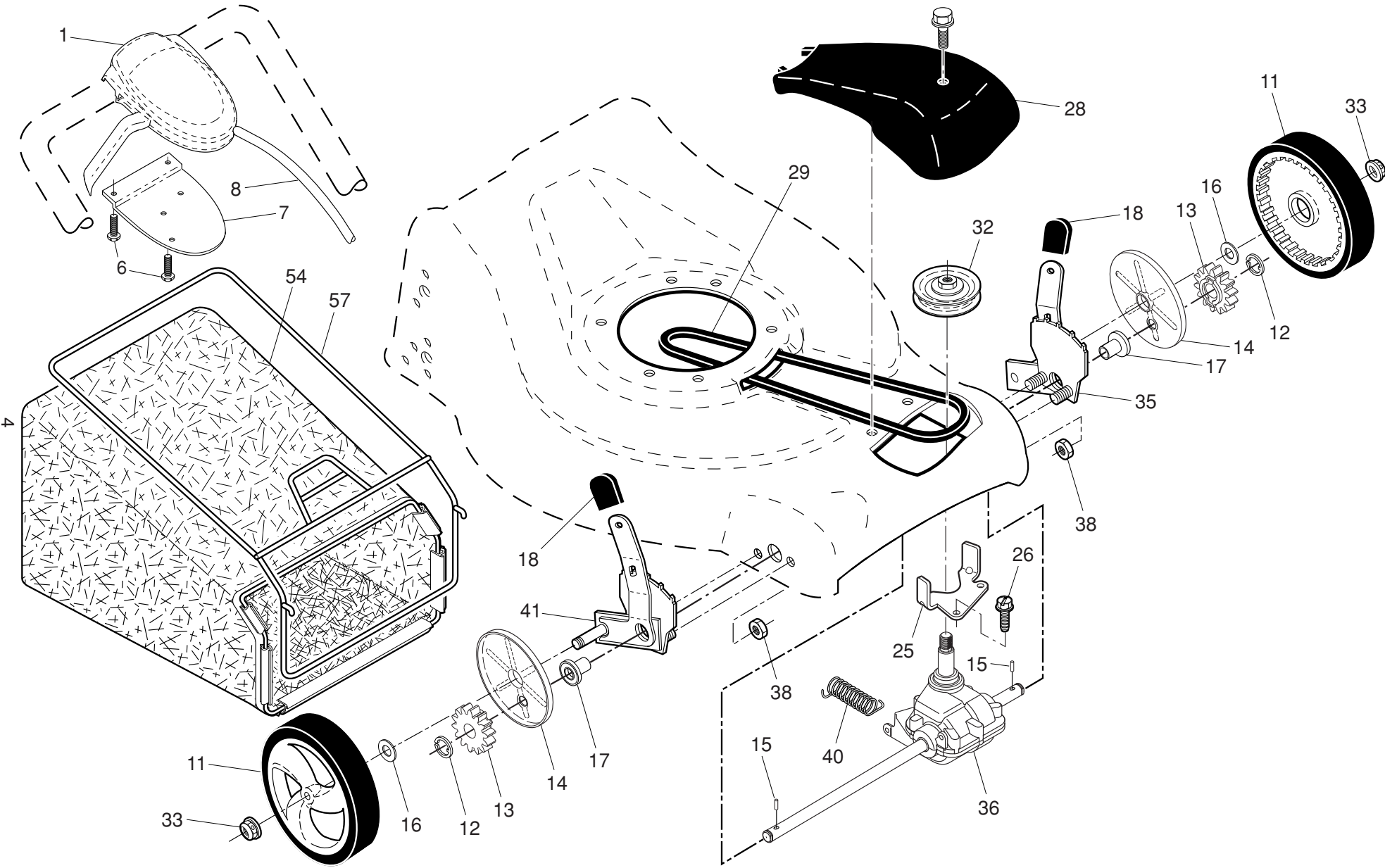


JONSERED ROTARY LAWN MOWER - MODEL NO. LM 2153CMDA (96141022104) PRODUCT NO. 961 41 02-21

KEY NO.	PART NO.	DESCRIPTION	KEY NO.	PART NO.	DESCRIPTION
1	532 18 45-76	Upper Handle Assembly (Includes Foam Grip)	34	532 40 16-30	Washer, Curved, Cylindrical
2	532 43 45-14	Lower Handle	36	532 18 41-93	Bolt
3	532 42 65-05	Control Bar	37	874 78 05-12	Thread Cutting Screw w/Sems 5/16-18 x 3/4
4	532 41 53-50	Engine Zone Control Cable	38	532 40 16-29	Spacer
5	532 19 15-74	Handle Bolt	39	532 15 53-77	Nut, Hex, Flanged
6	532 19 19-38	Handle Knob	40	532 43 50-59	Belt Keeper
7	532 05 17-93	Hairpin Cotter	44	532 43 90-57	Kit, Lawn Mower Housing (Includes Key Numbers 10, 11, 12 and 45)
8	532 06 64-26	Wire Tie	45	532 18 21-66	Danger Decal
9	532 40 69-85	Rear Door	46	532 43 22-79	Blade Adapter / Pulley
10	532 12 84-15	Pop Rivet	47	532 19 93-77	Blade, 21"
11	532 41 05-40	Support Bracket, LH	48	532 85 10-74	Hardened Washer
12	532 41 05-42	Support Bracket, RH	49	532 85 02-63	Helical Washer 3/8-24 x 1-3/8 Grade 8
13	817 06 04-10	Screw 1/4-20 x 5/8	50	532 85 10-84	Hex Head Machine Screw 3/8-24 x 1-3/8 Grade 8
14	532 43 45-13	Handle Bracket Assembly, LH	57	532 43 00-34	Upstop Bracket
15	532 43 45-12	Handle Bracket Assembly, RH	58	532 17 88-48	Screw, Hex Washer Head #10-16 x 5/8
16	532 40 54-17	Spring, Rear Door, LH	59	532 17 50-71	Discharge Deflector
17	532 40 54-18	Spring, Rear Door, RH	60	532 17 57-35	Hinge Bracket
18	532 13 20-04	Keps Locknut 1/4-20	61	532 19 30-00	Spring, Hinge
19	532 19 47-88	Rope Guide	62	532 17 56-50	Hinge Rod
20	532 43 61-19	Foot Guard, C.E.	63	873 80 04-00	Nut, Hex
21	817 49 04-16	Screw, Tapping 1/4-20 x 1/2	64	532 17 50-66	Mulcher Door
24	---	Engine, Briggs, Model Number 125902-0110-H1 (order parts from engine manufacturer)	65	532 19 74-80	O-Ring
25	532 15 04-06	Hex Head Thread Rolling Screw 3/8-16 x 1-1/8	66	532 08 83-48	Washer, Flat 1/2
26	532 40 91-49	Hex Flange Nut	69	532 18 27-48	Grip, Foam
27	532 43 27-47	Wheel & Tire Assembly, Rear, 12"	96	532 19 79-91	Clip, Cable
28	532 40 16-38	Shoulder Bolt 5/16-18 x .33	98	872 25 05-05	Bolt
30	532 41 31-41	Axle Arm Assembly	--	532 43 16-73	Operator's Manual, European
31	532 70 10-37	Selector Knob	--	532 43 16-74	Operator's Manual, Scandinavian
32	532 40 98-89	Selector Spring	--	532 43 16-77	Operator's Manual, E-Bloc
33	873 80 05-00	Nut, Hex 5/16-18	--	532 43 16-75	Operator's Manual, Baltic

NOTE: All component dimensions given in U.S. inches. 1 inch = 25.4 mm. **IMPORTANT:** Use only Original Equipment Manufacturer (O.E.M.) replacement parts. Failure to do so could be hazardous, damage your lawn mower and void your warranty.

JONSERED ROTARY LAWN MOWER - MODEL NO. LM 2153CMDA (96141022104) PRODUCT NO. 961 41 02-21



JONSERED ROTARY LAWN MOWER - MODEL NO. **LM 2153CMDA** (96141022104) PRODUCT NO. 961 41 02-21

KEY NO.	PART NO.	DESCRIPTION	KEY NO.	PART NO.	DESCRIPTION
1	532 42 52-16	Drive Control Assembly (Includes Cable)	26	532 16 34-09	Screw
6	532 18 16-98	Screw	28	532 43 26-62	Drive Cover Assembly (Includes Mounting Screw and Pushnut)
7	532 40 07-23	Bracket, Drive	29	532 19 41-49	V-Belt
8	532 40 62-59	Cable Assembly, Drive	32	532 44 32-62	Drive Pulley
11	532 40 25-67	Wheel & Tire Assembly	33	532 40 91-48	Locknut, Hex
12	812 00 00-58	E-Ring	35	532 43 84-85	Kit, Wheel Adjuster, LH (Includes Knob and Bearing)
13	532 40 38-49	Pinion	36	532 40 48-33	Gearcase Assembly, Complete
14	532 18 94-03	Dust Cover	38	873 80 04-00	Locknut, Hex 1/4-20
15	532 40 48-45	Pawl, Drive	40	532 40 65-58	Spring
16	532 06 77-25	Washer 1/2 x 1-1/2 x .134	41	532 43 84-86	Kit, Wheel Adjuster, RH (Includes Knob and Bearing)
17	532 42 18-36	Bearing Assembly, Wheel Adjuster	54	532 19 48-53	Grassbag Assembly
18	532 70 10-37	Selector Knob	57	532 41 19-50	Frame, Grassbag
25	532 43 17-11	Belt Keeper			

5

NOTE: All component dimensions given in U.S. inches. 1 inch = 25.4 mm. **IMPORTANT:** Use only Original Equipment Manufacturer (O.E.M.) replacement parts. Failure to do so could be hazardous, damage your lawn mower and void your warranty.