

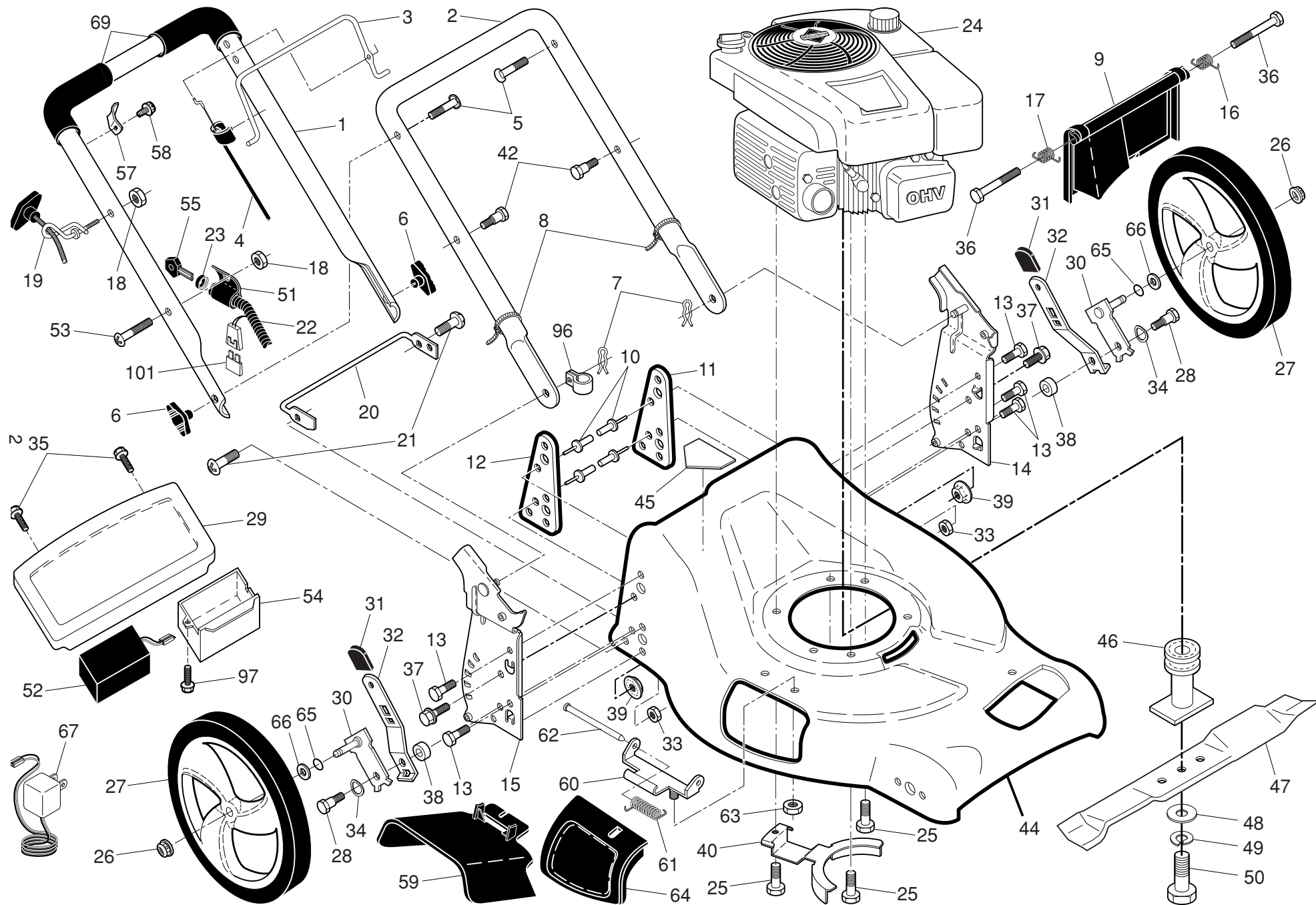
**ILLUSTRATED PARTS LIST**

**MODEL NUMBER LM 2153CMDAE**

**PRODUCT NUMBER 961 41 02-22**

**MFG. ID. NUMBER 96141022204**

**ROTARY LAWN MOWER - MODEL NUMBER LM 2153CMDAE (96141022204) PRODUCT NO. 961 41 02-22**

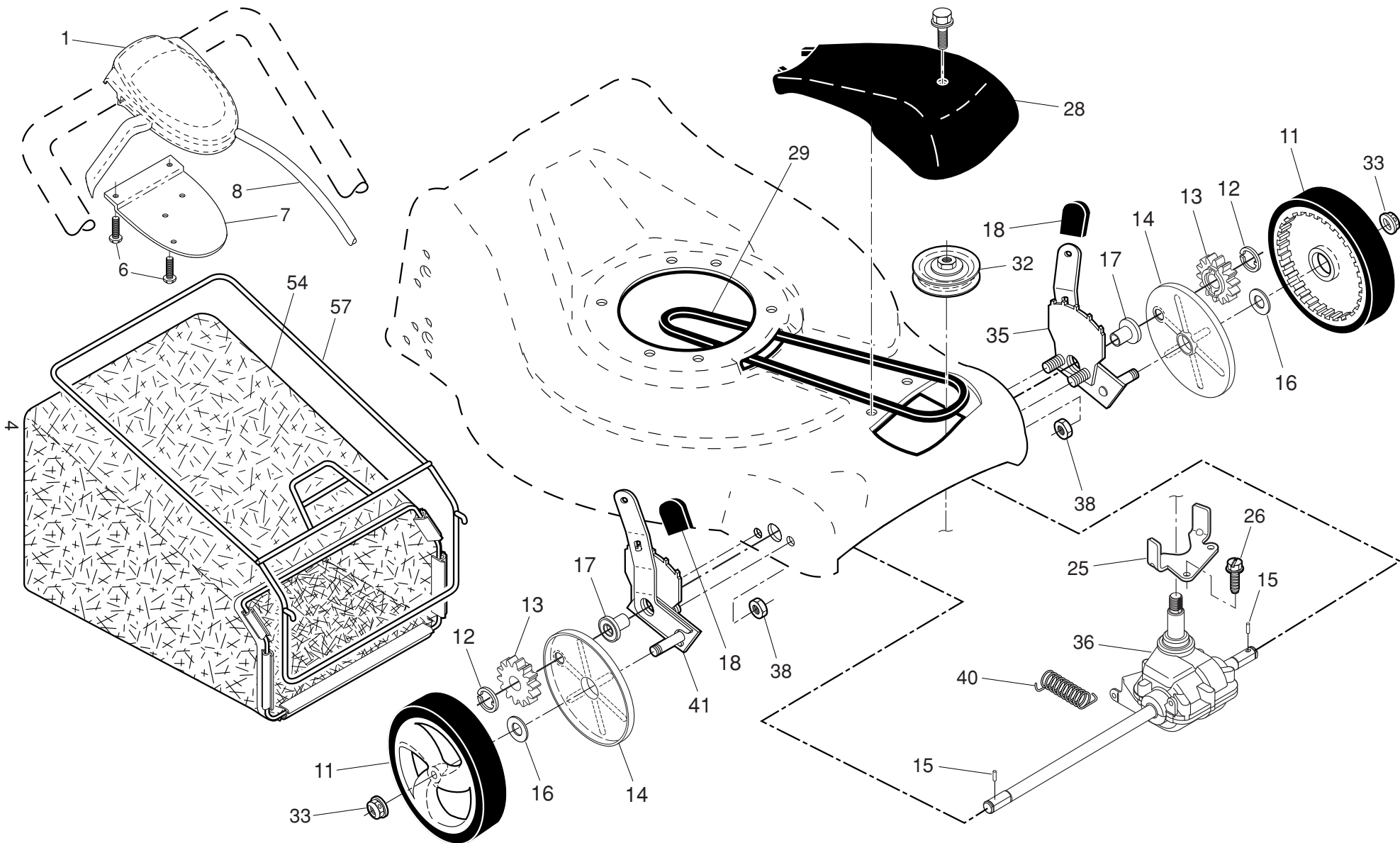


# ROTARY LAWN MOWER - MODEL NUMBER **LM 2153CMDAE** (96141022204) PRODUCT NO. 961 41 02-22

KEY NO.	PART NO.	DESCRIPTION	KEY NO.	PART NO.	DESCRIPTION
1	532 18 45-76	Upper Handle Assembly (Includes Foam Grip)	37	874 78 05-12	Screw
2	532 43 45-39	Lower Handle	38	532 40 16-29	Spacer
3	532 42 65-05	Control Bar	39	532 15 53-77	Locknut, Hex, Flanged, Serrated 5/16-18
4	532 41 53-50	Cable, Engine Zone Control	40	532 43 50-59	Belt Keeper
5	532 19 15-74	Handle Bolt	42	532 17 55-51	Bolt, Shoulder
6	532 19 19-38	Handle Knob	44	532 43 90-57	Kit, Lawn Mower Housing (Includes Key Numbers 10, 11, 12 and 45)
7	532 05 17-93	Hairpin Cotter	45	532 18 21-66	Danger Decal
8	532 06 64-26	Wire Tie	46	532 43 22-79	Blade Adapter / Pulley
9	532 40 69-85	Rear Door Assembly	47	532 19 93-77	Blade, 21"
10	532 12 84-15	Pop Rivet	48	532 85 10-74	Hardened Washer
11	532 41 05-40	Support Bracket, LH	49	532 85 02-63	Helical Washer 3/8-24 x 1-3/8 Grade 8
12	532 41 05-42	Support Bracket, RH	50	532 85 10-84	Hex Head Machine Screw 3/8-24 x 1-3/8 Grade 8
13	817 06 04-10	Screw 1/4-20 x 5/8	51	532 19 48-47	Wiring Harness (Includes Key Start Switch)
14	532 43 45-13	Handle Bracket Assembly, LH	52	532 18 95-89	Battery
15	532 43 45-12	Handle Bracket Assembly, RH	53	532 18 61-59	Screw
16	532 40 54-17	Spring, Rear Door, LH	54	532 18 62-37	Box, Battery
17	532 40 54-18	Spring, Rear Door, RH	55	532 18 03-31	Key
18	532 13 20-04	Keps Locknut 1/4-20	57	532 43 00-34	Bracket, Upstop
19	532 19 47-88	Rope Guide	58	<b>532 17 88-48</b>	Screw, Hex Washer Head #10-16 x 5/8
20	532 43 61-19	Foot Guard	59	532 17 50-71	Discharge Deflector
21	817 49 04-16	Hinge Screw 1/4-20 x 1-1/4	60	532 17 57-35	Hinge Bracket
22	532 40 95-67	Wiring Harness	61	532 19 30-00	Hinge Spring
23	532 19 48-48	Nut, Cap	62	532 17 56-50	Hinge Rod
24	- - -	Engine, Briggs & Stratton, Model Number <b>12S905-0111-H1</b> (order parts from engine manufacturer)	63	873 80 04-00	Nut, Hex
25	532 15 04-06	Hex Head Thread Rolling Screw 3/8-16 x 1-1/8	64	532 17 50-66	Mulcher Door
26	532 40 91-49	Hex Flange Nut	65	532 19 74-80	O-Ring
27	532 43 27-47	Wheel & Tire Assembly	66	532 08 83-48	Washer, Flat
28	532 40 16-38	Shoulder Bolt 5/16-18 x .33	67	532 19 24-36	Charger, Battery
29	532 41 11-90	Trimplate Assembly	69	532 18 27-48	Grip, Foam
30	532 41 31-41	Axle Arm Assembly, Rear	96	532 19 79-91	Clip, Cable
31	532 70 10-37	Selector Knob	97	817 41 13-08	Screw
32	532 40 98-89	Selector Spring	101	532 42 59-37	Fuse
33	873 80 05-00	Nut, Hex	--	532 18 21-34	Warning Decal (not shown)
34	532 40 16-30	Washer, Curved, Cylindrical	--	532 43 03-75	Operator's Manual, European
35	532 14 18-41	Screw	--	532 43 03-76	Operator's Manual, Scandinavian
36	532 18 41-93	Bolt	--	532 43 03-78	Operator's Manual, East Bloc
			--	532 43 03-77	Operator's Manual, Baltic

**NOTE:** All component dimensions given in U.S. inches. 1 inch = 25.4 mm. **IMPORTANT:** Use only Original Equipment Manufacturer (O.E.M.) replacement parts. Failure to do so could be hazardous, damage your lawn mower and void your warranty.

ROTARY LAWN MOWER - MODEL NUMBER **LM 2153CMDAE** (96141022204) PRODUCT NO. 961 41 02-22



# ROTARY LAWN MOWER - MODEL NUMBER **LM 2153CMDAE** (96141022204) PRODUCT NO. 961 41 02-22

KEY NO.	PART NO.	DESCRIPTION	KEY NO.	PART NO.	DESCRIPTION
1	532 42 52-16	Drive Control Assembly (Includes Cable)	26	532 16 34-09	Screw, Hi-Lo Thread #12-16 x 5/8
6	532 18 16-98	Screw #8 x .62	28	532 43 26-62	Drive Cover Assembly (Includes Mounting Screw and Pushnut)
7	532 40 07-23	Mounting Bracket, Drive Control	29	532 19 41-49	V-Belt
8	532 40 62-59	Cable, Drive Control	32	<b>532 44 32-62</b>	Pulley, Drive
11	532 40 25-67	Wheel & Tire Assembly	33	532 40 91-48	Locknut, Hex
12	812 00 00-58	E-Ring	35	532 43 84-85	Kit, Wheel Adjuster, LH (Includes Knob and Bearing)
13	532 40 38-49	Pinion	36	532 40 48-33	Gear Case Assembly, Complete
14	532 18 94-03	Dust Cover	38	873 80 04-00	Locknut, Hex 1/4-20
15	532 40 48-45	Pawl, Drive	40	532 40 65-58	Spring
16	532 06 77-25	Washer 1/2 x 1-1/2 x .134	41	532 43 84-86	Kit, Wheel Adjuster, RH (Includes Knob and Bearing)
17	532 42 18-36	Bearing Assembly, Wheel Adjuster	54	532 19 48-53	Grassbag Assembly
18	532 70 10-37	Selector Knob	57	532 41 19-50	Frame, Grassbag
25	<b>532 43 17-11</b>	Belt Keeper			

**NOTE:** All component dimensions given in U.S. inches. 1 inch = 25.4 mm. **IMPORTANT:** Use only Original Equipment Manufacturer (O.E.M.) replacement parts. Failure to do so could be hazardous, damage your lawn mower and void your warranty.