

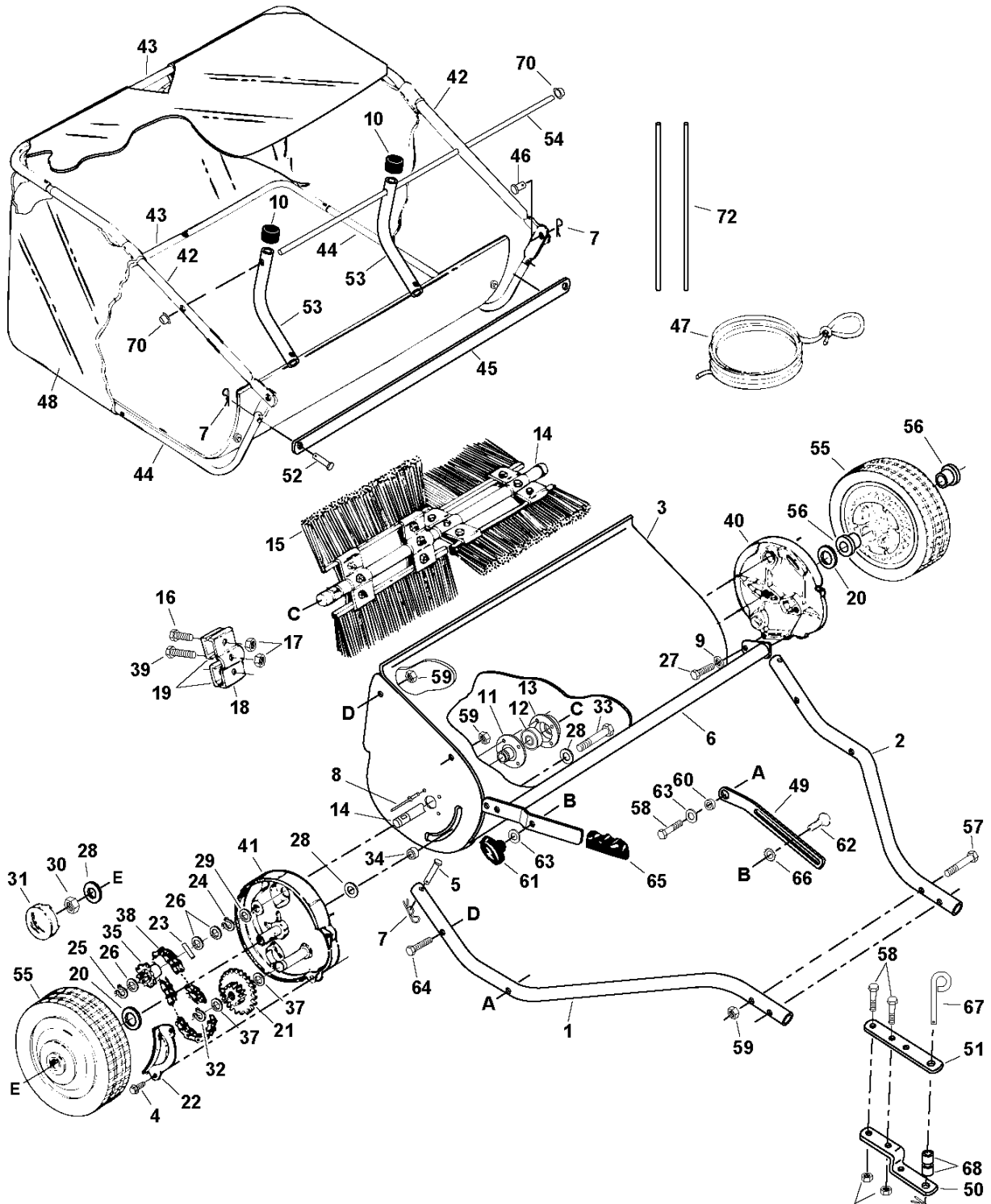


# SPARE PARTS LIST

ACCESSORIES AND TOOLS

SWEEPER, 966711001, 2011-02

# 45-02615-669



## PRODUCT COMPLETE

SWEEPER, 966711001, 2011-02

Ref	Part no.	Description	Remark	Qty	Kit
1	522 75 55-01	HANDLE HALF		1	
2	522 75 56-01	HANDLE HALF		1	
3	577 73 08-01	HOUSING ASSY		1	
4	531 00 76-95	SCREW		4	
5	522 76 25-01	PIN		2	
6	577 73 09-01	HEIGHT ADJUSTER		1	
7	522 75 57-01	HAIR PIN COTTER		6	
8	522 75 61-01	RIVET		8	
9	522 75 86-01	LOCK WASHER		4	
10	522 76 31-01	CAP		2	
11	506 62 02-01	BUSHING		2	
12	506 62 02-17	BALL BEARING		2	
13	522 75 89-01	RETAINER		2	
14	577 73 15-01	SHAFT		1	
15	522 75 92-01	BRUSH		4	
16	522 75 93-01	BOLT		8	
17	522 75 94-01	NUT		16	
18	522 75 95-01	BRACKET		4	
19	522 75 96-01	BRACKET		8	
20	522 75 97-01	WASHER		2	
21	506 62 17-01	GEAR SPRUCKET SUB ASSY		2	
22	506 62 18-01	DUST COVER		2	
23	522 75 98-01	PIN		2	
24	506 62 23-01	RETAINING RING 3/4"		2	
25	577 73 13-01	RETAINER RING		2	
26	577 73 17-01	WASHER		14	
27	522 75 99-01	BOLT		4	
28	522 76 08-01	WASHER		6	
29	506 62 47-01	WASHER		4	
30	522 76 09-01	NUT		2	
31	577 73 12-01	HUB CAP		2	
32	522 65 70-01	RETAINER		2	
33	506 62 33-01	BOLT		2	
34	506 62 66-01	SPACER		2	
35	531 00 27-99	GEAR		1	
36	506 62 35-01	RATCHET SPROCKET		1	
37	506 62 36-01	WASHER		4	
38	531 00 27-45	ROLLERCHAIN 3/8X1/2"		2	
39	531 00 76-26	BOLT		4	
40	522 71 13-01	HOUSING ASSY		1	
41	522 71 14-01	HOUSING ASSY		1	
42	522 76 23-01	FRAME		2	
43	522 76 22-01	FRAME		2	
44	522 76 24-01	FRAME		2	
45	522 75 91-01	SHAFT		1	
46	522 76 27-01	PIN		2	
47	522 76 30-01	CORD		1	
48	522 76 26-01	BAG		1	
49	522 59 19-01	STRAP		1	
50	522 76 33-01	BRACKET		1	
51	522 75 10-01	BRACKET		1	
52	522 75 60-01	PIN		2	
53	522 76 36-01	TUBE		2	
54	522 76 38-01	ROD		1	
55	522 76 42-01	WHEEL ASSY		2	
56	522 76 44-01	BEARING		4	
57	522 76 96-01	BOLT		2	
58	522 75 14-01	BOLT		3	
59	501 02 11-01	NUT		8	
60	522 59 17-01	SPACER		1	
61	522 77 01-01	KNOB		1	
62	522 77 02-01	BOLT		1	
63	522 77 03-01	WASHER		2	
64	522 76 98-01	BOLT		3	

## PRODUCT COMPLETE

SWEEPER, 966711001, 2011-02

Ref	Part no.	Description	Remark	Qty	Kit
65	522 77 04-01	GRIP		1	
66	522 77 05-01	LOCK WASHER		1	
67	506 62 56-01	HITCH PIN		1	
68	522 77 07-01	SPACER		2	
69	522 75 20-01	HAIR PIN COTTER		1	
70	522 75 58-01	NUT		2	
71	522 75 62-01	BOLT		4	
72	506 62 44-01	HOPPER SUPPORT ROD		2	
	577 73 20-01	OPERATOR'S MANUAL		1	