

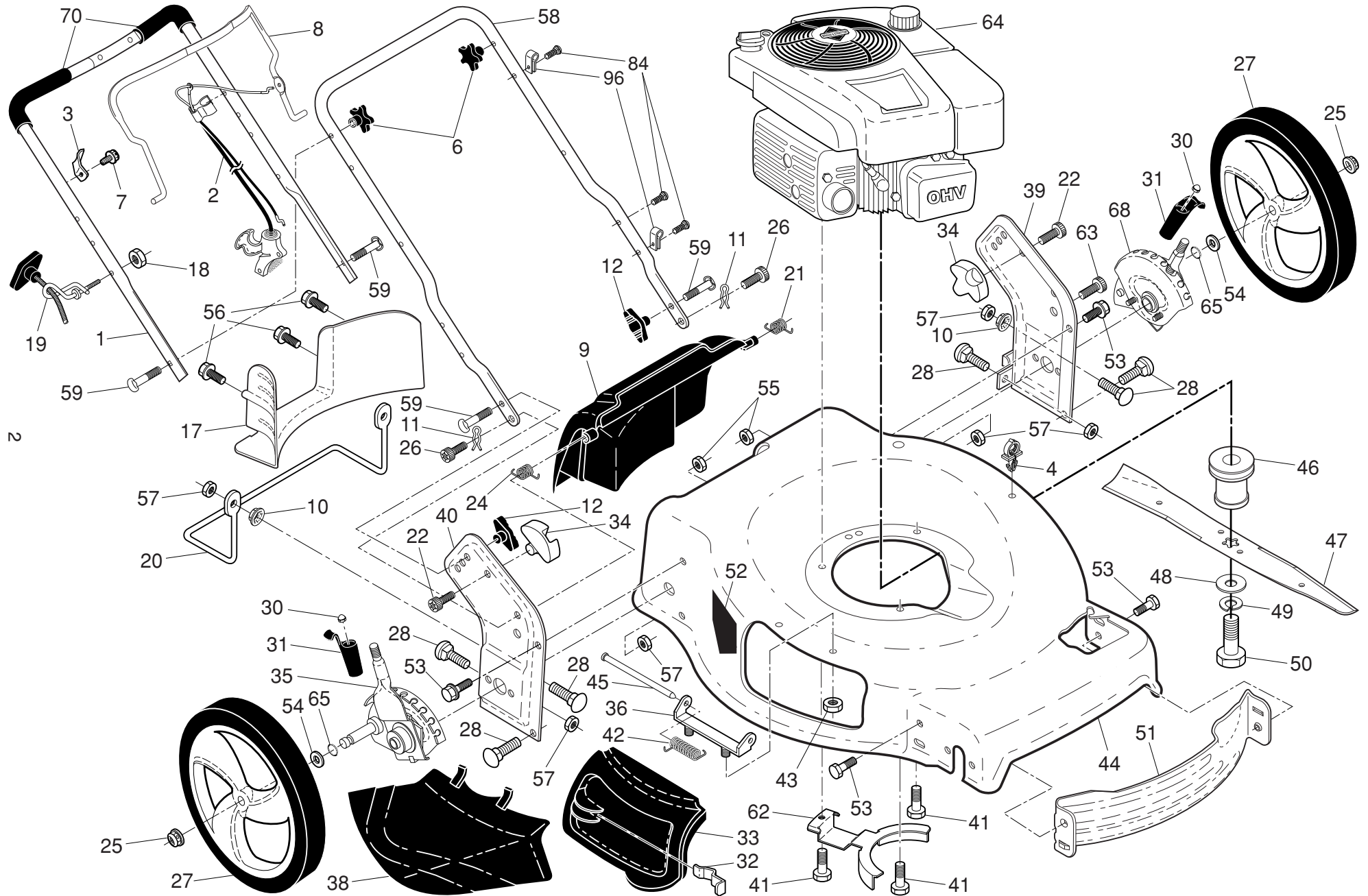
ILLUSTRATED PARTS LIST

MODEL NUMBER LM 2156CMDA

PRODUCT NUMBER 961 41 02-23

MFG. ID. NUMBER 96141022304

JONSERED ROTARY LAWN MOWER - MODEL NO. LM 2156CMDA (96141022304) PRODUCT NO. 961 41 02-23



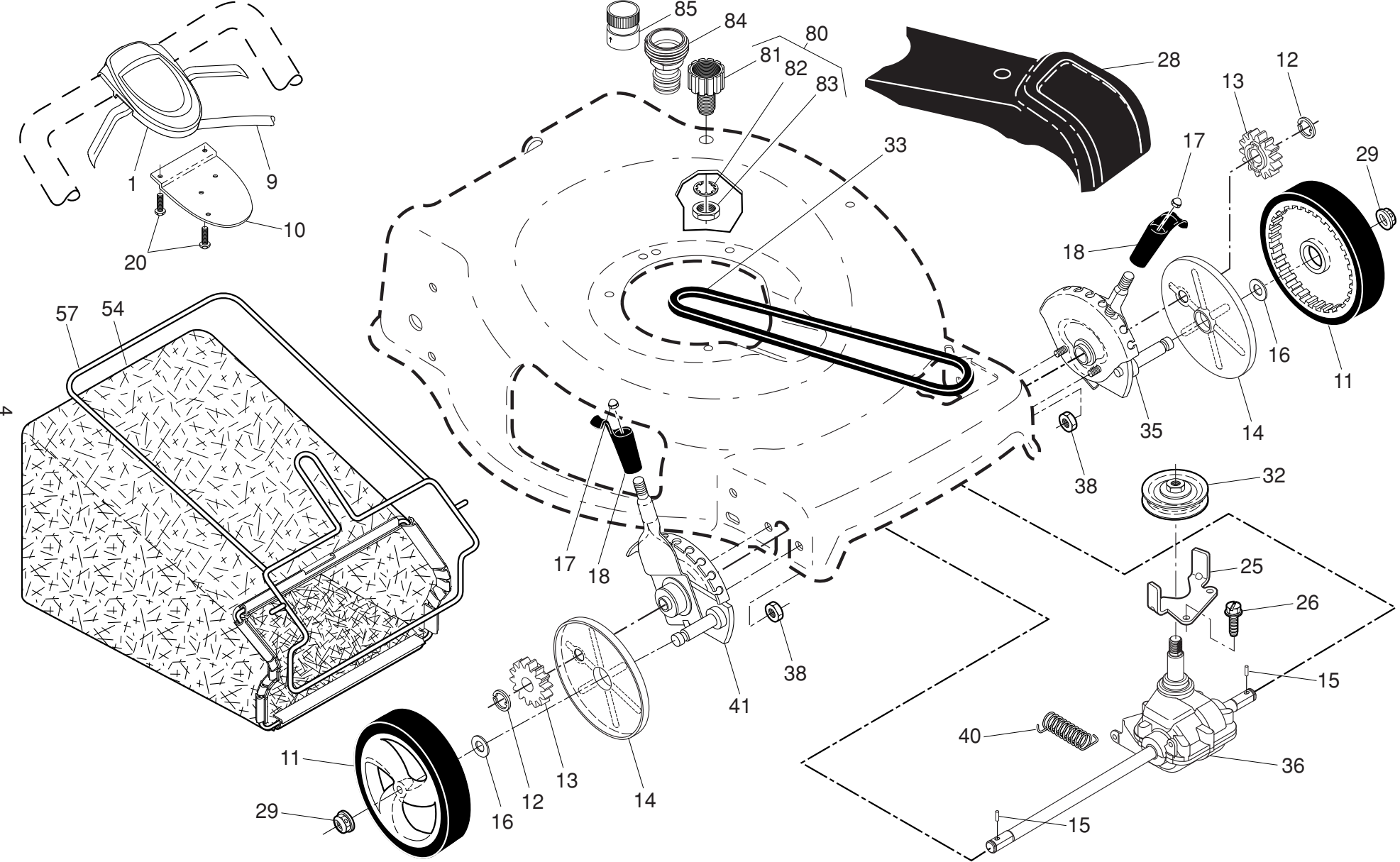
JONSERED ROTARY LAWN MOWER - MODEL NO. LM 2156CMDA (96141022304) PRODUCT NO. 961 41 02-23

KEY NO.	PART NO.	DESCRIPTION	KEY NO.	PART NO.	DESCRIPTION
1	532 18 45-76	Upper Handle Assembly (Includes Foam Grip)	41	532 15 04-06	Screw, Dogpoint 3/8-16 x 1-1/8
2	532 42 96-43	Cable, Engine Zone Control / Rear Door Prop	42	532 19 30-00	Spring, Torsion
3	532 43 00-34	Bracket, Upstop	43	532 19 17-30	Nut, Hex, Nylock
4	532 14 50 06	Guide, Cable	44	532 43 90-72	Kit, Lawn Mower Housing
6	532 18 23-98	Handle Knob, Star	45	532 17 56-50	Rod, Hinge
7	532 17 88-48	Screw, Hex Washer Head #10-16 x 5/8	46	532 42 17-82	Blade Adapter / Pulley
8	532 42 65-05	Control Bar	47	532 42 27-06	Blade, 22"
9	532 42 63-00	Rear Door Assembly	48	532 85 10-74	Washer, Hardened
10	532 42 30-63	Palnut 5/16"	49	532 85 02-63	Washer, Helical
11	532 42 55-75	Hairpin, Door/Handle Pivot	50	532 85 10-84	Screw, Machine, Hex Head 3/8-24 x 1-3/8 Grade 8
12	532 19 19-38	Handle Knob, Standard	51	532 43 05-99	Front Baffle
17	532 42 73-07	Rear Baffle	52	532 18 21-66	Decal, Danger
18	532 13 20-04	Keps Locknut 1/4-20	53	817 00 05-10	Screw, Semi-Gimlett Point 1/4-20 x 1/2
19	532 19 47-88	Rope Guide	54	532 08 83-48	Washer, Flat
20	532 42 24-67	Foot Guard	55	532 19 17-30	Nut, Hex, Flanged 1/4-20
21	532 41 99-49	Spring, Rear Door, LH, Black	56	817 41 13-12	Screw, Hex Washer Head #13 x 3/4
22	532 14 18-41	Screw, Panhead, Torx #20	57	532 15 53-77	Nut, Hex 3/8-16
24	532 41 99-48	Spring, Rear Door, RH, Grey	58	532 42 60-72	Lower Handle
25	532 40 91-49	Nut, Hex, Flanged	59	532 19 15-74	Handle Bolt
26	532 41 99-45	Screw, Door/Handle Pivot	62	532 43 50-59	Belt Retainer
27	532 43 27-47	Wheel & Tire Assembly, Rear	63	532 17 88-48	Screw #10-16 x 5/8
28	872 25 05-05	Bolt, Carriage 5/16-18 x 5/8	64	---	Engine, Briggs & Stratton, Model Number 12S902-0110-H1 (order parts from Engine manufacturer)
30	532 41 38-08	Nut, Push	65	532 19 74-80	O-Ring
31	532 43 18-93	Selector Knob	68	532 43 11-34	Kit, Wheel Adjuster, Rear, LH (Includes Knob and Pushnut)
32	532 44 11-92	Latch, Mulcher Door	70	532 18 27-48	Grip, Foam
33	532 43 26-42	Mulcher Door	84	532 42 81-24	Fastener, Push
34	532 42 61-25	Pivot Bracket	96	532 19 79-91	Clip, Cable
35	532 43 11-31	Kit, Wheel Adjuster, Rear, RH (Includes Knob and Pushnut)	--	532 43 04-13	Operator's Manual, European
36	532 17 57-35	Hinge Bracket Assembly	--	532 43 04-15	Operator's Manual, Scandinavian
38	532 42 61-29	Discharge Deflector	--	532 43 04-14	Operator's Manual, East Bloc
39	532 44 25-30	Handle Bracket, LH	--	532 43 04-16	Operator's Manual, Baltic
40	532 44 05-27	Handle Bracket, RH			

NOTE: All component dimensions given in U.S. inches. 1 inch = 25.4 mm

IMPORTANT: Use only Original Equipment Manufacturer (O.E.M.) replacement parts. Failure to do so could be hazardous, damage your lawn mower and void your warranty.

JONSERED ROTARY LAWN MOWER - MODEL NO. LM 2156CMDA (96141022304) PRODUCT NO. 961 41 02-23



JONSERED ROTARY LAWN MOWER - MODEL NO. LM 2156CMDA (96141022304) PRODUCT NO. 961 41 02-23

KEY NO.	PART NO.	DESCRIPTION	KEY NO.	PART NO.	DESCRIPTION
1	532 43 13-81	Drive Control Assembly (Includes Cable)	29	532 40 91-48	Locknut, Hex
9	532 43 16-49	Cable, Drive Control	32	532 44 32-62	Drive Pulley
10	532 43 27-90	Bracket, Drive Control	33	532 19 68-53	V-Belt
11	532 40 25-67	Wheel & Tire Assembly, Front	35	532 43 11-24	Kit, Wheel Adjuster, Front, LH (Includes Black Knob and Pushnut)
12	812 00 00-58	E-Ring	36	532 42 47-41	Gear Case Assembly, Complete
13	532 40 38-49	Pinion	38	532 19 17-30	Locknut, Hex 1/4-20
14	532 18 94-03	Dust Cover	40	532 40 65-58	Spring
15	532 40 48-45	Pawl, Drive	41	532 43 11-21	Kit, Wheel Adjuster, Front, RH (Includes Black Knob and Pushnut)
16	532 06 77-25	Washer, Flat 3/8	54	532 43 15-55	Grassbag
17	532 41 38-08	Nut, Push	57	532 41 99-51	Frame, Grassbag
18	532 43 18-95	Selector Knob	80	532 42 11-14	Water Washout Assembly
20	532 18 16-98	Screw	81	532 41 97-35	Fitting, Water Washout
25	532 43 17-11	Belt Keeper	82	532 41 55-85	Washer, Lock, Internal Tooth
26	532 16 34-09	Screw, Hi-Lo Thread #12 x 5/8	83	532 41 55-86	Locknut, Hex, with O-Ring
28	532 43 26-75	Drive Cover Assembly (Includes Mounting Screw and Pushnut)	84	532 43 20-66	Adapter, Water Washout
			85	532 41 64-05	Adapter, Quick-Connect Coupler

NOTE: All component dimensions given in U.S. inches. 1 inch = 25.4 mm

IMPORTANT: Use only Original Equipment Manufacturer (O.E.M.) replacement parts. Failure to do so could be hazardous, damage your lawn mower and void your warranty.