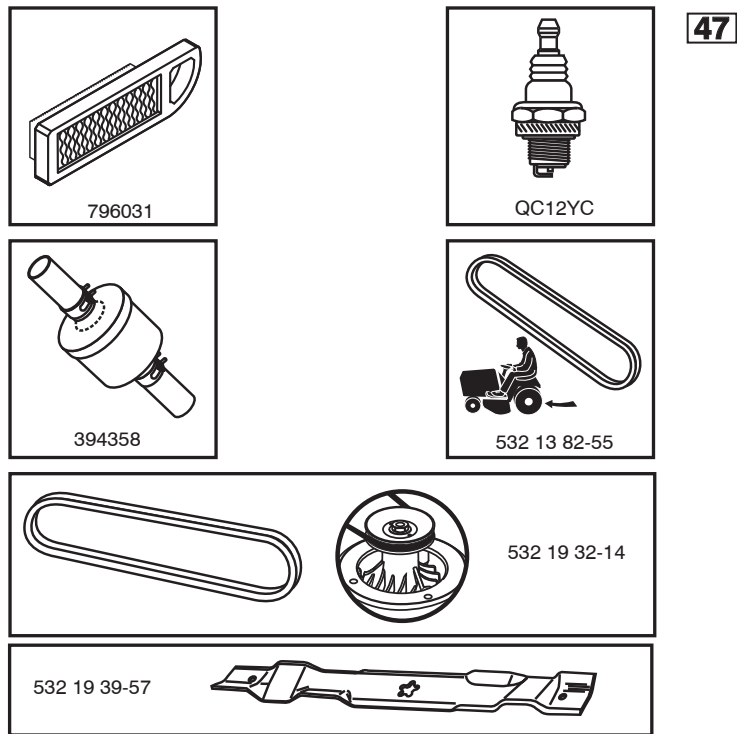


ILLUSTRATED PARTS LIST

MFG ID NO. 96011029303/04

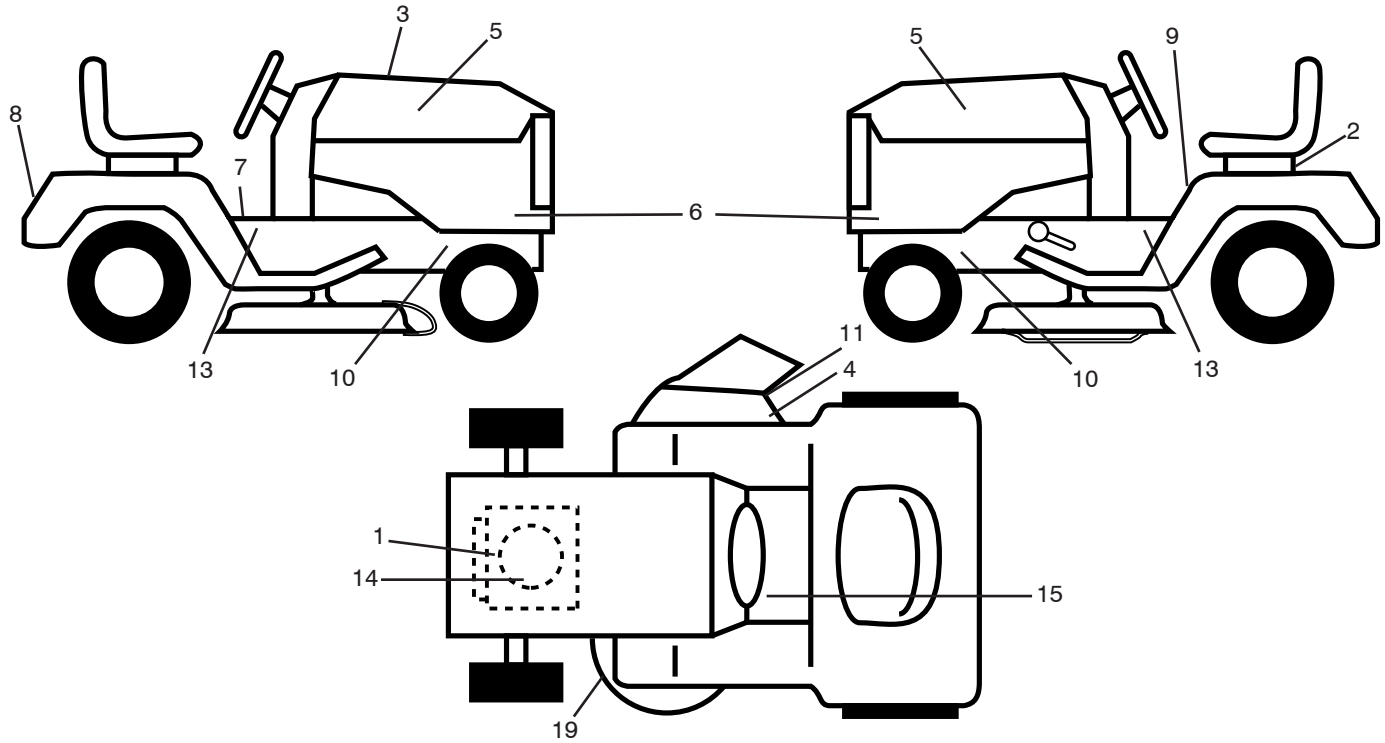
CUSTOMER CATALOG NO. LT2114

PRODUCT NO. 960 11 02-93



442150

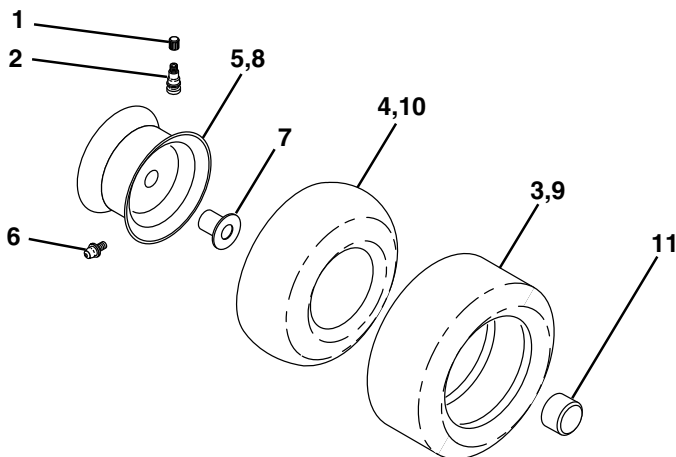
**TRACTOR - - MODEL NO. LT2114 (96011029303/04), PRODUCT NO. 960 11 02-93
DECALS 27**



KEY NO.	PART NO.	DESCRIPTION
1	581 57 97-01	Decal, Warning Engine Symbols
2	532 14 50-05	Decal, Bat Dan/Poi P/L Symbols
3	532 44 21-50	Decal, RPL.
4	581 57 92-01	Decal, Deflector Warning Symbols
5	532 42 26-39	Decal, Hood
6	532 44 04-98	Decal, SDPNL
7	581 57 80-01	Decal, Saddle Brake Parking
8	532 43 74-43	Decal, Fender
9	581 57 81-01	Decal, Warning Sym. CE
10	581 57 96-01	Decal, Chassis Hot Muffler

KEY NO.	PART NO.	DESCRIPTION
11	581 57 91-01	Decal, Mower Cut finger Symbol
13	581 57 98-01	Decal
14	532 43 74-12	Decal, Eng. HP
15	581 72 40-01	Decal, Brake/Clutch
19	581 58 00-03	Decal, V-Belt Sch
--	581 72 46-01	Decal, Drawbar Load Limit
--	581 72 49-01	Decal, Lift Handle (Lift Handle)
--	115 52 23-27	Manual Operator's Euro

WHEELS & TIRES

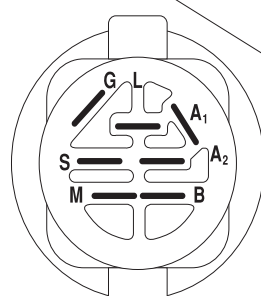
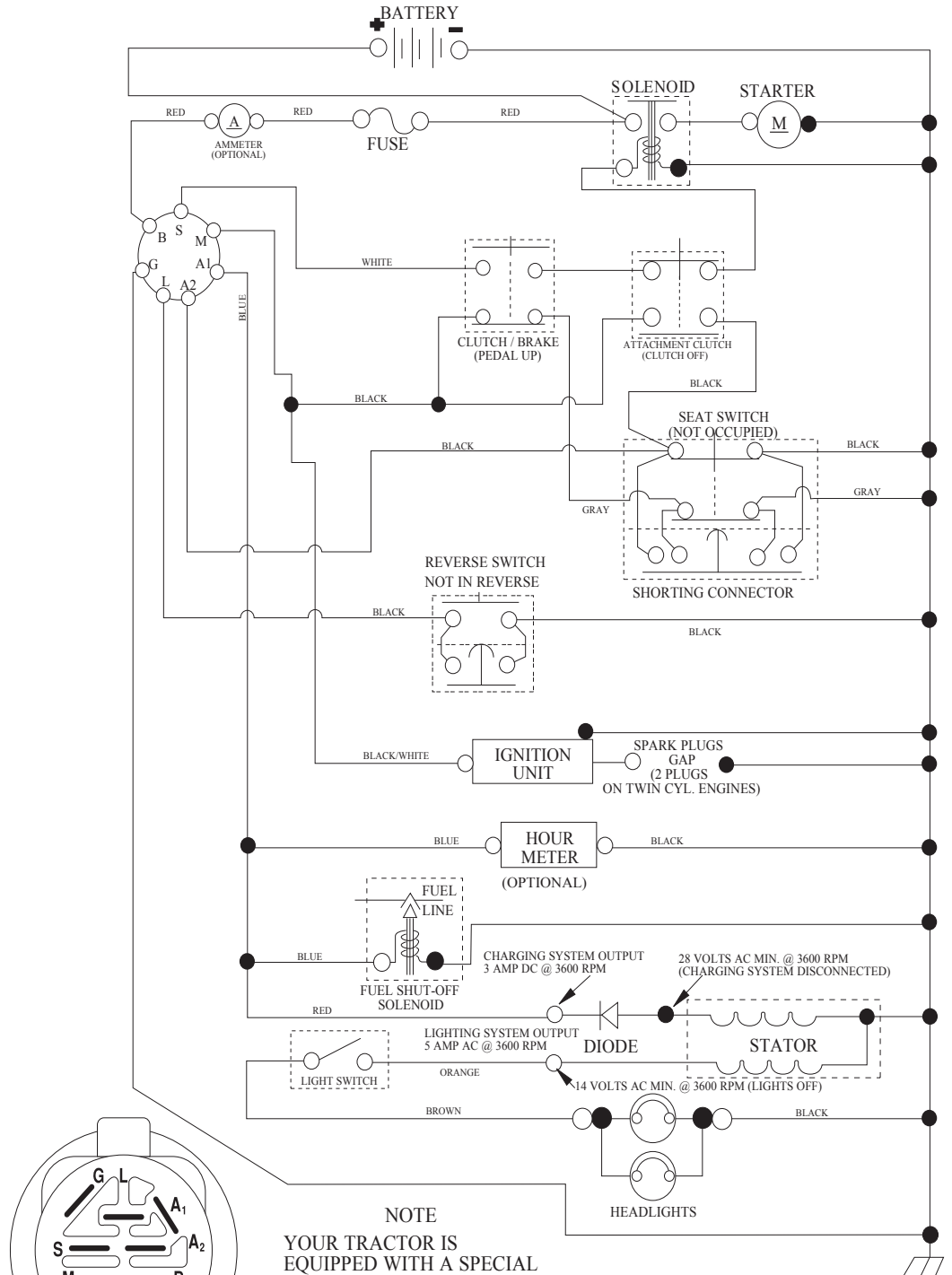


KEY NO.	PART NO.	DESCRIPTION
1	532 05 91-92	Cap Valve Tire
2	532 06 51-39	Stem Valve
3	532 10 62-22	Tire F Ts 15 x 6 - 6 Service
4	532 05 99-04	Tube Front (Service Item Only)
5	532 13 83-36	Rim Asm 6" Front Service
6	532 12 49-57	Fitting Grease (Front Wheel Only)
7	532 12 49-59	Bearing Flange (Front Wheel Only)
8	532 13 83-37	Rim Asm 8" Rear Service
9	532 12 46-35	Tire R Ts 18 x 8.5-8 C. Service
10	532 12 49-26	Tube Rear (Service Item Only)
11	532 17 50-39	Cap Axle Blk 1 50 x 1 00

NOTE: All component dimensions given in U.S. inches
1 inch = 25.4 mm

TRACTOR - - MODEL NO. LT2114 (96011029303/04), PRODUCT NO. 960 11 02-93
SCHEMATIC 38

SCH03



IGNITION SWITCH

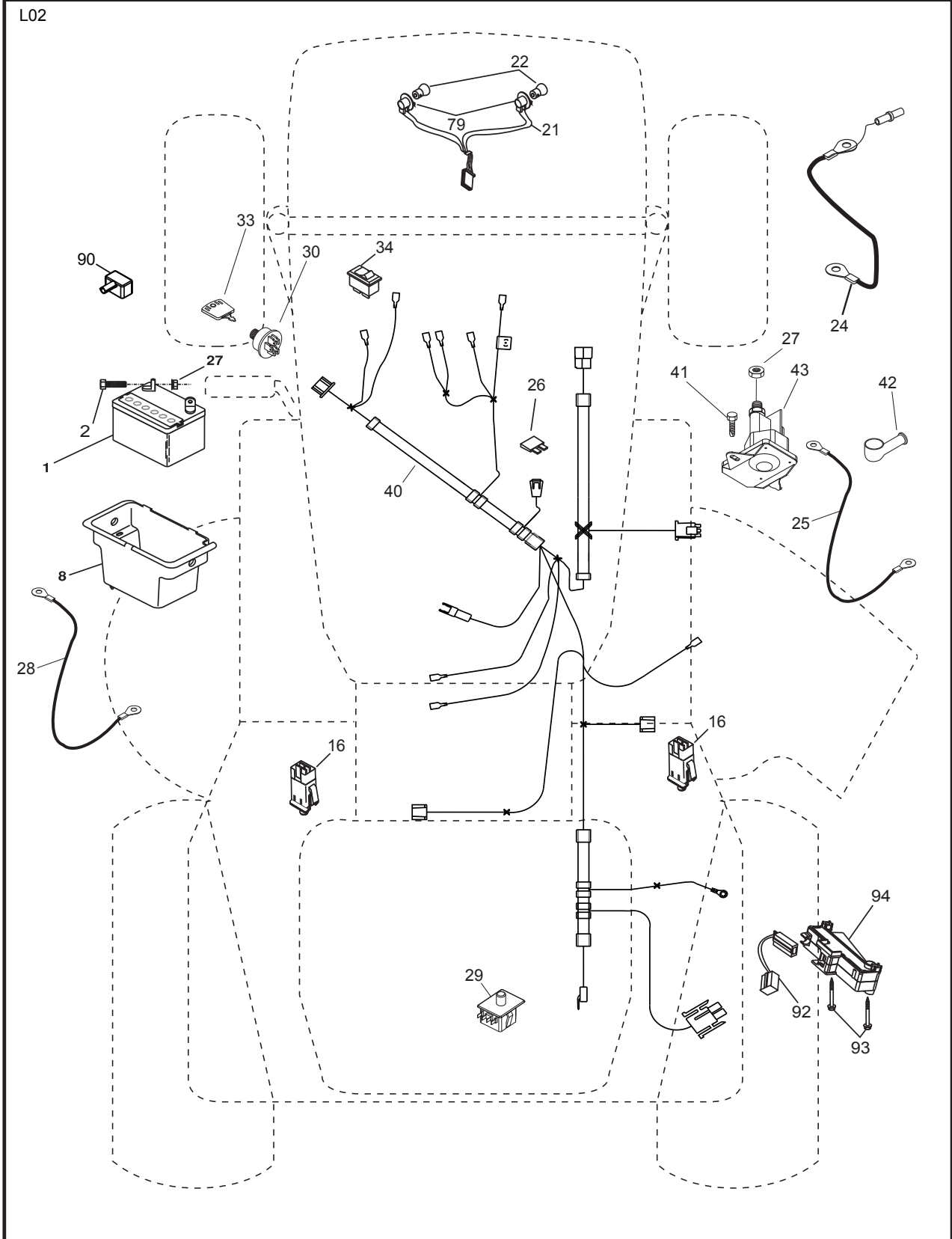
POSITION	CIRCUIT "MAKE"
OFF	M+G+A1
RUN/OVERRIDE	B+A1
RUN	B+A1 L+A2
START	B + S + A1

NOTE
 YOUR TRACTOR IS EQUIPPED WITH A SPECIAL ALTERNATOR SYSTEM. THE LIGHTS ARE NOT CONNECTED TO THE BATTERY, BUT HAVE THEIR OWN ELECTRICAL SOURCE. BECAUSE OF THIS, THE BRIGHTNESS OF THE LIGHTS WILL CHANGE WITH ENGINE SPEED. AT IDLE THE LIGHTS WILL DIM. AS THE ENGINE IS SPEEDED UP, THE LIGHTS WILL BECOME THEIR BRIGHTEST.



WIRING INSULATED CLIPS
 NOTE: IF WIRING INSULATED CLIPS WERE REMOVED FOR SERVICING OF UNIT, THEY SHOULD BE RE-INSTALLED TO PROPERLY SECURE YOUR WIRING.

TRACTOR - - MODEL NO. LT2114 (96011029303/04), PRODUCT NO. 960 11 02-93
ELECTRICAL **32**

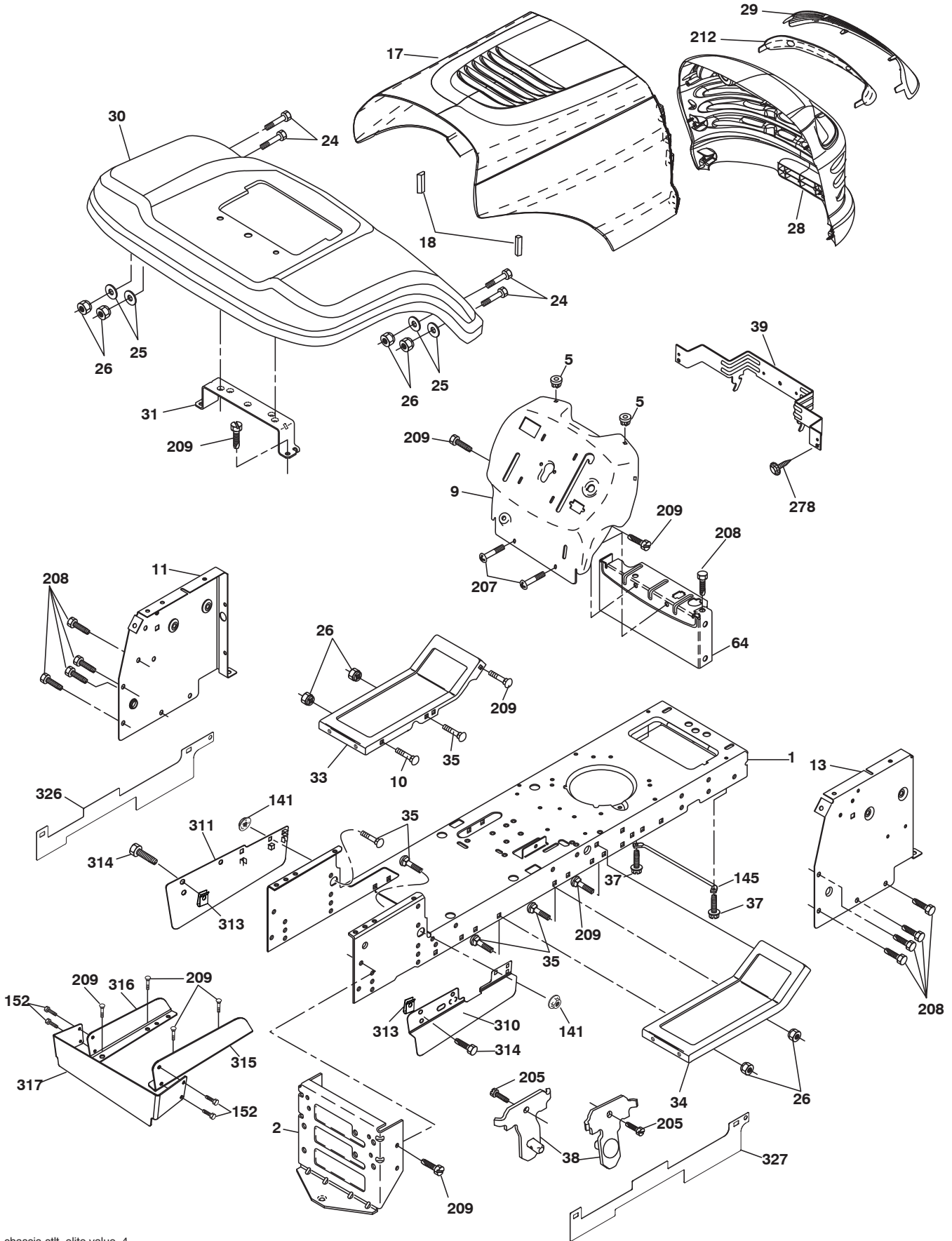


**TRACTOR - - MODEL NO. LT2114 (96011029303/04), PRODUCT NO. 960 11 02-93
ELECTRICAL 32**

KEY PART NO.	PART NO.	DESCRIPTION
1	532 16 34-65	Battery
2	874 76 04-12	Bolt Hex Hd 1/4-20 unc x 3/4
8	532 17 66-89	Box Battery Fender
16	532 17 61-38	Switch Interlock
21	532 18 37-59	Harness Headlight
22	532 00 41-52	Bulb.
24	532 42 12-97	Cable Battery 8 Ga w/44 wire Red
25	532 42 12-99	Cable Battery 6 Ga 11" Red
26	532 17 51-58	Fuse
27	873 51 04-00	Nut Keps Hex 1/4-20 unc
28	532 42 12-98	Cable Ground 6 Ga 12" black
29	532 19 27-49	Switch Seat
30	532 19 33-50	Switch Ignition
33	532 41 19-35	Key/Chain
34	532 11 07-12	Switch Light/Reset
40	532 19 74-28	Harness Ignition
41	871 11 04-08	Bolt Blk Fin Hex 1/4 - 20 x 1/2
42	532 13 15-63	Cover Terminal Red
43	532 19 25-07	Solenoid
79	532 17 52-42	Socket Asm. Bulb Twistlock
90	532 43 53-95	Cover Terminal Battery
92	532 19 66-15	Harness Pigtail Console ROS
93	532 19 25-40	Screw Plastite 10-14 x 2.0
94	532 19 18-34	Module Reverse ROS

NOTE: All component dimensions given in U.S. inches.
1 inch = 25.4 mm.

TRACTOR - - MODEL NO. LT2114 (96011029303/04), PRODUCT NO. 960 11 02-93
 CHASSIS AND ENCLOSURES **39**

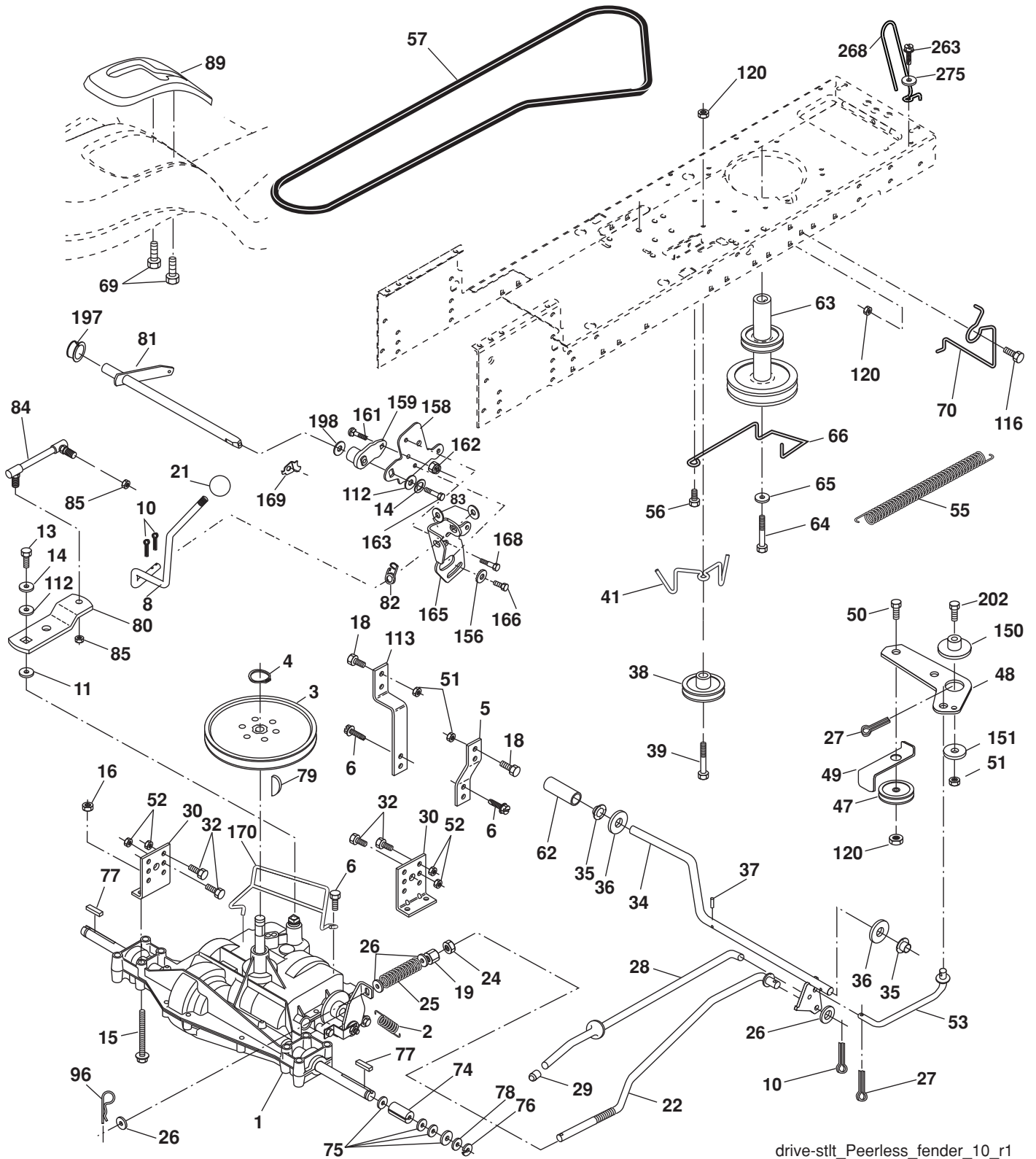


**TRACTOR - - MODEL NO. LT2114 (96011029303/04), PRODUCT NO. 960 11 02-93
CHASSIS AND ENCLOSURES **39****

KEY PART NO.	PART NO.	DESCRIPTION
1	532 17 46-19	Chassis
2	532 17 65-54	Drawbar
5	532 15 52-72	BumperHood/Dash
9	532 19 48-22	Dash
10	872 14 06-08	Bolt, Carriage 3/8-16 x 1
11	532 17 49-96	Dashboard, Panel LH
13	532 18 69-52	Dashboard, Panel RH
17	532 44 15-32	Hood Pnt
18	532 18 49-21	BumperHood
24	874 78 06-16	Bolt, Hex Head, Fin. 3/8-16 x 1 Gr. 5
25	819 13 13-12	Washer 13/32 x 13/16 x12 Ga.
26	873 80 06-00	Nut Lock Hex w/Ins. 3/8-16 unc
28	532 18 67-06	Grille
29	532 18 58-46	Lens
30	532 44 26-20	Fender
31	532 13 66-19	Fender Bracket
33	532 44 15-19	Footrest, LH
34	532 44 15-18	Footrest, RH
35	872 11 06-06	Bolt 3/8-16 X 3/4
37	817 49 05-08	Screw Thdrol 5/16-18 x 1/2
38	532 17 57-10	Bracket Asm. Pivot Mower Rear
39	532 40 78-07	Bracket Pivot Laser/Elite
64	532 15 47-98	Dash Lower
141	873 90 06-00	Nut 3/8-16 unc
145	532 40 91-67	Rod Pivot Chassis/Hood
152	817 72 04-08	Screw 1/4-20 x 1/2
205	817 49 06-08	Screw Thdrol 3/8-16 x 1/2
207	817 67 05-08	Screw Thdrol 5/16-18 x 1/2
208	817 67 06-08	Screw Thdrol 3/8-16 x 1/2
209	817 00 06-12	Screw Hexwsh Thdr 3/8-16 x 3/4
212	532 18 35-50	Insert Lens Reflective
278	532 41 63-58	Screw #10 x 0.750
310	532 42 27-66	Shield Lower RH
311	532 42 27-67	Shield Lower LH
313	532 19 66-88	Clips
314	532 13 77-29	Screw 1/4-20 x 5/8
315	532 42 28-66	Shield upper RH
316	532 42 28-68	Shield upper LH
317	532 42 28-60	Shield Rear
326	532 43 02-27	Shield Dck inside LH
327	532 43 02-25	Shield Dck inside RH
--	532 00 54-79	Button Plug

NOTE: All component dimensions given in U.S. inches.
1 inch = 25.4 mm.

TRACTOR - - MODEL NO. LT2114 (96011029303/04), PRODUCT NO. 960 11 02-93
 DRIVE **40**

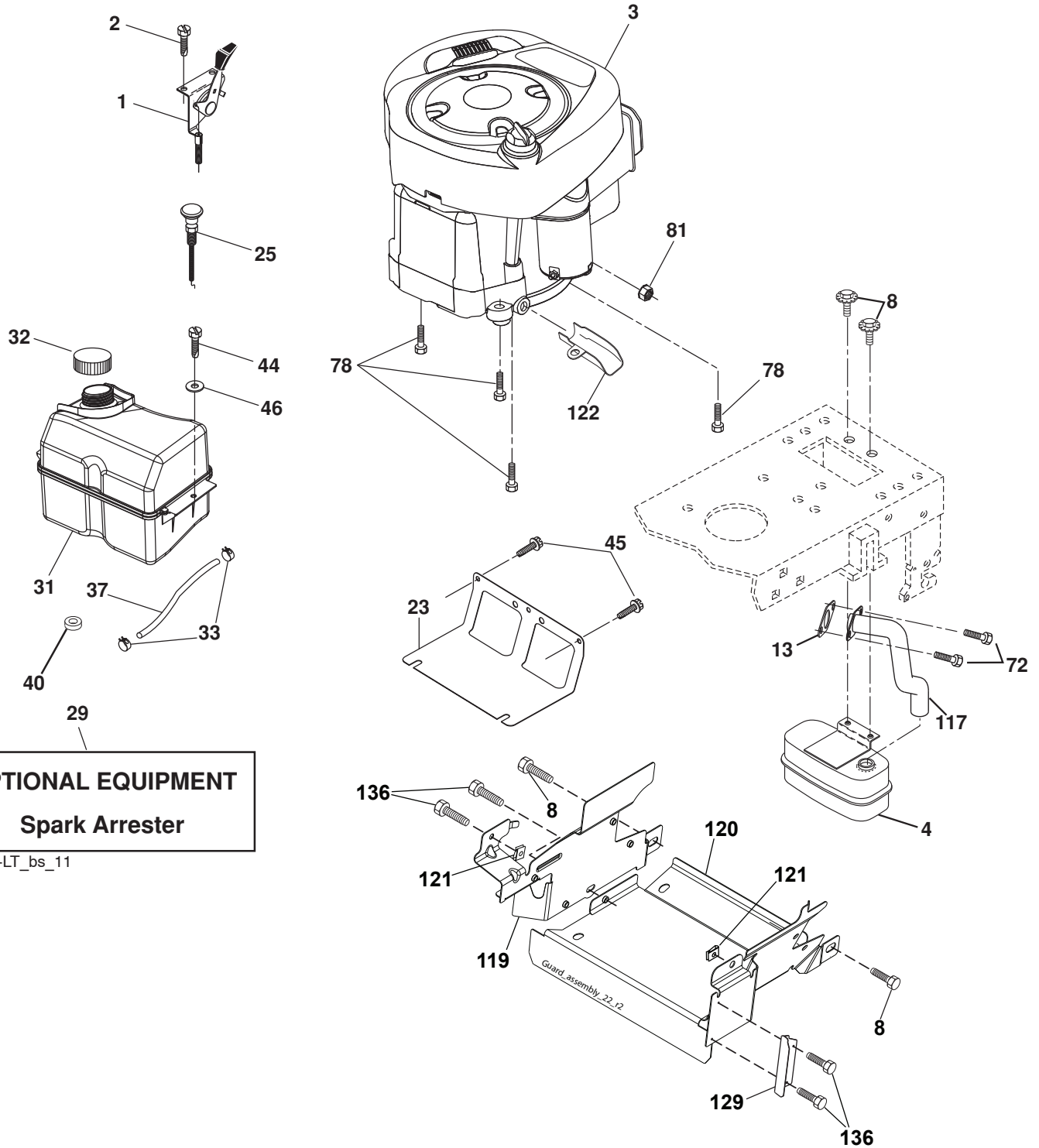


drive-stlt_Peerless_fender_10_r1

**TRACTOR - - MODEL NO. LT2114 (96011029303/04), PRODUCT NO. 960 11 02-93
DRIVE **40****

KEY NO.	PART NO.	DESCRIPTION	KEY NO.	PART NO.	DESCRIPTION
1	---	Transaxle Peerless 206-545C (165670) (Order parts from trans- axle manufacturer.)	65	810 04 07-00	Washer, Lock Hvy Hlcl Spr 7/16
2	532 14 66-82	Spring, Brake Return	66	532 15 47-78	Keeper, Belt Engine F-Proof
3	532 12 36-66	Pulley, Transaxle	69	532 14 24-32	Screw Hex Wsh Hi-Lo
4	812 00 00-28	Ring, Retainer	70	532 13 46-83	Guide Belt Mower Drive RH
5	532 12 15-20	Strap, Torque	74	532 13 70-57	Spacer Axle
6	817 06 05-12	Screw, 5/16-18 x 3/4 SMGML	75	532 12 17-49	Washer 25/32 x 1-1/4 x 16 Ga.
8	532 19 27-06	Rod, Shifter	76	812 00 00-01	E-Ring
10	876 02 04-16	Pin, Cotter 1/8 x 1	77	532 12 35-83	Key Square
11	532 10 57-01	Washer, Shift Plate	78	5321217-48	Washer 25/32 x 1-5/8 x 16 Ga.
13	874 55 04-12	Bolt 1/4-28 UNF Gr. 8 w/Patch	79	532 12 50-96	Key Woodruff #9 3/16 x 3/4
14	810 04 04-00	Washer Lock	80	532 13 14-86	Arm Shift
15	874 49 05-40	Bolt, Hex Flghd 5/16-18 Gr. 5	81	532 16 55-94	Shaft Asm. Cross Taper
16	873 80 05-00	Nut Lock 5/16-18 unc	82	532 16 57-11	Spring Torsion Shift
18	874 78 06-16	Bolt, Fin Hex 3/8-16 Unc x 1 Gr. 5	84	532 16 62-28	Link Trans.
19	873 80 06-00	Locknut 3/8-16	85	532 15 03-60	Nut Lock Center 1/4-28
21	532 10 69-33	Knob	89	532 19 49-71	Console Shift
22	532 13 08-04	Rod, Brake	96	532 12 47-88	Retainer Spring 1" Ziinc/Cad
24	873 35 06-00	Nut, Hex Jam 3/8-16	112	819 09 12-10	Washer 9/32 x 3/4 x 10 Ga.
25	532 10 68-88	Spring, Rod, Brake	113	532 12 72-85	Strap Torque L.H. Lt
26	819 13 13-16	Washer 13/32 x 13/16 x 16 Ga.	116	872 14 06-08	Bolt RDHD SQNK 3/8-16 unc x 1
27	876 02 04-12	Pin, Cotter 1/8 x 3/4	120	873 90 06-00	Nut Lock Flg. 3/8-16 unc
28	532 17 57-65	Rod, Brake, Park	150	532 17 54-56	SpacerRetainer
29	532 07 16-73	Cap, Plunger	151	819 13 32-10	Washer 13/32 x 2 x 10 Ga.
30	532 17 49-73	Bracket, Transaxle, L.H.	156	532 16 60-02	Washer 5/16 ID x 10 x .125
32	874 76 05-12	Bolt Hex Hd 5/16-18 unc x 3/4	158	532 43 74-58	Bracket Shift Mound
34	532 17 55-78	Shaft, Foot Pedal	159	532 44 43-04	Hub Shift
35	532 12 01-83	Bearing Nylon	161	872 14 04-06	Bolt Rdhd Sqnk 1/4-20 x 3/4 Gr. 5
36	819 21 16-16	Washer 21/32 x 1 x 16 Ga.	162	873 68 04-00	Nut Crownlock 1/4-20 unc
37	532 12 49-63	Pin, Roll 3/16 x 1	163	874 78 04-16	Bolt Hex Fin 1/4-20 unc x 1 Gr. 5
38	532 17 91-14	Pulley Idler	165	532 43 82-50	Bracket Pivot Lever
39	872 11 06-22	Bolt 3/8-16 unc x 2-3/4 Gr. 5	166	817 49 05-10	Screw 5/16-18 x 5/8
41	532 17 55-56	Keeper, Belt	168	532 16 54-92	Bolt Shoulder 5/16-18 x .561
47	532 12 77-83	Pulley, Idler	169	532 16 55-80	Plate Fastening
48	532 15 44-07	Bellcrank Asm Clutch	170	532 18 74-14	Keeper, Belt, Transaxle
49	532 12 32-05	Retainer, Belt	197	532 16 96-13	Nyliner Snap-In 5/8 ID
50	872 11 06-12	Bolt, Carr. Sh 3/8-16 x 1-1/2 Gr. 5	198	532 16 95-93	Washer Nylon
51	873 68 06-00	Nut, Crownlock 3/8-16	202	872 11 06-14	Bolt Carr Sh 3/8-16 x 1-3/4 Gr. 5
52	873 68 05-00	Nut, Crownlock 5/16-18	263	817 00 06-12	Screw, 3/8-16 x 3/4 SMGML
53	532 19 96-52	Link, Clutch	268	532 18 24-02	Guard Muffler
55	532 10 57-09	Spring, Return, Clutch	275	819 13 16-14	Washer 13/32 x 1 x 14 Ga.
56	817 06 06-20	Screw 3/8-16 x 1-1/4			
57	532 13 82-55	V-Belt, Drive			
62	532 12 48-72	Cover, Foot Pedal			
63	532 17 54-10	Pulley, Engine			
64	532 17 39-37	Bolt, Hex 7/16-20 x 4 Gr. 5			

NOTE: All component dimensions given in U.S. inches
1 inch = 25.4 mm



**TRACTOR - - MODEL NO. LT2114 (96011029303/04), PRODUCT NO. 960 11 02-93
ENGINE 24**

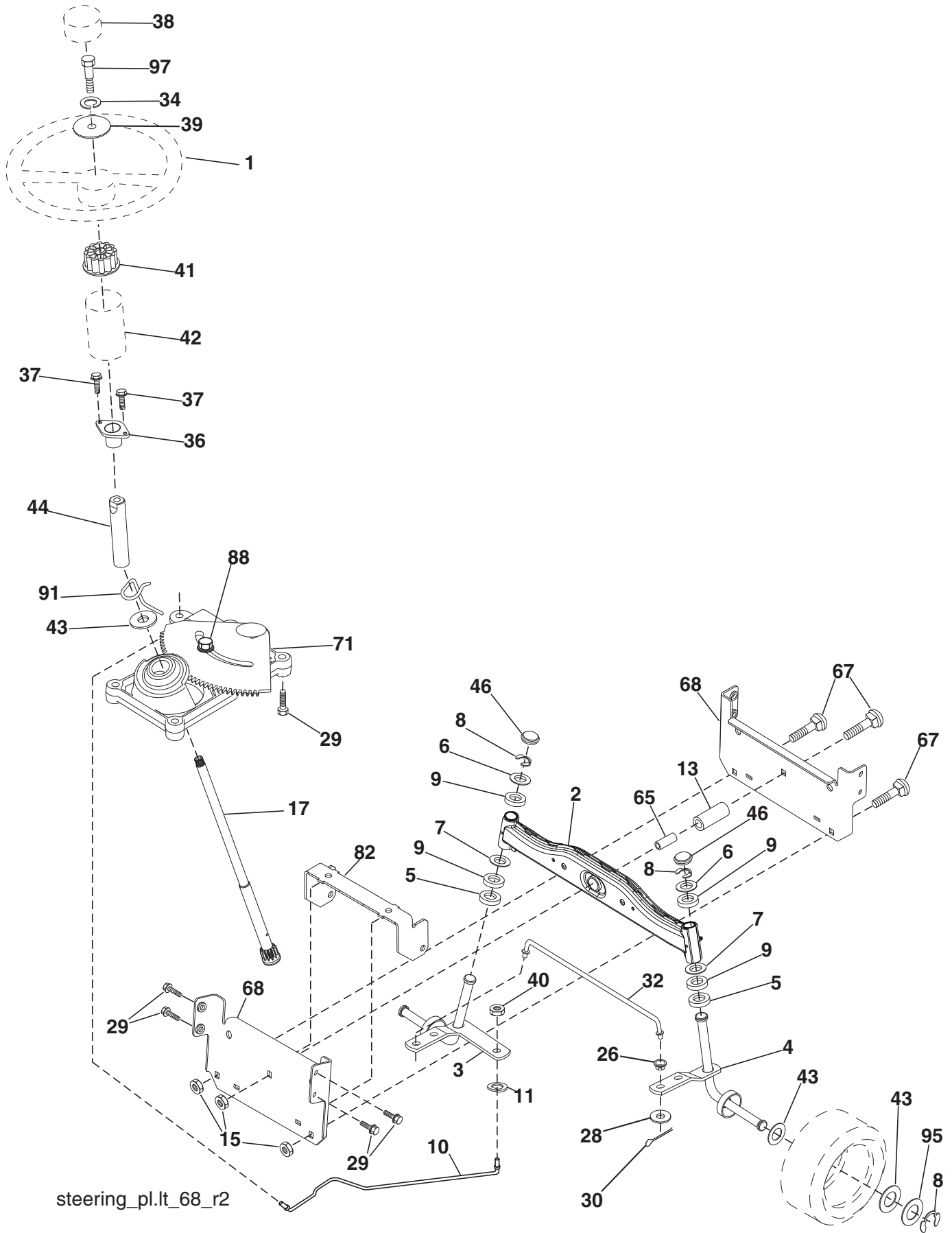
KEY PART NO.	PART NO.	DESCRIPTION
1	532 17 05-51	Control Th/ch Flag
2	817 72 04-08	Screw Hex Thd Cut 1/4-20 x 1/2
3	— — — — —	Engine B&S Model No. 31Q507-0002-H1 (585579801) (Order parts from engine manufacturer.)
4	532 18 86-55	Muffler
8	532 17 18-77	Bolt
13	532 16 52-91	Gasket Eng
23	532 16 98-37	Shield Brn/Dbr Guard
25	532 19 06-95	Control Choke
29	532 13 71-80	Kit Spark Arrecter
31	532 40 75-16	Tank Fuel Front
32	532 43 02-20	Cap Fuel
33	532 12 34-87	Clamp Hose Blk
37	532 13 70-40	Line Fuel 20"
40	532 12 40-28	Bushing Snap Nyl Blk Fuel Line
44	817 67 04-12	Screw Hexwsh Thdrol 1/4-20 x 3/4
45	817 00 06-12	Screw Hexwsh Thdrol 3/8-16 x 3/4
46	819 09 14-16	Washer 9/32 x 7/8 x 16 Ga.
72	532 19 23-34	Screw Socket HD 5/16-18 x .75
78	817 06 06-20	Screw 3/8-16 x 1-1/4
81	873 51 04-00	Nut Keps Hex 1/4-20 unc
117	581 88 09-01	Tube Exhaust B&S M28/31
119	532 40 05-97	Guard Pulley LH
120	532 19 79-48	Guard Pulley RH
121	532 19 66-88	Clip
122	532 42 19-22	Extension Drain Oil
129	532 40 03-28	Guard Pulley Adapter
136	532 13 77-29	Screw 1/4-20 x 5/8

NOTE: All component dimensions given in U.S. inches
1 inch = 25.4 mm

Engine Power Rating Information

The gross power rating for individual gas engine models is labeled in accordance with SAE (Society of Automotive Engineers) code J1940 (Small Engine Power & Torque Rating Procedure), and rating performance has been obtained and corrected in accordance with SAE J1995 (Revision 2002-05). Torque values are derived at 3060 RPM; horsepower values are derived at 3600 RPM. Actual gross engine power will be lower and is affected by, among other things, ambient operating conditions and engine-to-engine variability. Given both the wide array of products on which engines are placed and the variety of environmental issues applicable to operating the equipment, the gas engine will not develop the rated gross power when used in a given piece of power equipment (actual "on-site" or net power). This difference is due to a variety of factors including, but not limited to, accessories (air cleaner, exhaust, charging, cooling, carburetor, fuel pump, etc.), application limitations, ambient operating conditions (temperature, humidity, altitude), and engine-to-engine variability. Due to manufacturing and capacity limitations, Briggs & Stratton may substitute an engine of higher rated power for this Series engine.

TRACTOR - - MODEL NO. LT2114 (96011029303/04), PRODUCT NO. 960 11 02-93
STEERING ASSEMBLY **41**



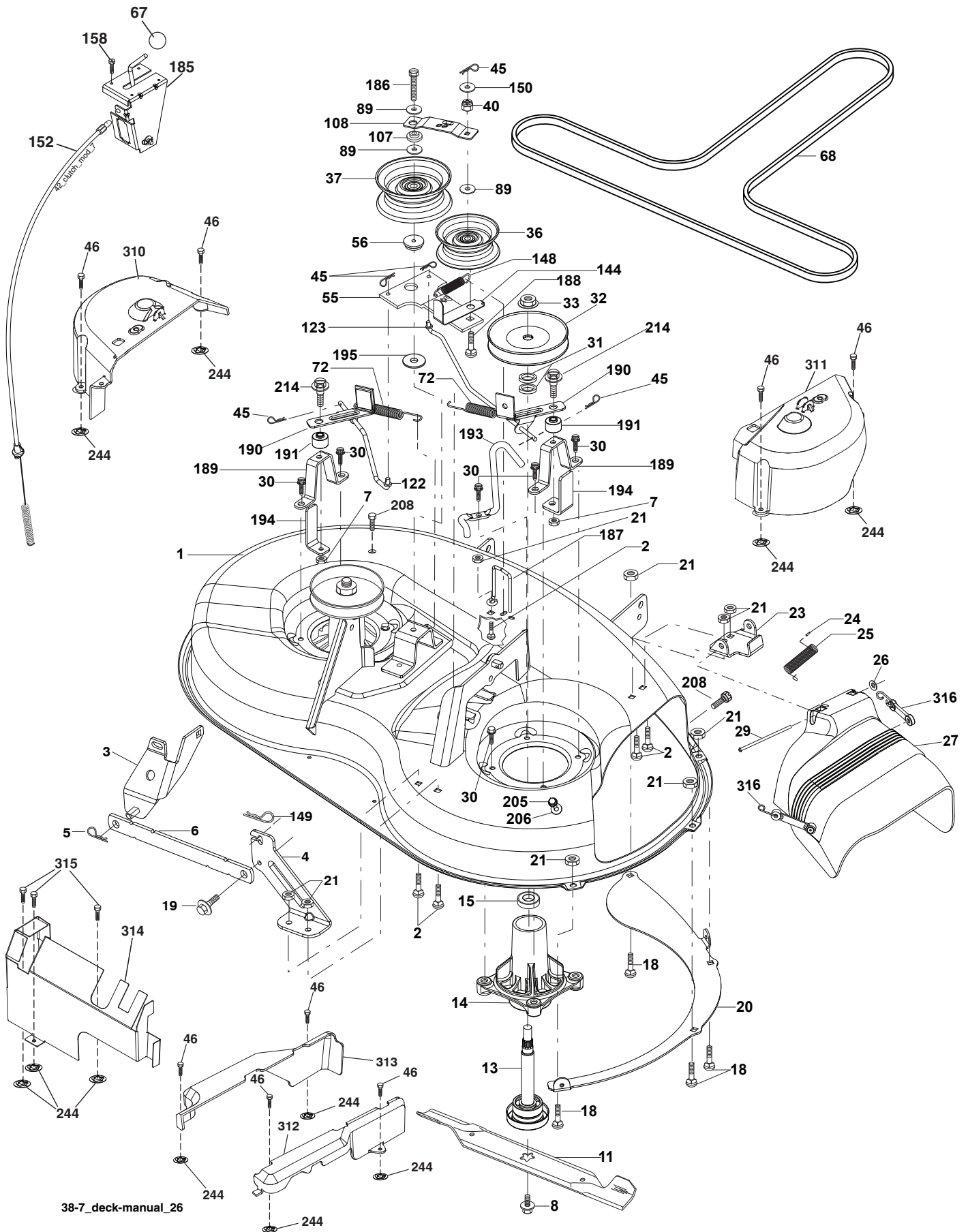
steering_pl.lt_68_r2

**TRACTOR - - MODEL NO. LT2114 (96011029303/04), PRODUCT NO. 960 11 02-93
STEERING ASSEMBLY **41****

KEY NO.	PART NO.	DESCRIPTION
1	532 18 67-80	Wheel Steering Opp. Sears Blk
2	532 41 81-68	Axle Asm
3	532 16 98-40	Spindle Asm LH
4	532 16 98-39	Spindle Asm RH
5	5321249-31	Bearing Race Thrust Harden
6	532 12 17-48	Washer 25/32 x 1-5/8 x 16 Ga.
7	819 27 20-16	Washer 27/32 x 1-1/4 x 16 Ga.
8	812 00 00-29	Ring Klip #t5304-75
9	532 12 49-37	Bearing Col Strg Blk
10	532 17 51-21	Link Drag
11	810 04 06-00	Washer Lock Hvy Hlcl Spr 3/8
13	532 13 65-18	Spacer Brace Axle
15	873 90 06-00	Nut Lock Flg. 3/8-16 unc
17	532 19 07-53	Shaft Asm Strg
26	532 12 68-47	Bushing Link Drag Blk LR
28	819 13 14-16	Washer 13/32 x 7/8 x 16 Ga.
29	817 00 06-12	Screw 3/8-16 x .75
30	876 02 04-12	Pin Cotter 1/8 x 3/4 Cad
32	532 19 27-57	Rod Tie Wire Form 19 75 Mech
34	810 04 05-00	Washer Lock Hvy Hlcl Spr. 5/16
36	532 15 50-99	Bushing Strg Nat .623/.618ld
37	532 15 29-27	Screw TT #10-32 x 5 x 3/8 Flange
38	532 19 29-16	Cap Wheel Steer P/L
39	819 11 38-12	Washer 11/32 x 2-3/8
40	873 54 06-00	Nut Crownlock 3/8-24
41	532 18 67-37	Adaptor Wheel Strg
42	532 16 96-33	Boot Shaft Steering
43	532 12 17-49	Washer 25/32 x 1 1/4 x 16 Ga.
44	532 19 07-52	Extension Steering
46	532 12 12-32	Cap Spindle Fr Top Blk
65	532 41 47-36	Spacer Brace Axle
67	872 11 06-18	Bolt RDHD SQ 3/8-16 unc x 2-1/4
68	532 16 98-27	Brace Axle
71	532 17 51-46	Steering Asm
82	532 19 99-78	Bracket Susp. Chassis Front
88	532 17 51-18	Bolt Shoulder 7/16-20
91	532 17 55-53	Cup Steering
95	532 18 89-67	Washer Hardened
97	532 42 89-82	Bolt Fin Hex 5/16-18 unc x 4 w/Patch

NOTE: All component dimensions given in U.S. inches.
1 inch = 25.4 mm.

TRACTOR - - MODEL NO. LT2114 (96011029303/04), PRODUCT NO. 960 11 02-93
 MOWER DECK **44**

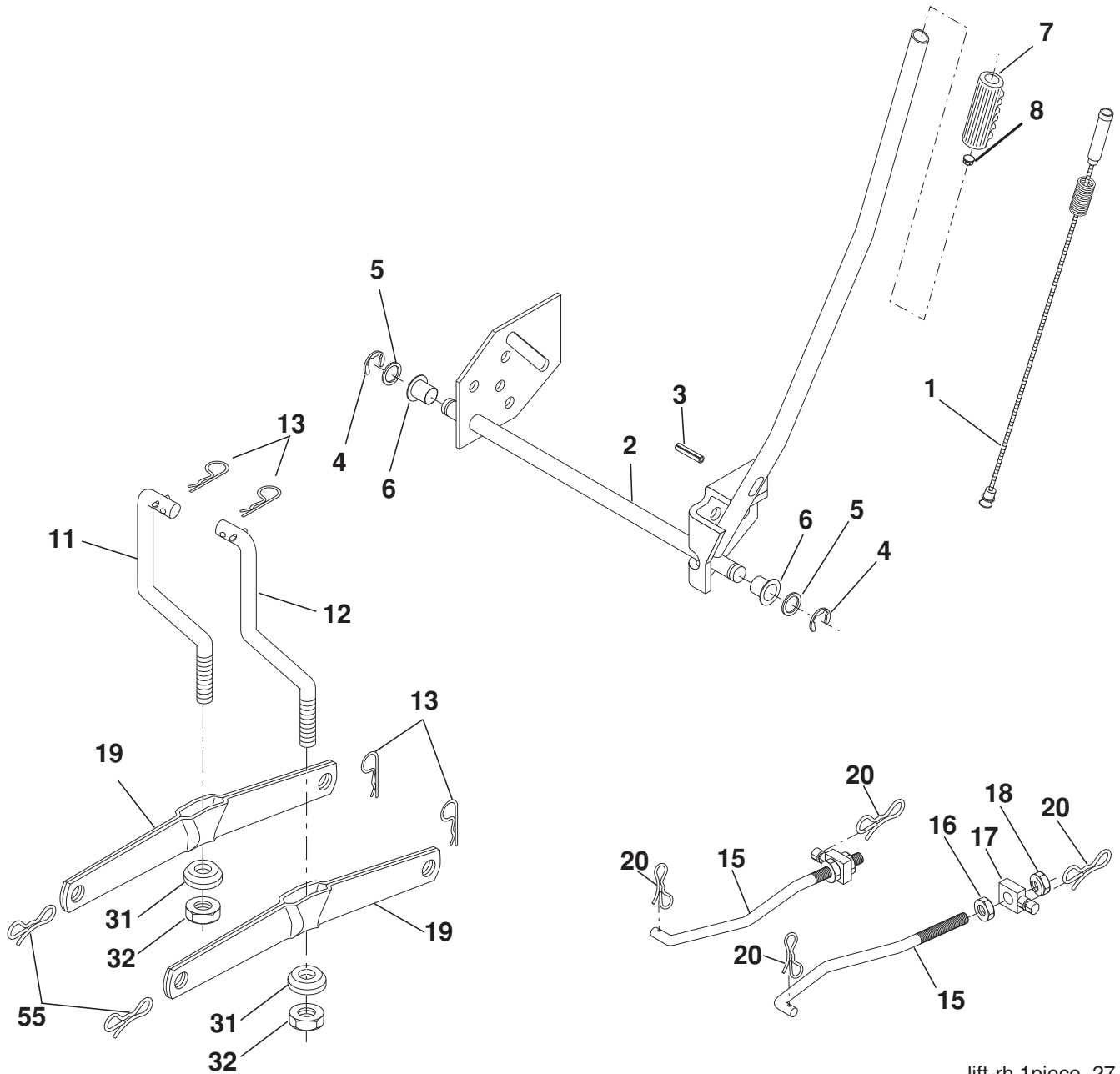


**TRACTOR - - MODEL NO. LT2114 (96011029303/04), PRODUCT NO. 960 11 02-93
MOWER DECK 44**

KEY NO.	PART NO.	DESCRIPTION	KEY NO.	PART NO.	DESCRIPTION
1	532 19 25-56	Mower Housing Assembly	144	532 19 34-14	Keeper Belt Idler Tension
2	872 14 05-06	Bolt Carriage 5/16-18 x 3/4	148	532 16 90-22	Spring Return Idler
3	532 13 80-17	Bracket Asm	149	532 16 58-98	Retainer Spring
4	532 19 25-68	Bracket Deck Sway Bar 38"/42"	150	819 09 12-10	Washer 9/32 x 3/4 x 10 Ga.
5	532 12 46-70	Retainer Spring	152	532 19 32-35	Clutch Cable
6	532 17 80-24	Bar Sway Deck	158	817 72 04-08	Screw 1/4-20 x 1/2
7	873 80 05-00	Nut Lock Hex w/Ins. 5/16-18 unc	185	532 18 82-34	Head Asm
8	532 19 30-03	Bolt 3/8-24 x 1.25 Gr. 8	186	817 49 06-44	Screw Hex Wsh Thdrol 3/8-16 x 2-3/4
11	532 19 39-57	Blade Mower	187	532 19 34-12	Keeper Belt
13	532 19 28-72	Shaft Assembly, Mandrel, Vented	188	532 16 58-91	Bolt Carriage Idler
14	532 18 72-81	Housing, Mandrel, Vented	189	532 19 25-59	Stand, Brake
15	532 11 04-85	Bearing, Ball, Mandrel	190	532 19 25-60	Arm, Brake
18	872 14 05-05	Bolt Rdhd Sqnk 3/8-16 x 3/4	191	532 19 25-61	Spacer, Brake
19	532 13 28-27	Bolt, Shoulder	193	532 19 34-13	Keeper Belt Rh Mandrel
20	532 40 00-95	Baffle Vortex Front	194	532 19 41-05	Guard Brake
21	873 68 05-00	Nut	195	819 13 32-10	Washer
23	532 19 25-57	Bracket, Mower Deflector	205	817 49 04-16	Screw 1/4 - 20 x 1.0077
24	532 10 53-04	Cap, Sleeve	206	819 09 14-16	Washer 9/32 x 7/8 x 16 Ga.
25	532 19 70-26	Spring, Torsion, Deflector	208	817 67 06-08	Screw 3/8 - 16 x 1/2
26	532 11 04-52	Nut, Push	214	532 19 37-82	Bolt/Washer Asm 5/16-18
27	532 40 16-18	Shield, Deflector	244	532 42 30-62	Palnut 1/4"
29	532 13 14-91	Rod, Hinge	310	532 43 02-51	Cover Mandrel LH
30	532 17 39-84	Screw Thdrol.	311	532 43 02-52	Cover Mandrel RH
31	532 18 76-90	Washer, Spacer	312	532 42 17-90	Shield Deck RH
32	532 15 35-32	Pulley, Mandrel	313	532 42 17-89	Shield Deck LH
33	532 40 02-34	Nut, Toplock	314	532 43 02-50	Cover Rear
36	532 13 14-94	Pulley, Idler, Flat	315	817 60 04-06	Screw 1/4-20 x 3/8
37	532 19 31-98	Pulley Idler Flat	316	532 43 60-87	Kit Strap Bungee
40	873 68 06-00	Nut, Crownlock 3/8-16 unc	--	532 19 25-58	Brake Assembly (Includes Stand, Arm and Guard Components)
45	532 12 47-88	Retainer Spring	--	532 19 28-70	Mandrel Assembly (Includes Housing (Key#14), Shaft Assembly (Key#13) and Bearing Only (Key#15) - Pulley/Nut/Washer and Blade Bolt/ Washers Not Included.)
46	532 13 77-29	Screw 1/4-20 x 5/8	--	532 43 18-41	Replacement Mower, Complete
55	532 13 38-40	Idler Arm Assembly			
56	532 16 57-23	Spacer, Retainer			
67	532 10 69-32	Knob			
68	532 19 32-14	V-Belt			
72	532 19 32-16	Spring Brake Return			
89	819 13 13-11	Washer 13/32 x 13/16 x 11 Ga.			
107	532 13 35-02	Spacer Retainer			
108	532 13 35-03	Stiffener, Idler Arm			
122	532 41 01-89	Rod, Brake LH			
123	532 41 01-90	Rod, Brake RH			

NOTE: All component dimensions given in U.S. inches
1 inch = 25.4 mm

TRACTOR - - MODEL NO. LT2114 (96011029303/04), PRODUCT NO. 960 11 02-93
MOWER LIFT **45**



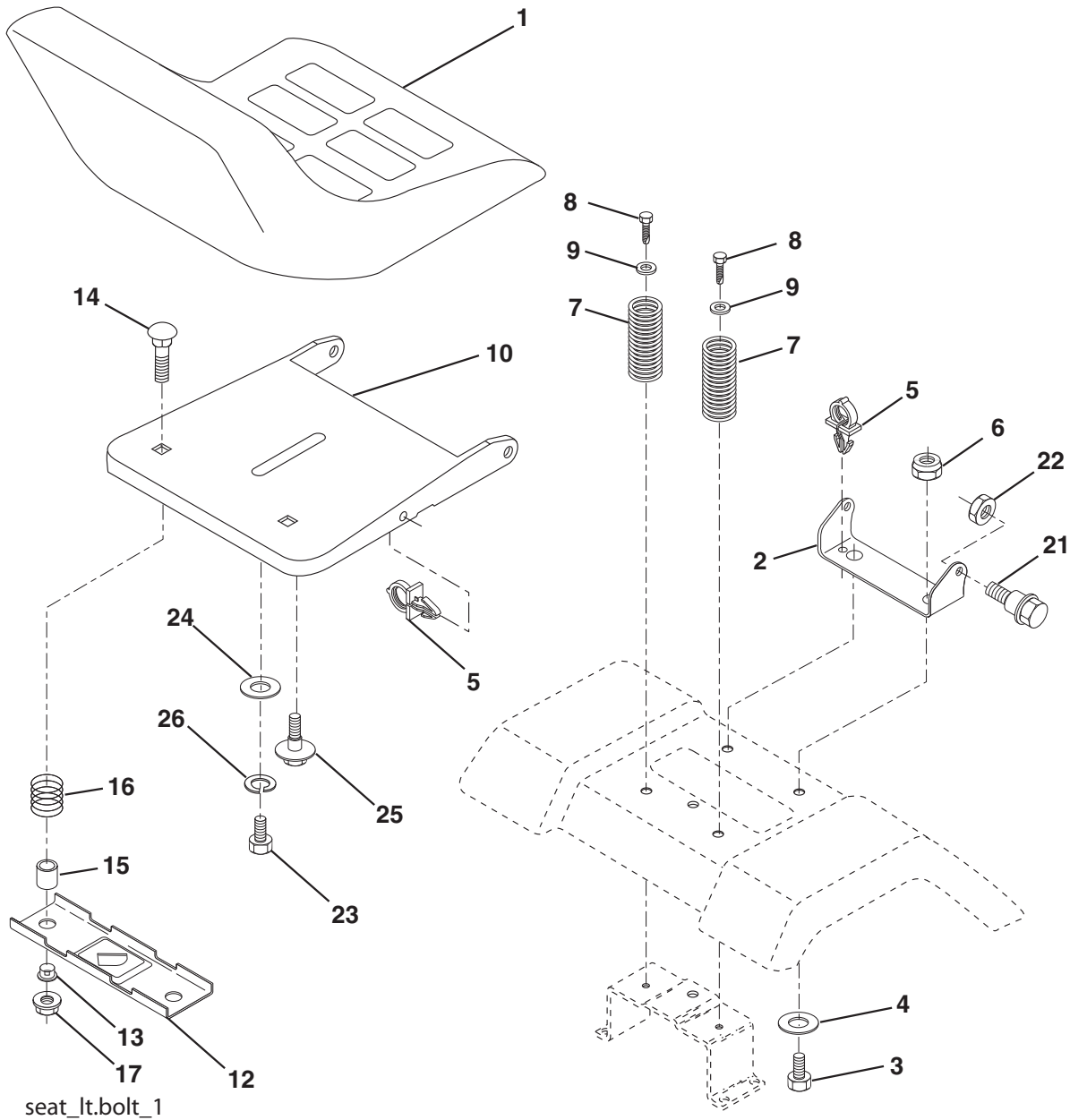
lift-rh.1piece_27

KEY NO.	PART NO.	DESCRIPTION
1	585 14 77-02	Plunger Asm. Lift Lever
2	585 14 76-02	Shaft Asm Lift
3	532 18 88-22	Pin Groove
4	812 00 00-02	E Ring #5133-62
5	819 21 16-21	Washer PLTD 21/32 x 1 x 21Ga
6	532 12 01-83	Bearing Nylon Blk 629 Id
7	532 10 94-13	Grip Handle Bicycle Matte Blk
8	532 12 23-65	Button Plunger Red
11	532 13 98-65	Link Lift LH
12	532 13 98-66	Link Lift RH
13	532 12 46-70	Retainer Spring
15	532 17 32-88	Link Front

KEY NO.	PART NO.	DESCRIPTION
16	873 35 08-00	Nut Jam Hex 1/2-13 unc
17	532 17 56-89	Trunnion
18	873 80 08-00	Nut Lock w/Wsh 1/2-13 unc
19	532 13 98-68	Arm Suspension Rear
20	532 19 42-09	Pin Cotter 7/16 Bow Tie Lock
31	532 16 98-65	Bearing Pvt Lift
32	873 54 06-00	Nut Crownlock 3/8-24
55	532 19 42-08	Pin Cotter 5/16 Bow Tie Lock

NOTE: All component dimensions given in U.S. inches
1 inch = 25.4 mm

**TRACTOR - - MODEL NO. LT2114 (96011029303/04), PRODUCT NO. 960 11 02-93
SEAT ASSEMBLY 42**



KEY PART NO.	PART NO.	DESCRIPTION
1	532 40 10-42	Seat
2	532 14 05-51	Bracket Pivot Seat 8 720
3	871 11 06-16	Bolt Fin Hex 3/8-16 unc x 1
4	819 13 16-10	Washer 13/32 x 1 x 10 Ga
5	532 14 50-06	Clip Push-In
6	873 80 06-00	Nut Lock Hex w/Wsh 3/8-16 unc
7	532 12 41-81	Spring Seat Cprsn 2 250 Blk Zi
8	817 00 06-16	Screw 3/8-16 x 1.5
9	819 13 16-14	Washer 13/32 x 1 x 14 Ga.
10	532 19 55-30	Pan Seat
12	532 17 46-48	Bracket Mounting Switch
13	532 12 12-48	Bushing Snap Blk Nyl 50 Id
14	872 05 04-12	Bolt Rdhd Sht Nk 1/4-20 x 1-1/2

KEY PART NO.	PART NO.	DESCRIPTION
15	532 13 43-00	Spacer Split 28 x 96 Yel Zinc
16	532 12 12-50	Spring Cprsn 1 27 Blk Pnt
17	532 12 39-76	Nut Lock 1/4 Lge Flg Gr. 5 Zinc
21	532 17 18-52	Bolt Shoulder 5/16-18 unc -2A
22	873 80 05-00	Nut Lock Hex w/Insert 5/16-18 unc
23	871 11 08-14	Bolt Hex
24	819 17 19-12	Washer 17/32 x 1-3/16 x 12 Ga.
25	532 12 70-18	Bolt Shoulder 5/16-18 x 62
26	810 04 08-00	Washer Lock Hvy HLCLSPR 1/2

NOTE: All component dimensions given in U.S. inches.
1 inch = 25.4 mm

