

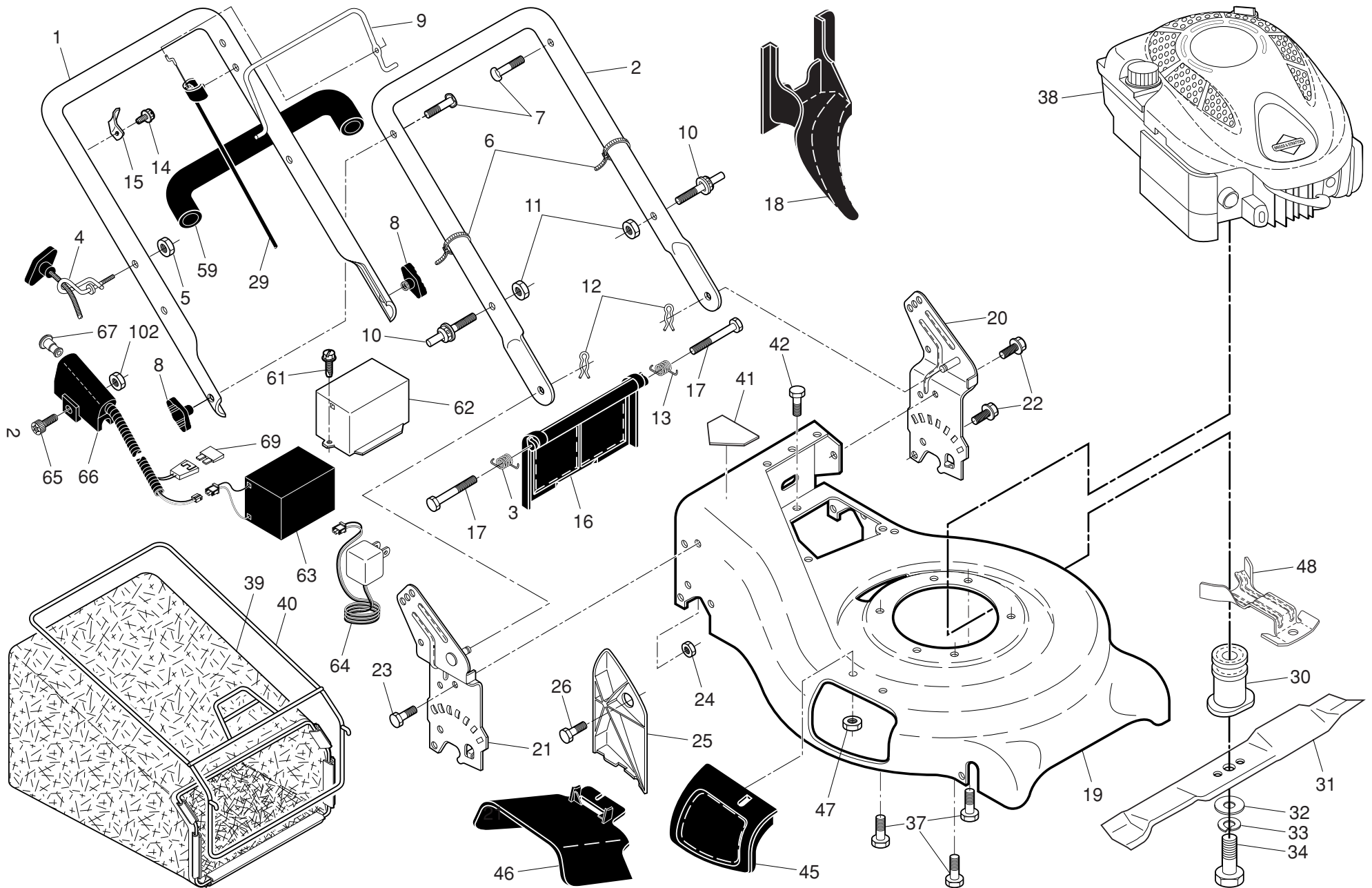
ILLUSTRATED PARTS LIST

MODEL NUMBER LM 2152CMDAE

PRODUCT NUMBER 961 41 02-77

MFG. ID. NUMBER 96141027700

JONSERED ROTARY LAWN MOWER - MODEL NO. LM 2152CMDAE (96141027700) PRODUCT NO. 961 41 02-77

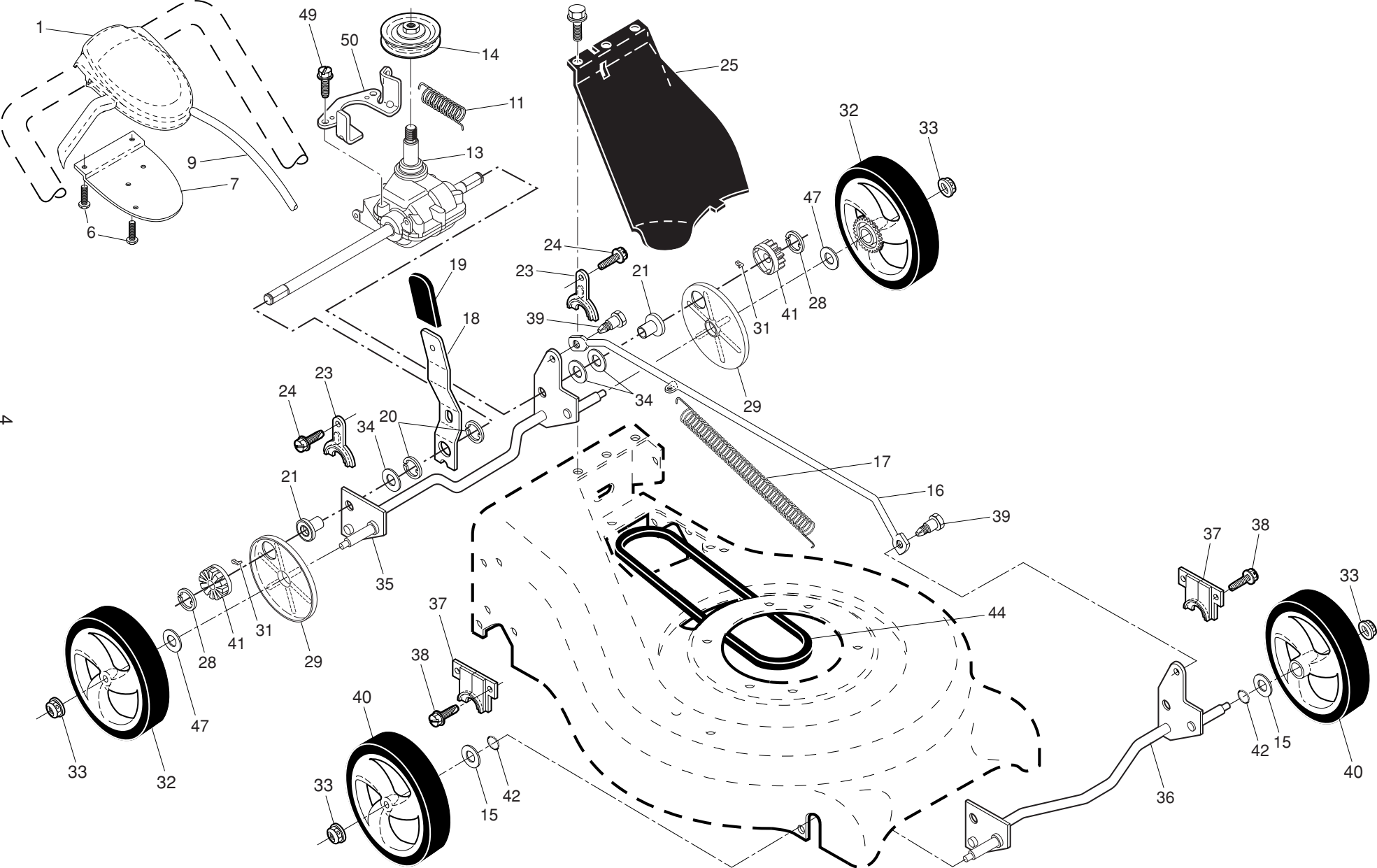


JONSERED ROTARY LAWN MOWER - MODEL NO. LM 2152CMDAE (96141027700) PRODUCT NO. 961 41 02-77

KEY NO.	PART NO.	DESCRIPTION	KEY NO.	PART NO.	DESCRIPTION
1	532 18 45-76	Handle, Upper (Includes Foam Grip)	33	532 85 02-63	Lockwasher, Helical Spring 3/8
2	532 19 60-05	Handle, Lower	34	532 85 10-84	Screw, Hex Head 3/8-24 x 1.38
3	532 40 54-16	Spring, Rear Door, RH	37	532 15 04-06	Bolt, Engine
4	532 19 47-88	Guide, Rope, Side	38	- - -	Engine, Briggs & Stratton, Model Number 124T05-0311-H1 (order parts from engine manufacturer)
5	532 13 20-04	Nut, Hex Lockwasher Insert 1/4-20			
6	532 06 64-26	Wire, Tie			
7	532 19 15-74	Bolt, Handle 5/16-18 x 1.75	39	581 00 29-01	Grassbag
8	532 19 19-38	Knob, Handle	40	532 41 19-51	Frame, Grassbag
9	532 42 65-05	Bail, Flat, Auto-Walk, Orange	41	532 18 21-66	Danger Decal
10	532 18 88-21	Bolt, Carriage	42	817 06 04-10	Screw
11	532 75 11-53	Nut, Hex, Centerlock 5/16-18 UNC	45	532 19 13-41	Mulcher Door Assembly
12	532 05 17-93	Cotter, Hairpin	46	532 19 12-10	Deflector, Discharge
13	532 40 54-15	Spring, Rear Door, LH	47	532 08 83-49	Nut, Hex
14	532 17 88-48	Screw, Hex Washer Head #10-16 x 5/8	48	532 42 90-01	Belt Retainer
15	532 43 00-34	Bracket, Upstop	59	532 18 27-48	Grip, Handle, Foam, Smooth
16	532 40 88-88	Rear Door Assembly	61	532 16 34-09	Screw, Hi-Lo Thread
17	532 18 41-93	Bolt, Rear Door	62	532 40 80-02	Box, Battery
18	532 19 81-70	Plug, Mulcher	63	532 18 95-89	Battery
19	532 43 87-14	Kit, Lawn Mower Housing	64	532 19 24-36	Charger, Battery
20	532 19 40-29	Handle Bracket Assembly, LH	65	532 44 66-94	Screw
21	532 19 40-31	Handle Bracket Assembly, RH	66	580 91 55-02	Electric Start Assembly (Includes Switch Housing, Switch and Wiring Harness)
22	532 42 88-67	Screw, Hex Washer Head			
23	532 16 31-83	Bolt, Hex Head 5/16-18 x 5/8	67	580 91 52-01	Starter Button
24	873 80 05-00	Nut, Hex, with Lock Washer Insert 5/16-18	69	532 42 59-37	Fuse, 40 Amp
25	532 16 13-33	Baffle, Side	102	532 44 66-95	Nut, Hex M6
26	532 16 34-09	Screw 12 x 5/8	--	532 18 21-91	Warning Decal (not shown)
29	532 42 74-97	Cable, Operator Presence	--	115 49 70-20	Operator's Manual, European
30	532 42 11-76	Blade Adapter / Pulley	--	115 49 71-10	Operator's Manual, Scandinavian
31	532 19 93-77	Blade, 21"	--	115 49 71-50	Operator's Manual, East Bloc
32	532 85 10-74	Washer, Hardened	--	115 49 71-40	Operator's Manual, Baltic

NOTE: All component dimensions given in U.S. inches. 1 inch = 25.4 mm. **IMPORTANT:** Use only Original Equipment Manufacturer (O.E.M.) replacement parts. Failure to do so could be hazardous, damage your lawn mower and void your warranty.

JONSERED ROTARY LAWN MOWER - MODEL NO. LM 2152CMDAE (96141027700) PRODUCT NO. 961 41 02-77



JONSERED ROTARY LAWN MOWER - MODEL NO. LM 2152CMDAE (96141027700) PRODUCT NO. 961 41 02-77

KEY NO.	PART NO.	DESCRIPTION	KEY NO.	PART NO.	DESCRIPTION
1	532 43 31-60	Drive Control Assembly (Includes Cable)	28	812 00 00-58	E-Ring 7/16
6	532 18 16-98	Screw, Phillips Head #10 x 5/8	29	532 18 94-03	Cover, Dust, Wheel
7	532 40 07-23	Mounting Bracket, Drive Control	31	532 40 48-45	Pawl, Drive
9	532 40 62-58	Cable, Drive Control	32	581 68 53-01	Wheel & Tire Assembly, Rear
11	532 40 65-58	Spring, Return	33	532 40 91-48	Nut, Hex, Flangelock 3/8-16
13	532 41 92-13	Gear Case Assembly, Complete	34	532 85 12-26	Washer
14	532 19 34-43	Pulley, Drive	35	532 41 09-22	Shaft Assembly, Rear
15	532 08 83-48	Washer, Flat	36	532 41 09-33	Shaft Assembly, Front
16	532 40 71-47	Rod, Connecting	37	532 16 14-63	Retainer, Front Shaft
17	532 40 96-16	Spring, Extension	38	532 16 34-09	Screw #12 x 5/8
18	532 41 88-66	Spring Selector	39	532 40 70-59	Bolt, Shoulder, Semi-Gimlet Point
19	532 19 00-69	Knob, Selector Spring	40	532 41 13-24	Wheel & Tire Assembly, Front 8 x 2
20	812 00 00-22	E-Ring	41	532 40 48-35	Pinion
21	532 40 48-38	Bearing Assembly	42	532 19 74-80	O-Ring
23	532 16 45-55	Retainer, Drive Assembly, Stamped	44	532 40 65-80	V-Belt
24	817 06 04-10	Screw, Tapping, Hex Head 1/4-20 x 3/4	47	532 06 77-25	Washer 1/2 x 1-1/2 x .134
25	532 43 26-70	Drive Cover Assembly (Includes Mounting Screw and Pushnut)	49	532 16 34-09	Screw, Hi-Lo Thread
			50	532 41 31-04	Belt Keeper

NOTE: All component dimensions given in U.S. inches. 1 inch = 25.4 mm. **IMPORTANT:** Use only Original Equipment Manufacturer (O.E.M.) replacement parts. Failure to do so could be hazardous, damage your lawn mower and void your warranty.