

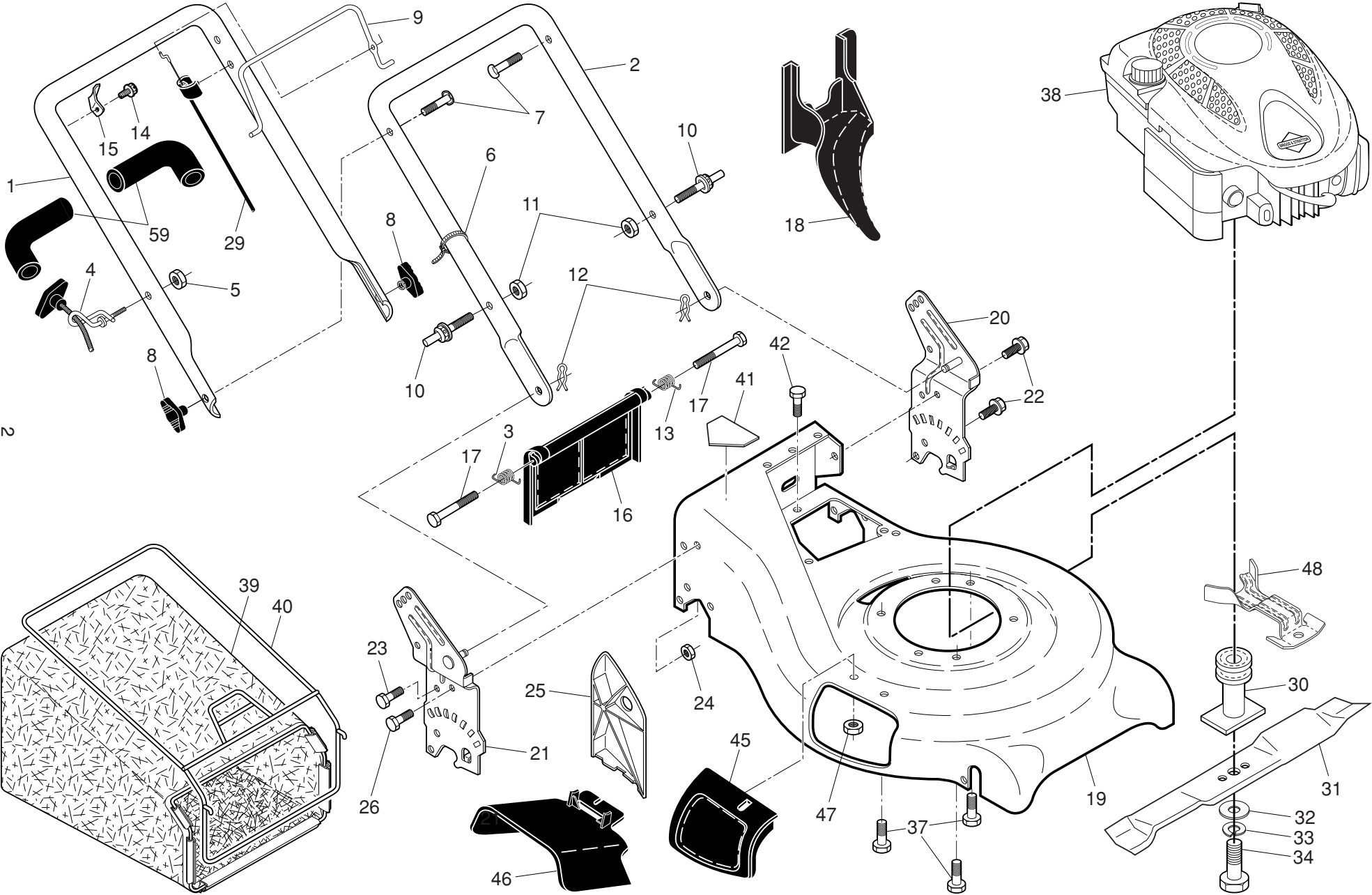
ILLUSTRATED PARTS LIST

MODEL NUMBER LM 2152CMDA

PRODUCT NUMBER 961 41 01-94

MFG. ID. NUMBER 96141019405

JONSERED ROTARY LAWN MOWER - MODEL NO. LM 2152CMDA (96141019405) PRODUCT NO. 961 41 01-94



JONSERED ROTARY LAWN MOWER - MODEL NO. LM 2152CMDA (96141019405) PRODUCT NO. 961 41 01-94

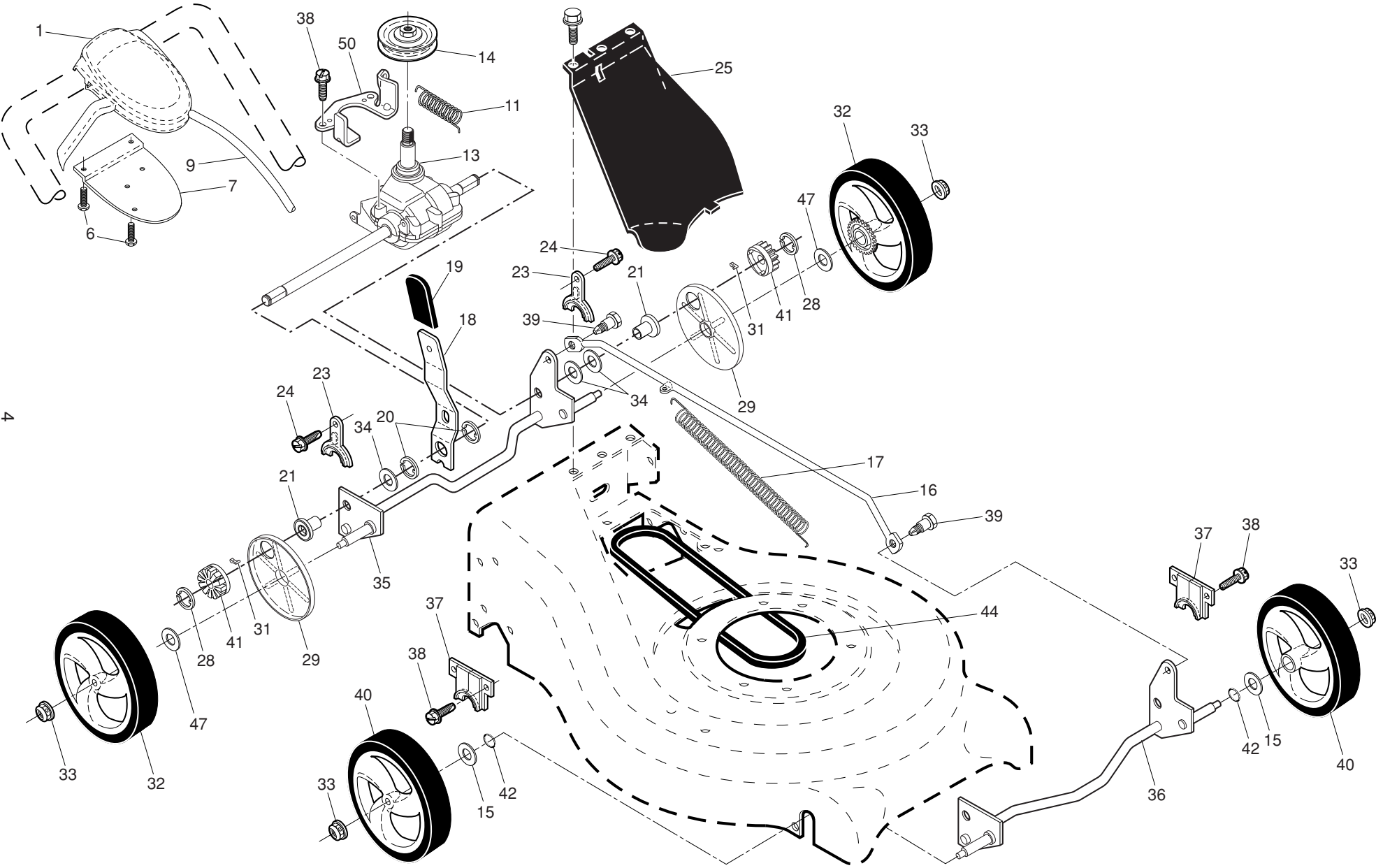
KEY NO.	PART NO.	DESCRIPTION
1	580 63 87-09	Upper Handle Assembly (Includes Foam Grip)
2	532 19 60-05	Handle, Lower
3	532 40 54-16	Spring, Rear Door, RH
4	532 19 47-88	Guide, Rope, Side
5	532 13 20-04	Nut, Hex, with Lockwasher Insert 1/4-20
6	532 06 64-26	Wire, Tie
7	532 19 15-74	Bolt, Handle 5/16-18 x 2-5/8
8	532 19 19-38	Knob, Handle
9	532 42 65-05	Control Bar
10	532 18 88-21	Bolt, Carriage
11	532 75 11-53	Nut, Hex, with Lockwasher Insert 5/16-18 UNC
12	532 05 17-93	Cotter, Hairpin
13	532 40 54-15	Spring, Rear Door, LH
14	532 17 88-48	Screw, Hex Washer Head #10-16 x 5/8
15	532 43 00-34	Bracket, Upstop
16	532 40 88-88	Rear Door Assembly
17	532 18 41-93	Bolt, Rear Door
18	532 19 81-70	Plug, Mulcher
19	532 43 87-14	Kit, Housing
20	532 19 40-29	Handle Bracket Assembly, LH
21	532 19 40-31	Handle Bracket Assembly, RH
22	532 42 88-67	Screw, Hex Washer Head
23	532 16 31-83	Bolt, Hex Head 5/16-18 x 5/8
24	873 80 05-00	Nut, Hex, with Lockwasher Insert 5/16-18

KEY NO.	PART NO.	DESCRIPTION
25	532 16 13-33	Baffle, Side
26	532 16 34-09	Screw #12 x 5/8
29	532 42 74-97	Cable, Engine Zone Control
30	532 42 11-76	Blade Adapter / Pulley
31	532 19 93-77	Blade, 21"
32	532 85 10-74	Washer
33	532 85 02-63	Washer, Lock
34	532 85 10-84	Bolt, Hex Head
37	532 15 04-06	Bolt, Engine
38	- - -	Engine, Briggs & Stratton, Model Number 124T02-0310-H1 (Order parts from Engine manufacturer)
39	581 00 29-01	Grassbag
40	532 41 19-51	Frame, Grassbag
41	532 18 21-66	Danger Decal
42	817 06 04-10	Screw
45	532 19 13-41	Mulcher Door
46	532 19 12-10	Discharge Deflector
47	532 08 83-49	Locknut, Hex
48	532 42 90-01	Belt Keeper
59	532 18 27-48	Grip, Foam
--	532 18 21-34	Warning Decal (not shown)
--	532 43 20-54	Operator's Manual, European
--	532 43 20-55	Operator's Manual, Scandinavian
--	532 43 20-56	Operator's Manual, East Bloc
--	532 43 20-57	Operator's Manual, Baltic

NOTE: All component dimensions given in U.S. inches. 1 inch = 25.4 mm

IMPORTANT: Use only Original Equipment Manufacturer (O.E.M.) replacement parts. Failure to do so could be hazardous, damage your lawn mower and void your warranty.

JONSERED ROTARY LAWN MOWER - MODEL NO. LM 2152CMDA (96141019405) PRODUCT NO. 961 41 01-94



JONSERED ROTARY LAWN MOWER - MODEL NO. LM 2152CMDA (96141019405) PRODUCT NO. 961 41 01-94

KEY NO.	PART NO.	DESCRIPTION	KEY NO.	PART NO.	DESCRIPTION
1	532 43 31-60	Drive Control Assembly (Includes Cable)	28	812 00 00-58	E-Ring 7/16
6	532 18 16-98	Screw, Tapping, Hex Washer Head #10-24	29	581 84 04-01	Cover, Dust, Wheel
7	532 40 07-23	Mounting Bracket, Drive	31	532 40 48-45	Pawl, Drive
9	532 40 62-58	Cable, Drive Control	32	581 68 53-01	Wheel & Tire Assembly, Rear
11	532 40 65-58	Spring, Return	33	532 40 91-48	Nut, Hex, Flangelock 3/8-16
13	532 41 92-13	Gear Case Assembly, Complete	34	532 85 12-26	Washer
14	532 19 34-43	Pulley, Drive	35	532 41 09-22	Shaft Assembly, Rear
15	532 08 83-48	Washer, Flat 3/8	36	532 41 09-33	Shaft Assembly, Front
16	532 40 71-47	Rod, Connecting	37	532 16 14-63	Retainer, Front Shaft
17	532 40 96-16	Spring, Extension	38	532 16 34-09	Screw, Hi-Lo Thread #12 x 5/8
18	532 41 88-66	Spring, Selector	39	532 40 70-59	Bolt
19	532 19 00-69	Knob, Selector Spring	40	532 41 13-24	Wheel & Tire Assembly, Front 8 x 2
20	812 00 00-22	E-Ring 7/8	41	532 40 48-35	Pinion
21	532 41 24-50	Bearing Assembly	42	532 19 74-80	O-Ring
23	532 16 45-55	Retainer, Drive Assembly, Stamped	44	532 40 65-80	V-Belt
24	817 06 04-10	Screw, Tapping, Hex Head 1/4-20 x 3/4	47	532 06 77-25	Washer 1/2 x 1-1/2 x .134
25	532 43 26-71	Drive Cover Assembly (Includes Mounting Screw and Pushnut)	50	532 41 31-04	Belt Keeper

NOTE: All component dimensions given in U.S. inches. 1 inch = 25.4 mm

IMPORTANT: Use only Original Equipment Manufacturer (O.E.M.) replacement parts. Failure to do so could be hazardous, damage your lawn mower and void your warranty.