



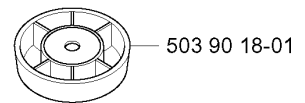
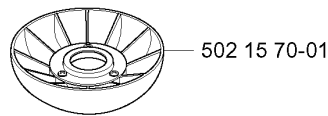
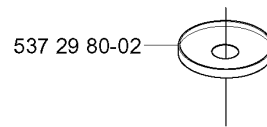
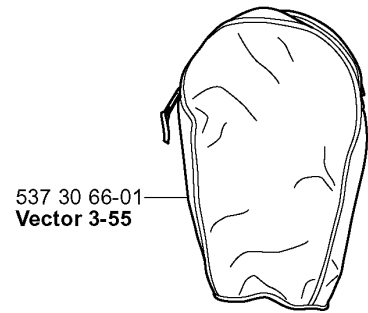
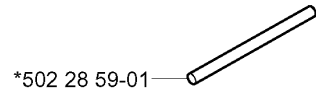
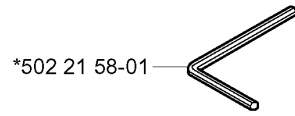
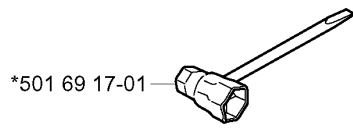
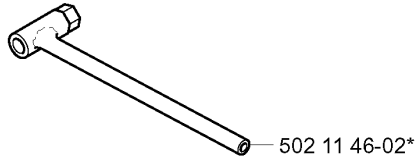
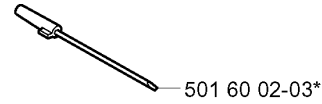
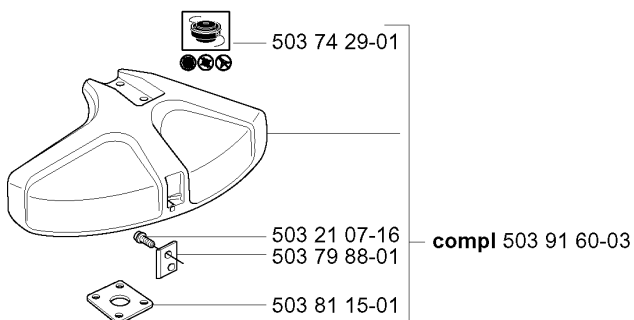
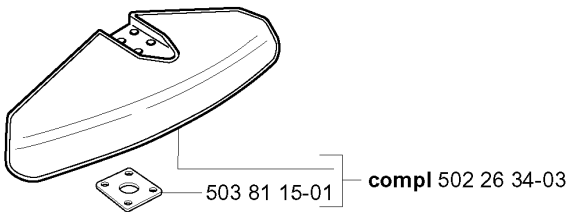
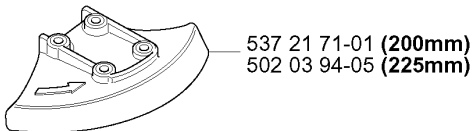
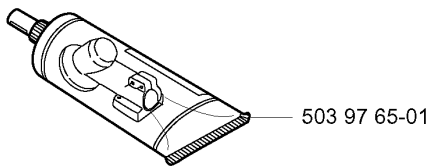
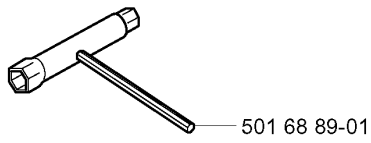
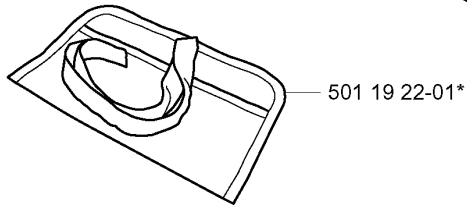
SPARE PARTS LIST

BRUSHCUTTERS/CLEARING SAWS

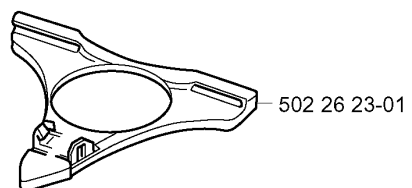
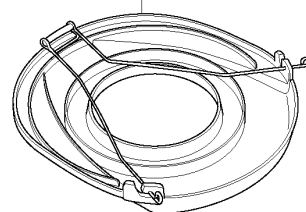
GR41 from 2014-12

S Accessories
Zubehöre
Accessoires
Accesorios
Tillbehör

*compl 502 27 33-03



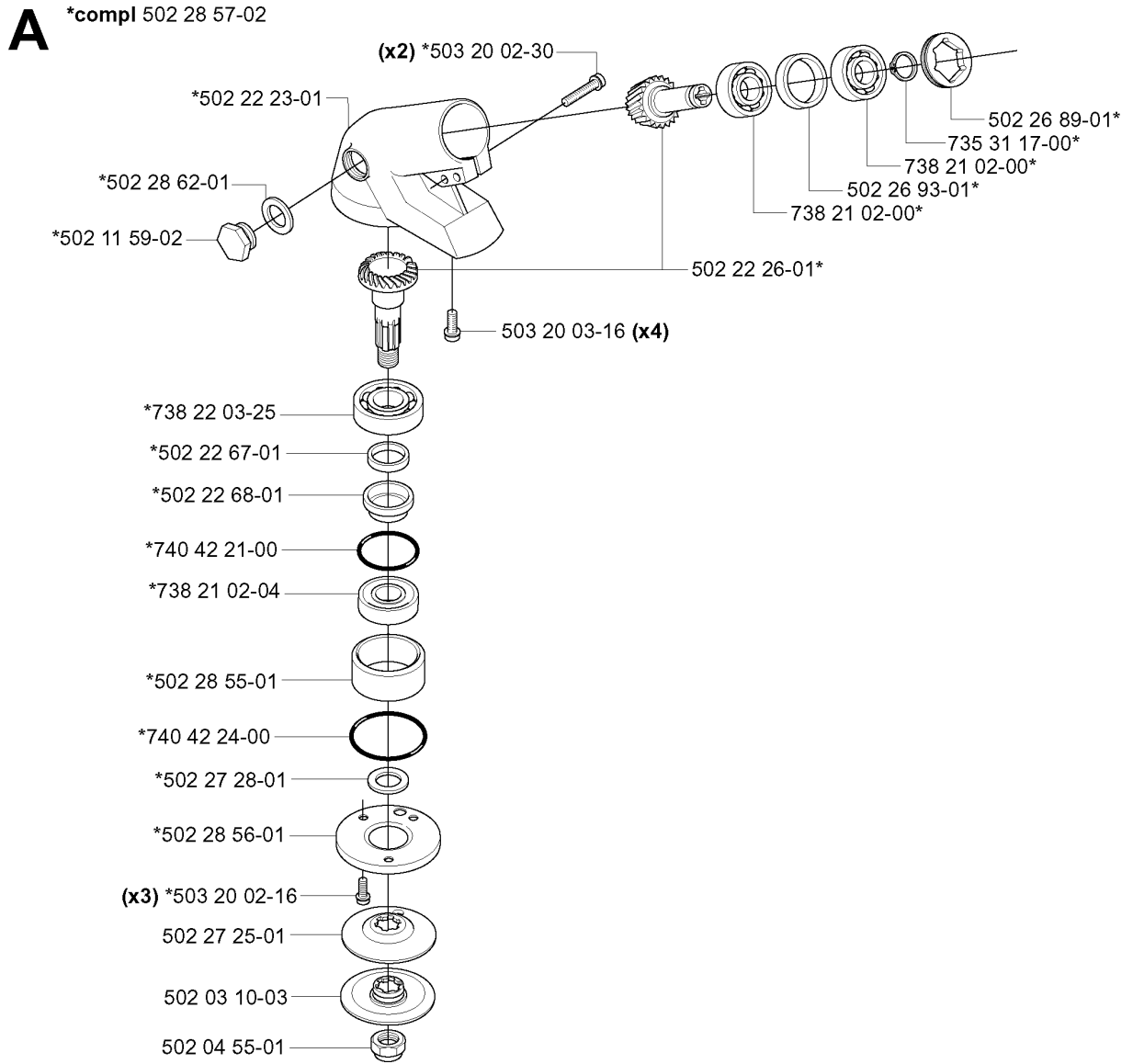
537 31 29-01 (200-275 mm)



ACCESSORIES

GR41 from 2014-12

Part No	Description	Remark	QTY KIT
501 19 22-01	TOOL		1
501 60 02-03	SCREWDRIVER		1
501 68 89-01	SLEEVE TOOL		1
501 69 17-01	COMBINATION WRENCH		1
502 03 94-05	SAW BLADE GUARD	225MM	1
502 11 46-02	SOCKET WRENCH		1
502 15 70-01	SUPPORT CUP		1
502 21 58-01	WRENCH		1
502 26 23-01	TRANSPORT GUARD		1
502 26 34-03	SPLASH GUARD		1
502 27 33-03	TOOL KIT		1
502 28 59-01	STOP		1
503 21 07-16	SCREW IHSCT		1
503 74 29-01	DECAL		1
503 79 88-01	BLADE		1
503 81 15-01	BASEPLATE		1
503 81 15-01	BASEPLATE		1
503 90 18-01	SUPPORT CUP		1
503 91 60-03	TRIMMER GUARD		1
503 97 65-01	GREASE		1
537 21 71-01	SAW BLADE GUARD	200MM	1
537 29 80-02	CUP		1
537 30 66-01	BAG	VECTOR 3-55	1
537 31 29-01	TRANSPORT GUARD	200-275 MM	1

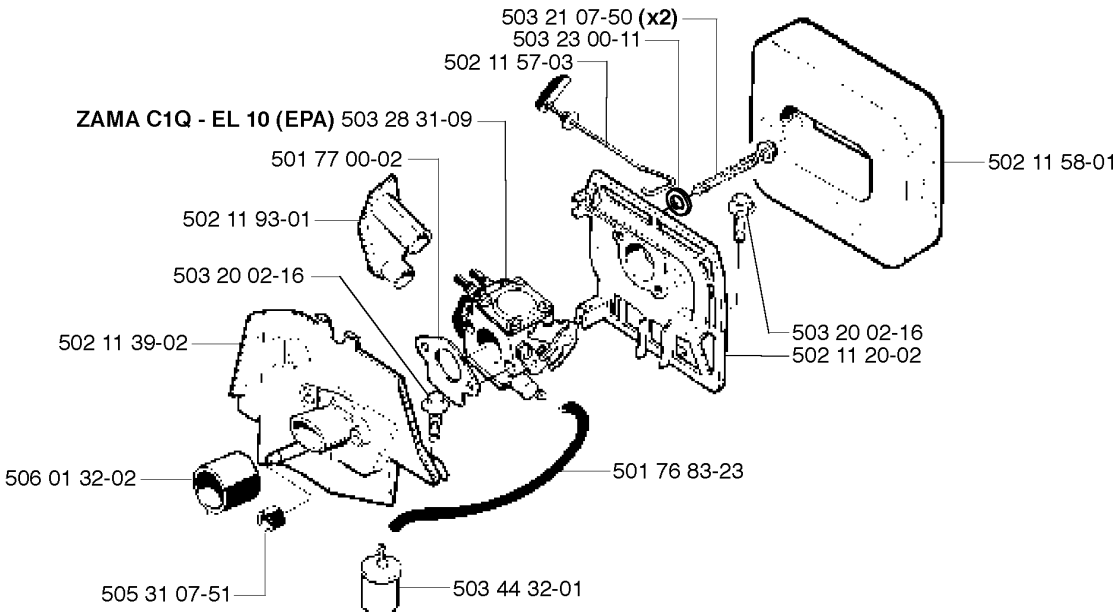


BEVEL GEAR

GR41 from 2014-12

Part No	Description	Remark	QTY KIT
502 03 10-03	SUPPORT FLANGE ASSY		1
502 04 55-01	NUT		1
502 11 59-02	PLUG		1
502 22 23-01	GEAR HOUSING		1
502 22 26-01	GEAR WHEEL		1
502 22 67-01	SPACER RING		1
502 22 68-01	SEALING COLLAR		1
502 26 89-01	CIRCLIP		1
502 26 93-01	SPACER RING		1
502 27 25-01	DRIVER		1
502 27 28-01	WASHER		1
502 28 55-01	BEARING HOUSING		1
502 28 56-01	GEAR CASE COVER		1
502 28 57-02	GEAR		1
502 28 62-01	WASHER		1
503 20 02-16	SCREW IHSCFM		3
503 20 02-30	SCREW IHSCFM		2
503 20 03-16	SCREW IHSCFM		4
735 31 17-00	CIRCLIP		1
738 21 02-00	BALL BEARING		1
738 21 02-00	BALL BEARING		1
738 21 02-04	BALL BEARING		1
738 22 03-25	BALL BEARING		1
740 42 21-00	O-RING		1
740 42 24-00	O-RING		1

L



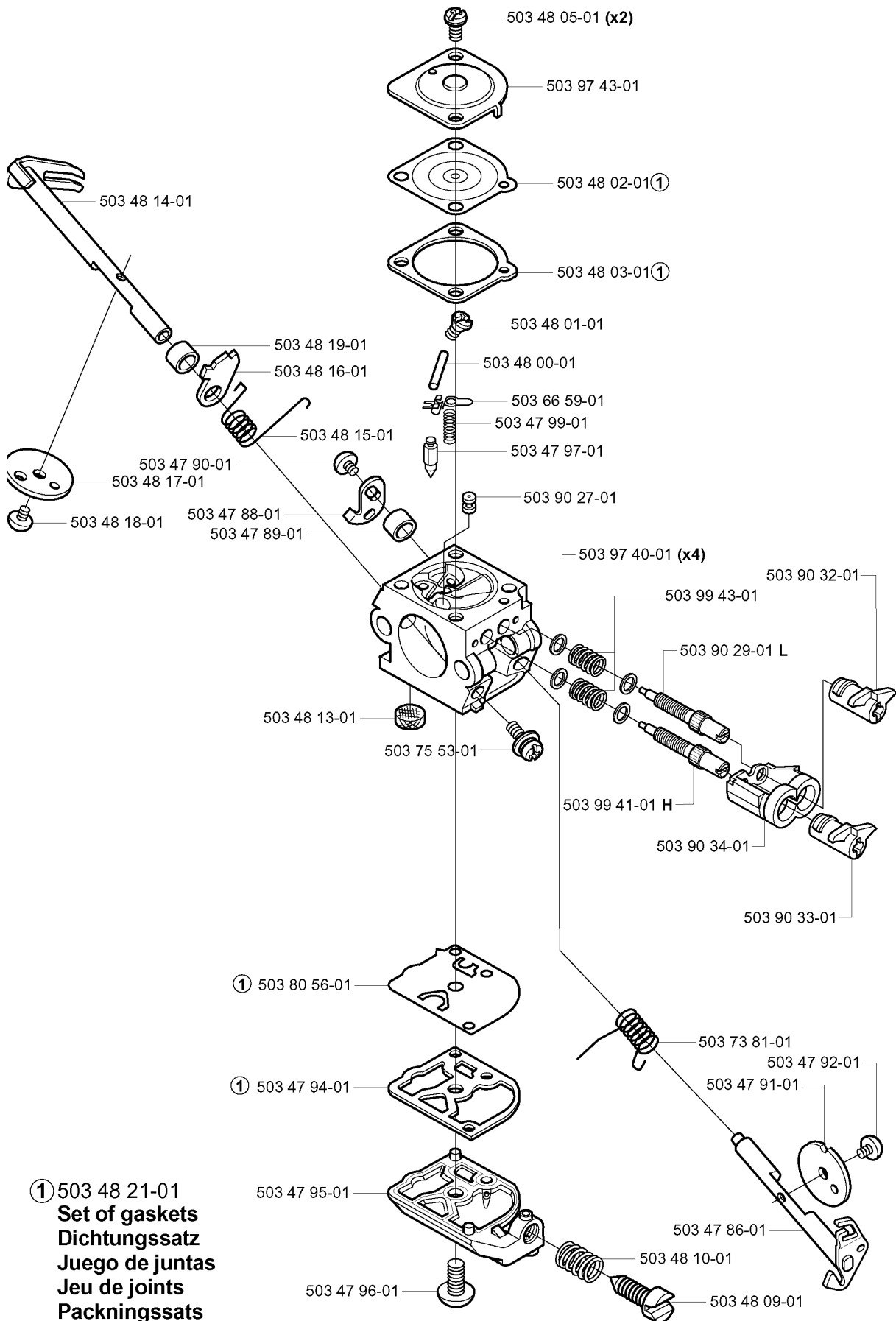
CARBURETOR & AIR FILTER

GR41 from 2014-12

Part No	Description	Remark	QTY KIT
501 76 83-23	FUEL HOSE		1
501 77 00-02	GASKET		1
502 11 20-02	FILTER HOLDER		1
502 11 39-02	INSULATION WALL		1
502 11 57-03	CHOKE CONTROL		1
502 11 58-01	AIR FILTER		1
502 11 93-01	GUIDE BUSHING		1
503 20 02-16	SCREW IHSCFM		1
503 20 02-16	SCREW IHSCFM		1
503 21 07-50	SCREW IHSCFT		2
503 23 00-11	WASHER		1
503 28 31-09	CARBURETTOR	ZAMA C1Q - EL 10 (EPA)	1
503 44 32-01	FUEL FILTER		1
505 31 07-51	IMPULSE HOSE		1
506 01 32-02	INLET PIPE		1

R compl 503 28 31-09

ZAMA C1Q - EL 10 (EPA)

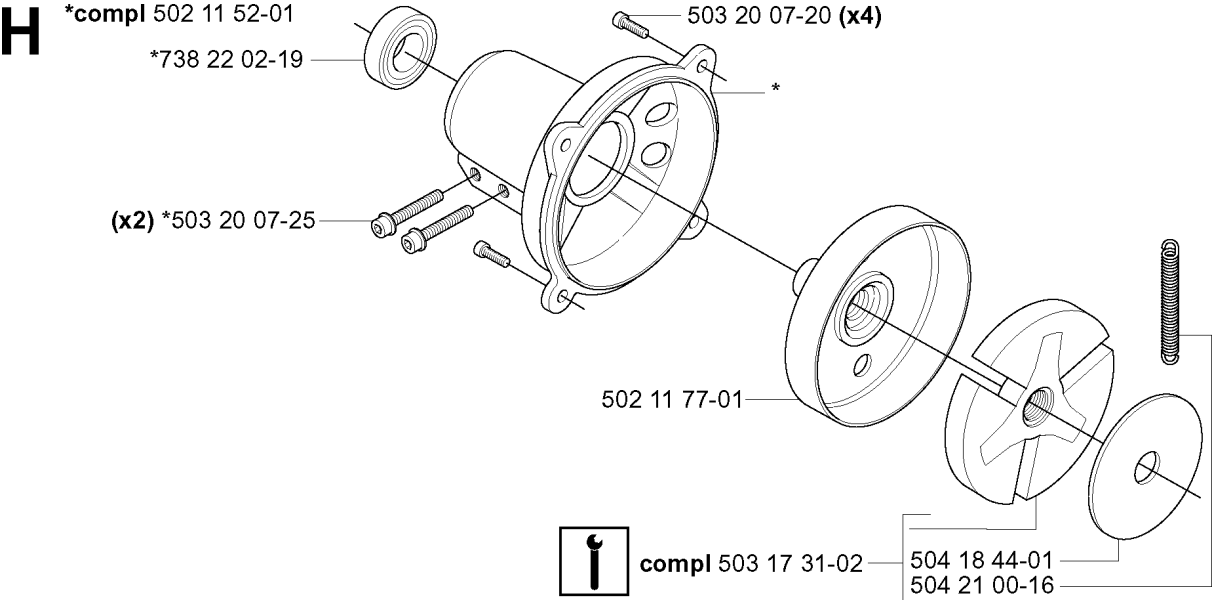


① 503 48 21-01
Set of gaskets
Dichtungssatz
Juego de juntas
Jeu de joints
Packningssats

CARBURETOR DETAILS

GR41 from 2014-12

Part No	Description	Remark	QTY KIT
503 28 31-09	CARBURETTOR		1
503 47 86-01	SHAFT ASSY		1
503 47 88-01	LEVER		1
503 47 89-01	COLLAR		1
503 47 90-01	SCREW		1
503 47 91-01	VALVE		1
503 47 92-01	SCREW		1
503 47 94-01	GASKET	503 48 21-01 SET OF GASKETS	1
503 47 95-01	COVER		1
503 47 96-01	SCREW		1
503 47 97-01	VALVE		1
503 47 99-01	SPRING		1
503 48 00-01	PIN RETAINING SCREW		1
503 48 01-01	SCREW		1
503 48 02-01	DIAPHRAGM	503 48 21-01 SET OF GASKETS	1
503 48 03-01	GASKET	503 48 21-01 SET OF GASKETS	1
503 48 05-01	SCREW		2
503 48 09-01	SCREW		1
503 48 10-01	SPRING		1
503 48 13-01	STRAINER		1
503 48 14-01	SHAFT ASSY		1
503 48 15-01	SPRING		1
503 48 16-01	LEVER		1
503 48 17-01	VALVE		1
503 48 18-01	SCREW		1
503 48 19-01	COLLAR		1
503 66 59-01	LEVER		1
503 73 81-01	SPRING THROTTLE RET.		1
503 75 53-01	SCREW		1
503 80 56-01	DIAPHRAGM PUMP	503 48 21-01 SET OF GASKETS	1
503 90 27-01	NOZZLE ASSY		1
503 90 29-01	SCREW	L	1
503 90 32-01	LIMITER CAP		1
503 90 33-01	LIMITER CAP		1
503 90 34-01	RETAINER		1
503 97 40-01	WASHER		4
503 97 43-01	COVER		1
503 99 41-01	NEEDLE	H	1
503 99 43-01	SPRING		1

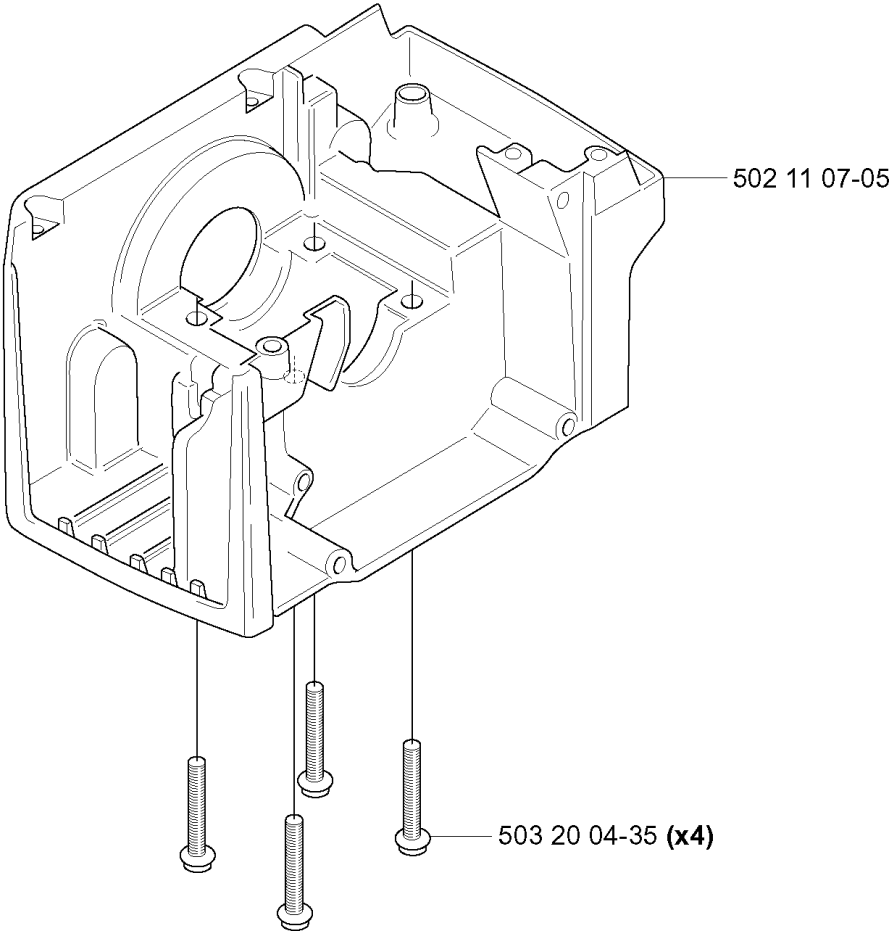


CLUTCH

GR41 from 2014-12

Part No	Description	Remark	QTY KIT
502 11 52-01	CLUTCH COVER ASSY		1
502 11 77-01	CLUTCH DRUM ASSY		1
503 17 31-02	CLUTCH		1
503 20 07-20	SCREW IHSCFM		4
503 20 07-25	SCREW IHSCFM		2
504 18 44-01	WASHER		1
504 21 00-16	CLUTCH SPRING		1
738 22 02-19	BALL BEARING		1

Q

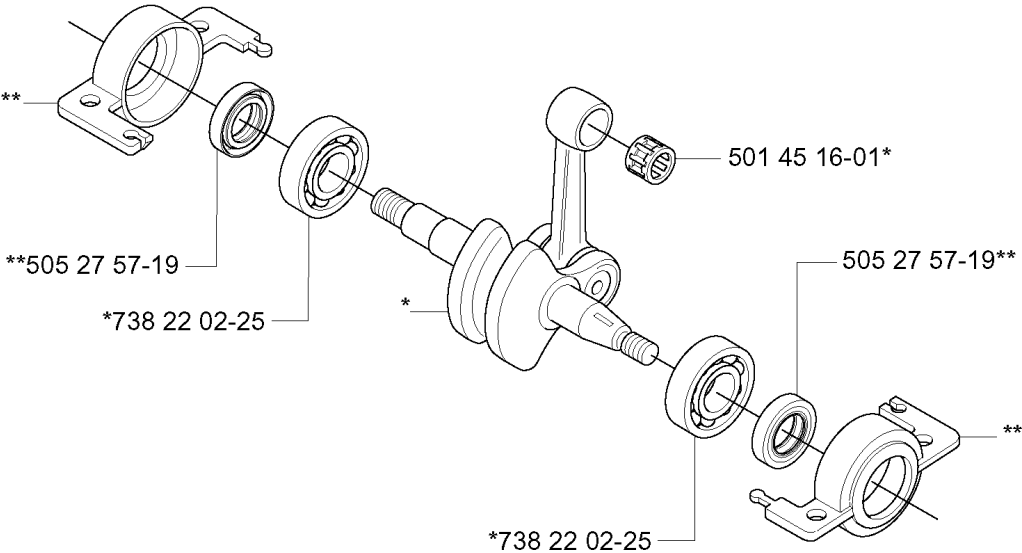


CRANKCASE

GR41 from 2014-12

Part No	Description	Remark	QTY KIT
502 11 07-05	CRANKCASE		1
503 20 04-35	SCREW IHSCFM		4

P *compl 503 57 38-06
**compl 502 23 02-01

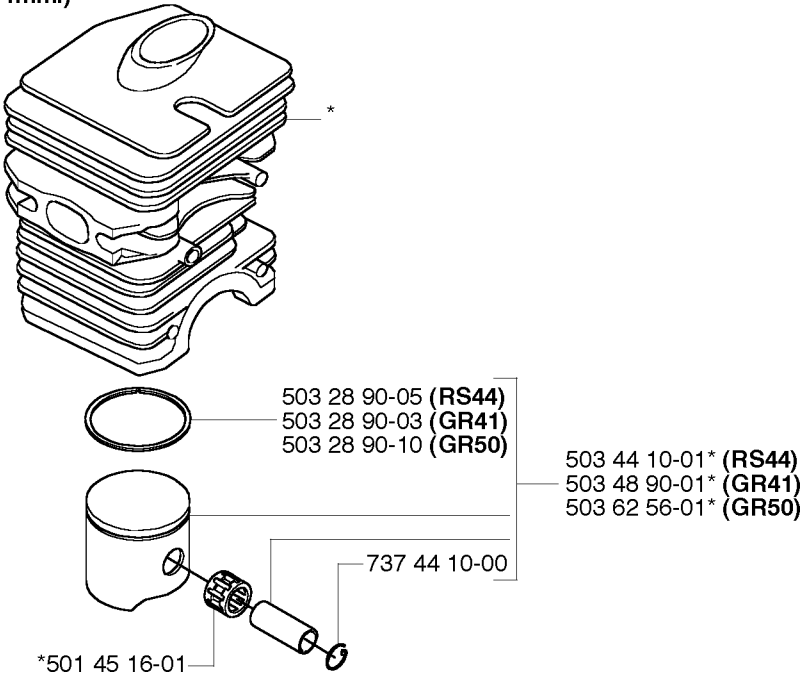


CRANKSHAFT

GR41 from 2014-12

Part No	Description	Remark	QTY KIT
501 45 16-01	NEEDLE BEARING		1
502 23 02-01	SHAFT SEAT		1
503 57 38-06	CRANKSHAFT ASSY		1
505 27 57-19	SEALING RING		1
505 27 57-19	SEALING RING		1
738 22 02-25	BALL BEARING		1
738 22 02-25	BALL BEARING		1

N *compl 503 44 08-02 (RS44 Ø 42mm.)
*compl 506 01 06-07 (GR41 Ø 40mm.)
*compl 503 62 55-02 (GR50 Ø 44mm.)

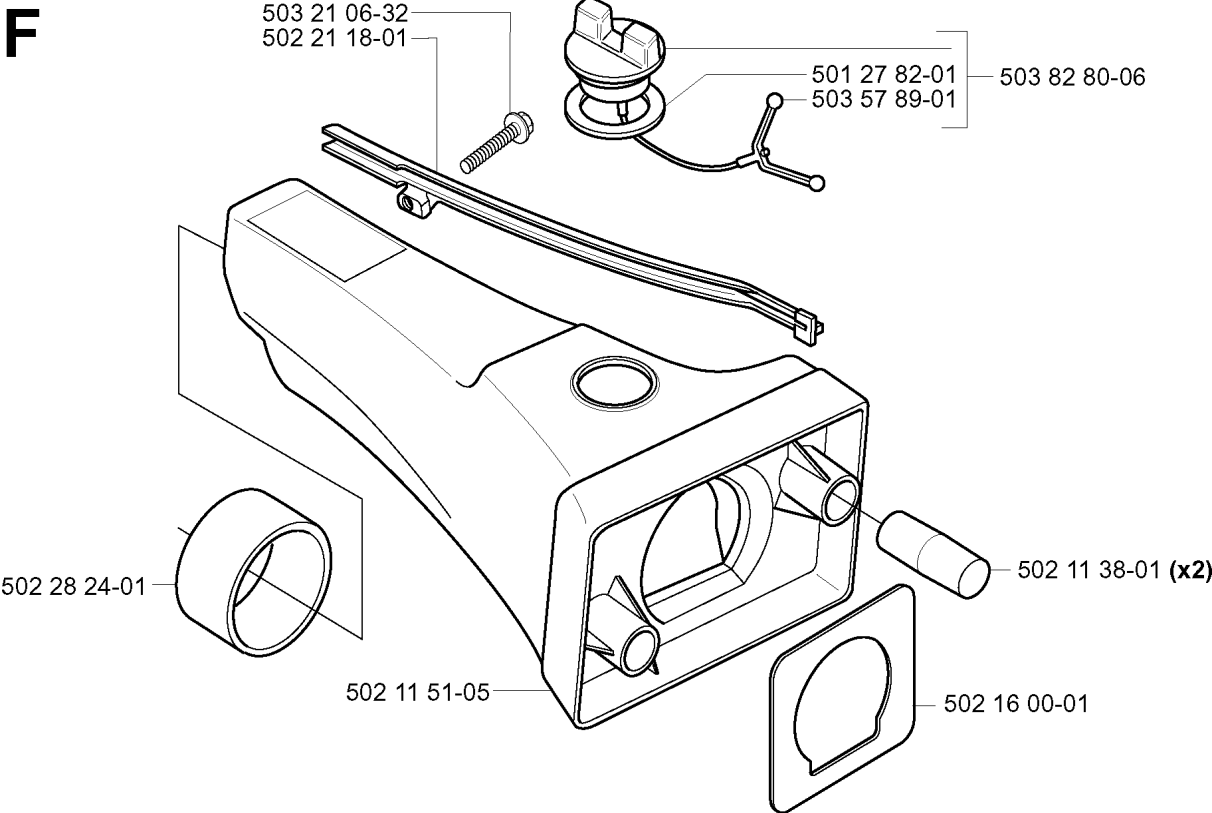


CYLINDER PISTON

GR41 from 2014-12

Part No	Description	Remark	QTY KIT
503 25 63-01	NEEDLE BEARING		1
503 28 90-03	PISTON RING	GR41	1
503 28 90-05	PISTON RING	RS44	1
503 28 90-10	PISTON RING	GR50	1
503 44 08-02	CYLINDER ASSY	RS44 DIA. 42MM.	1
503 44 10-01	PISTON ASSY	RS44	1
503 48 90-01	PISTON ASSY	GR41	1
503 62 55-02	CYLINDER ASSY	GR50 DIA. 44MM.	1
503 62 56-01	PISTON ASSY	GR50	1
506 01 06-07	CYLINDER ASSY	GR41 DIA. 40MM.	1
737 44 10-00	SNAP RING		1

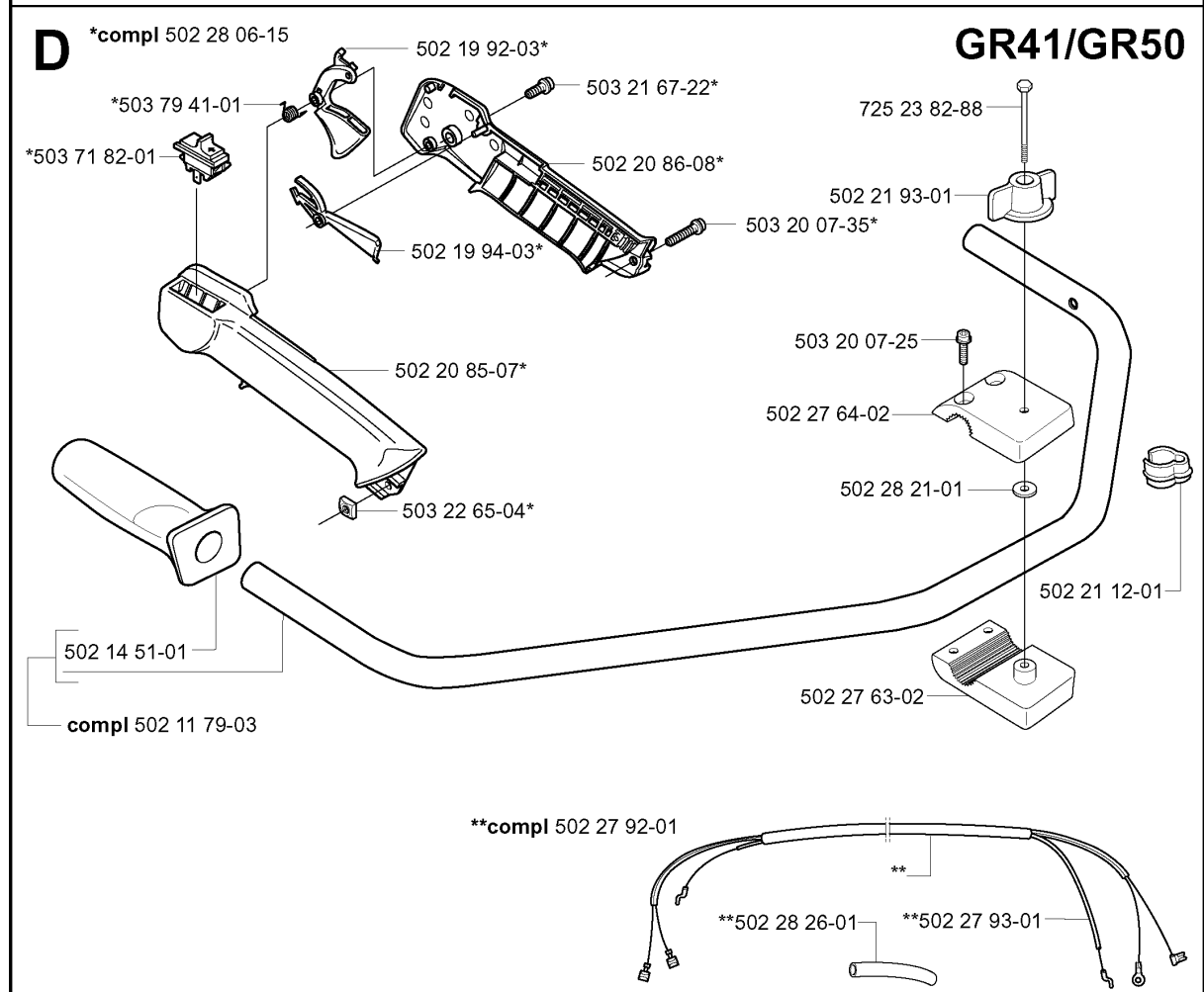
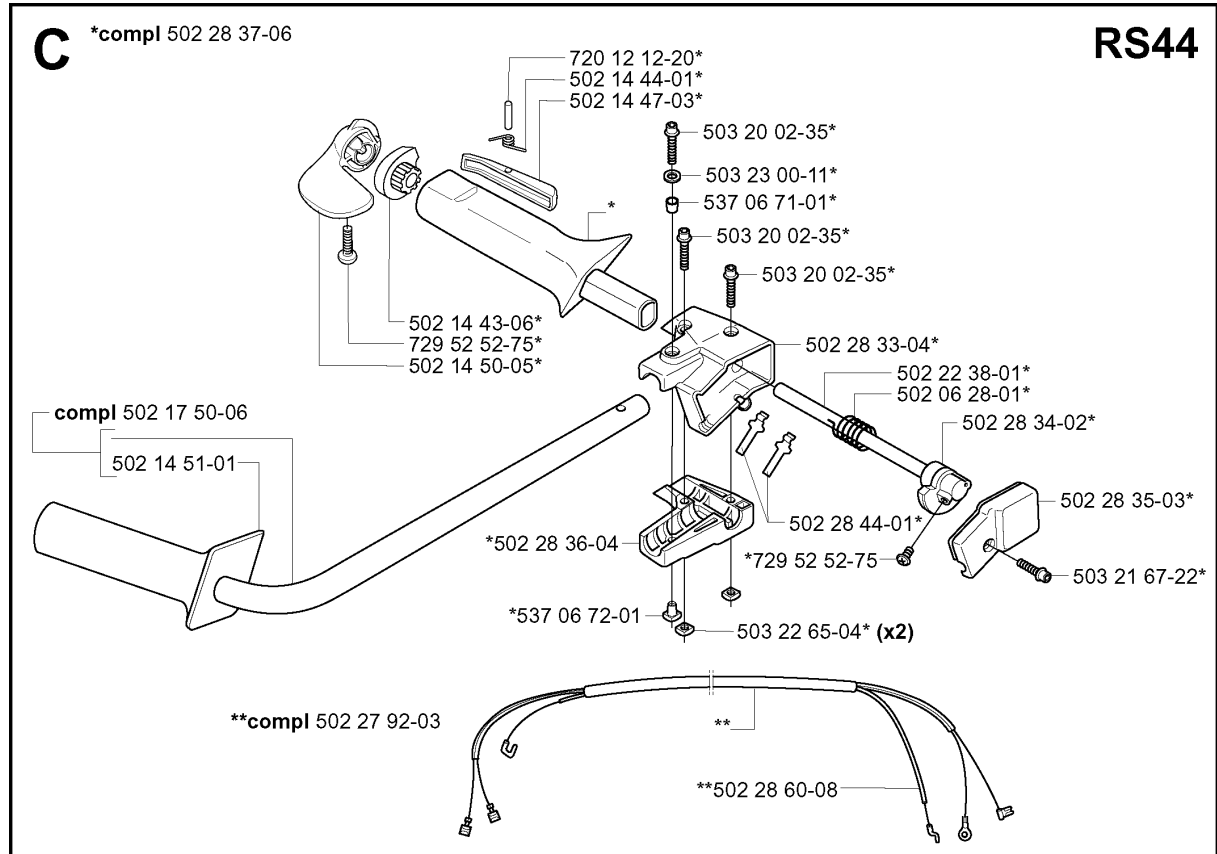
F



FUEL TANK

GR41 from 2014-12

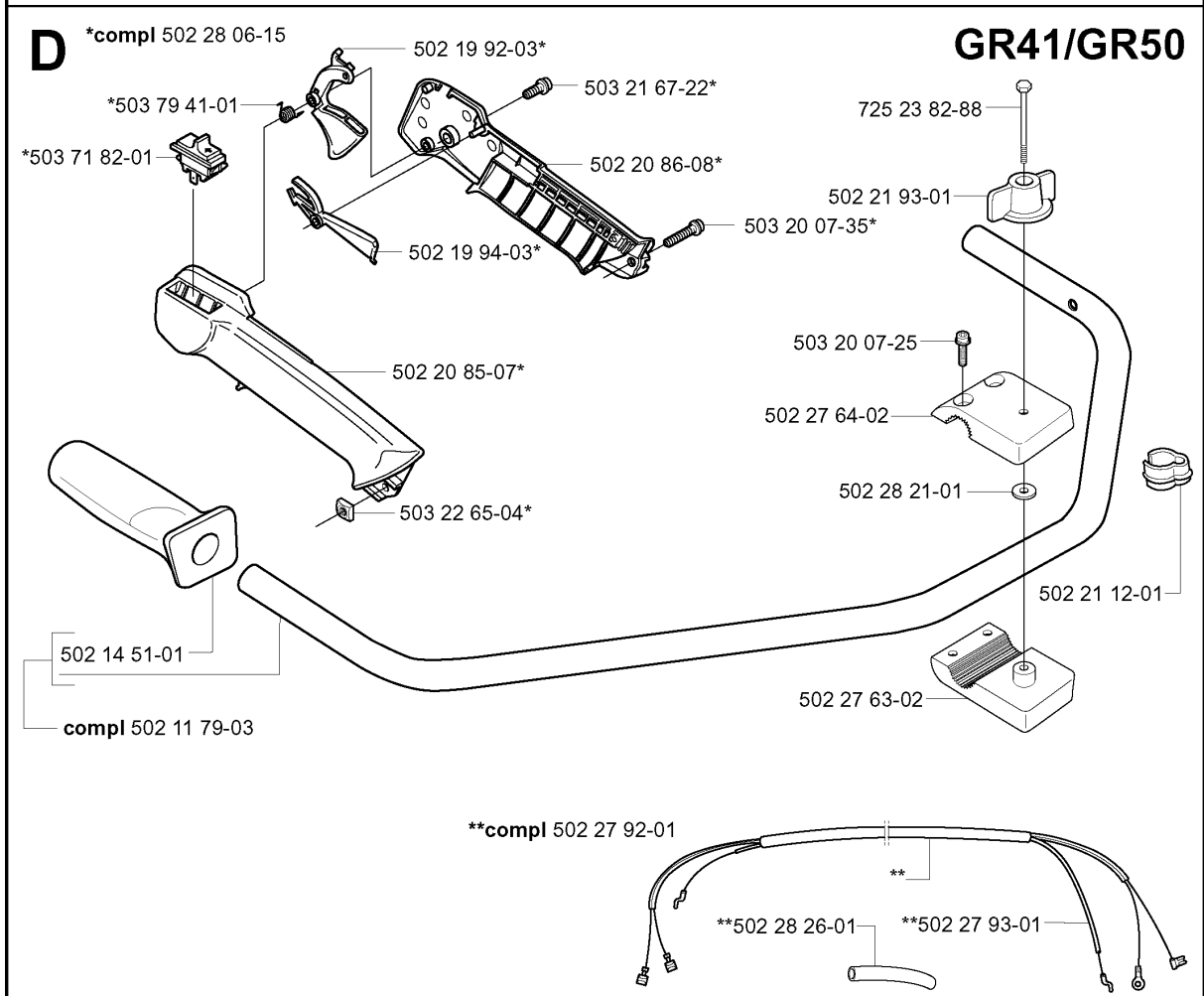
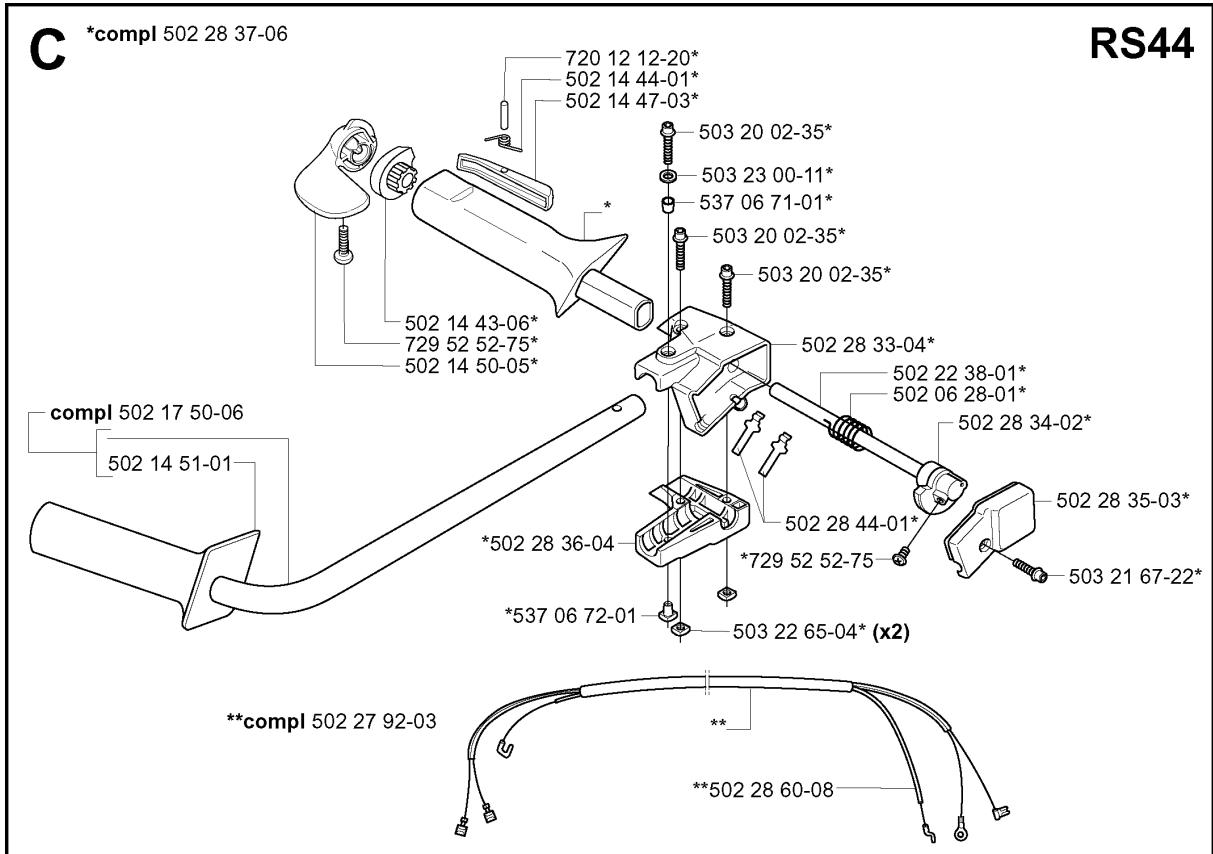
Part No	Description	Remark	QTY KIT
501 27 82-01	GASKET		1
502 11 38-01	ANTIVIBRATION ELEMENT		2
502 11 51-05	FUEL TANK ASSY		1
502 16 00-01	HEAT PROTECTOR		1
502 21 18-01	CABLE GUARD		1
502 28 24-01	SPACER RING		1
503 21 06-32	SCREW IHSCT		1
503 57 89-01	HOLDER		1
503 82 80-06	TANK CAP ASSY		1



HANDLE & CONTROLS

GR41 from 2014-12

Part No	Description	Remark	QTY KIT
502 11 79-03	HANDLEBAR		1
502 14 51-01	HANDLE		1
502 19 92-03	THROTTLE TRIGGER		1
502 19 94-03	THROTTLE LOCKOUT		1
502 20 85-07	HANDLE HALF		1
502 20 86-08	HANDLE HALF		1
502 21 12-01	STAPLE		1
502 21 93-01	TURNING KNOB		1
502 27 63-02	HANDLEBAR BRACKET		1
502 27 64-02	HANDLEBAR BRACKET		1
502 27 92-01	WIRING ASSY		1
502 27 93-01	GAS WIRE ASSY		1
502 28 06-15	HANDLE		1
502 28 21-01	WASHER		1
502 28 26-01	HOSE		1
503 20 07-25	SCREW IHSCFM		1
503 20 07-35	SCREW IHSCFM		1
503 21 67-22	SCREW IHSCFT		1
503 22 65-04	SQUARE NUT		1
503 71 82-01	SWITCH		1
503 79 41-01	RECOIL SPRING		1
725 23 82-88	SCREW EHHM		1



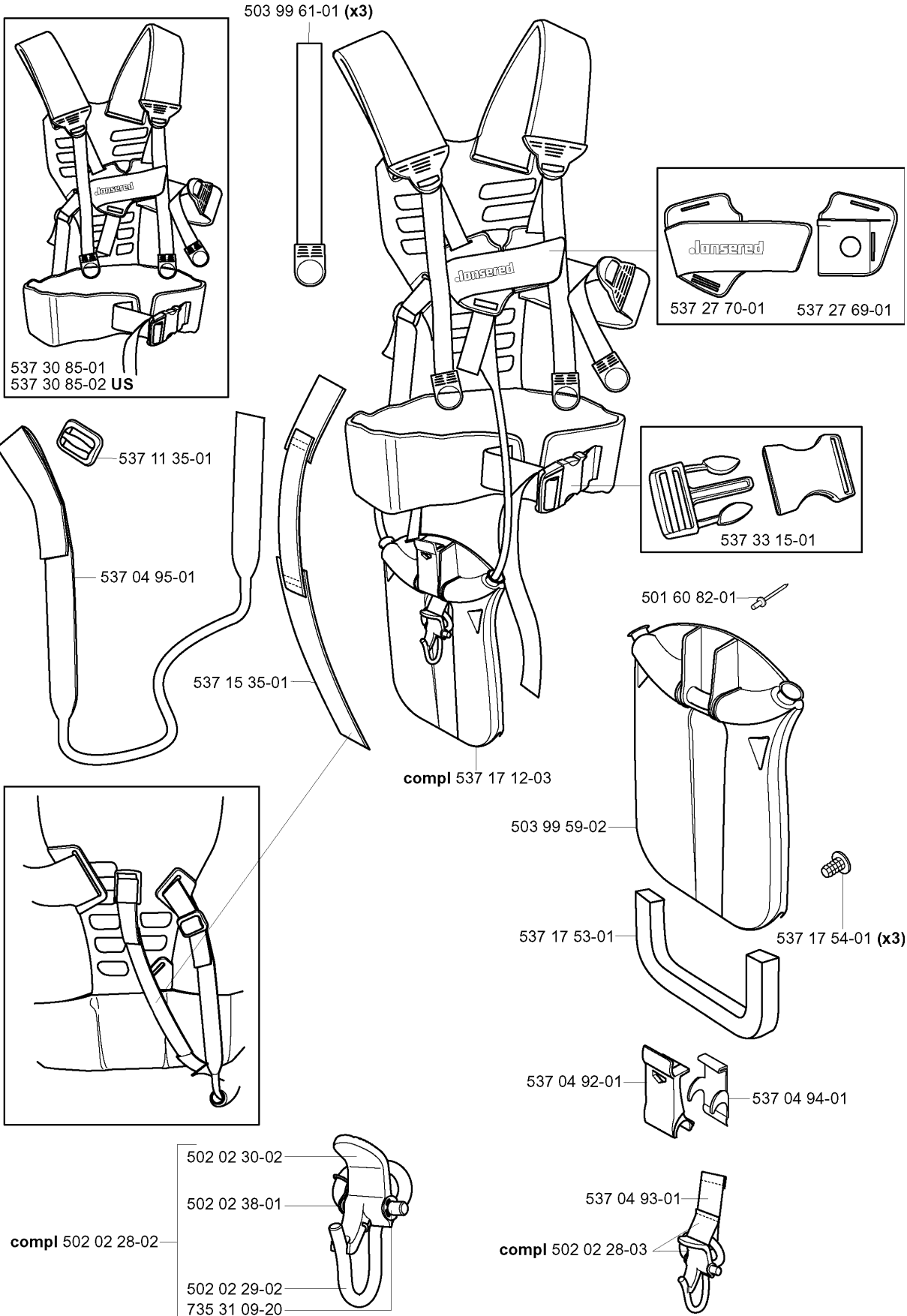
HANDLE & CONTROLS

GR41 from 2014-12

Part No	Description	Remark	QTY KIT
502 06 28-01	RECOIL SPRING		1
502 14 43-06	BUSHING		1
502 14 44-01	SPRING		1
502 14 47-03	THROTTLE LOCKOUT		1
502 14 50-05	THROTTLE TRIGGER		1
502 14 51-01	HANDLE		1
502 17 50-06	HANDLEBAR LEFT		1
502 22 38-01	PIPE		1
502 27 92-03	WIRING ASSY		1
502 28 33-04	HANDLE		1
502 28 34-02	STARTER PULLEY		1
502 28 35-03	HUB CAP		1
502 28 36-04	CLAMP		1
502 28 37-06	THROTTLE HANDLE ASSY		1
502 28 44-01	SPRING		1
502 28 60-08	GAS WIRE		1
503 20 02-35	SCREW IHSCFM		1
503 20 02-35	SCREW IHSCFM		1
503 20 02-35	SCREW IHSCFM		1
503 21 67-22	SCREW IHSCFT		1
503 22 65-04	SQUARE NUT		2
503 23 00-11	WASHER		1
537 06 71-01	SLEEVE		1
537 06 72-01	NUT SQUARE		1
720 12 12-20	PARALLEL PIN		1
729 52 52-75	SCREW CRPANT		1
729 52 52-75	SCREW CRPANT		1

T compl 531 00 86-03
compl 531 00 86-04 US

Vector 3-55



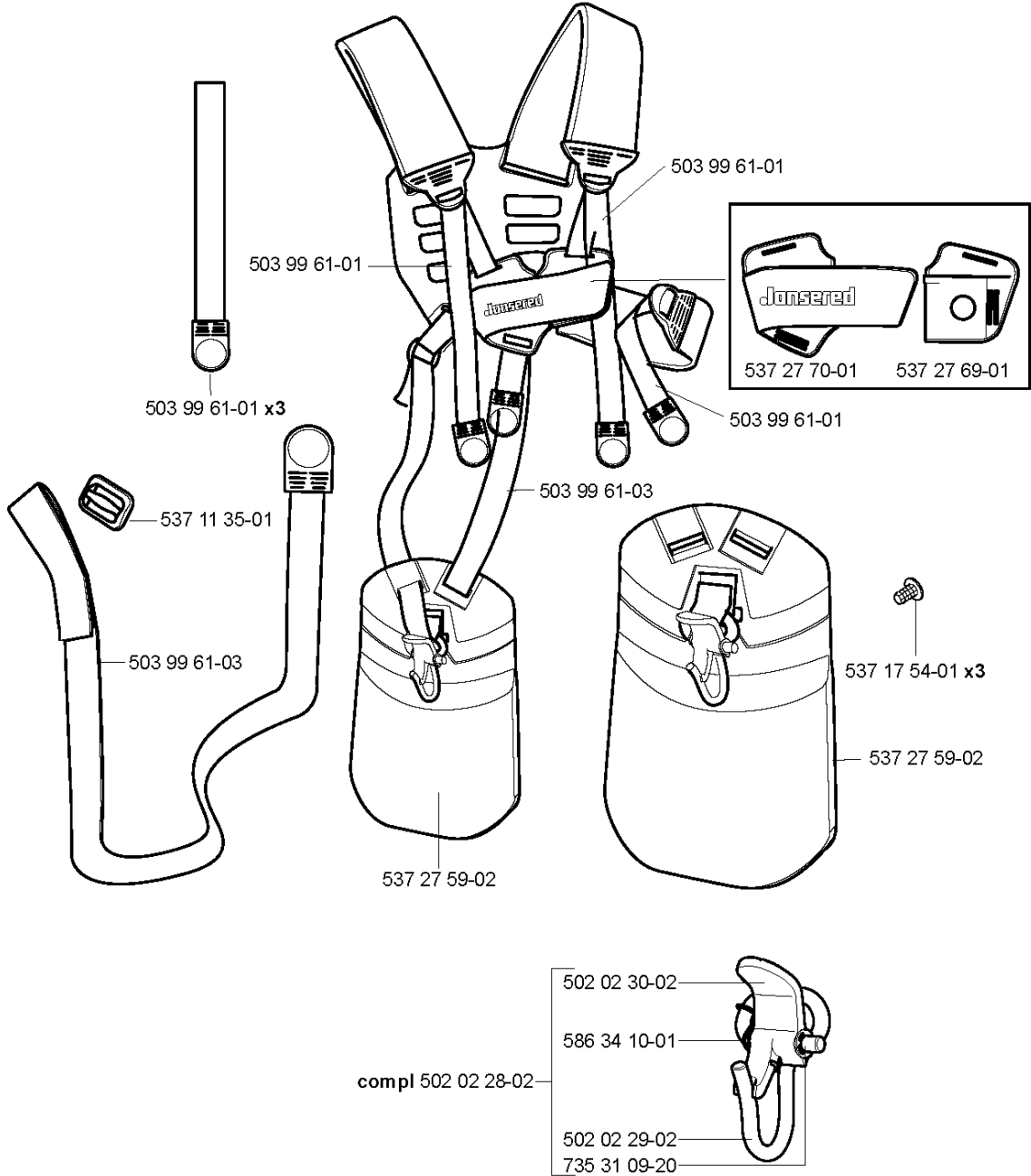
HARNESS

GR41 from 2014-12

Part No	Description	Remark	QTY KIT
501 60 82-01	HARNESS		1
502 02 28-02	WELT HOOK		1
502 02 28-03	WELT HOOK		1
502 02 29-02	HOOK		1
502 02 30-02	LOCK		1
503 99 59-02	HIP PAD		1
503 99 61-01	BAND		3
531 00 86-03	HARNESS		1
531 00 86-04	HARNESS	US	1
537 04 92-01	HIP PAD		1
537 04 93-01	HIP PAD		1
537 04 94-01	HIP PAD		1
537 04 95-01	BAND		1
537 11 35-01	RETAINER		1
537 15 35-01	STRAP		1
537 17 12-03	HIP PAD		1
537 17 53-01	HIP PAD		1
537 17 54-01	HIP PAD		3
537 27 69-01	FRONT PIECE		1
537 27 70-01	FRONT PIECE		1
537 30 85-01	HARNESS		1
537 30 85-02	HARNESS	US	1
537 33 15-01	BUCKLE		1
586 34 10-01	SPRING		1
735 31 09-20	E-CLIP		1

T compl 537 27 58-01
compl 537 27 58-03 US

Vector 2-35/55

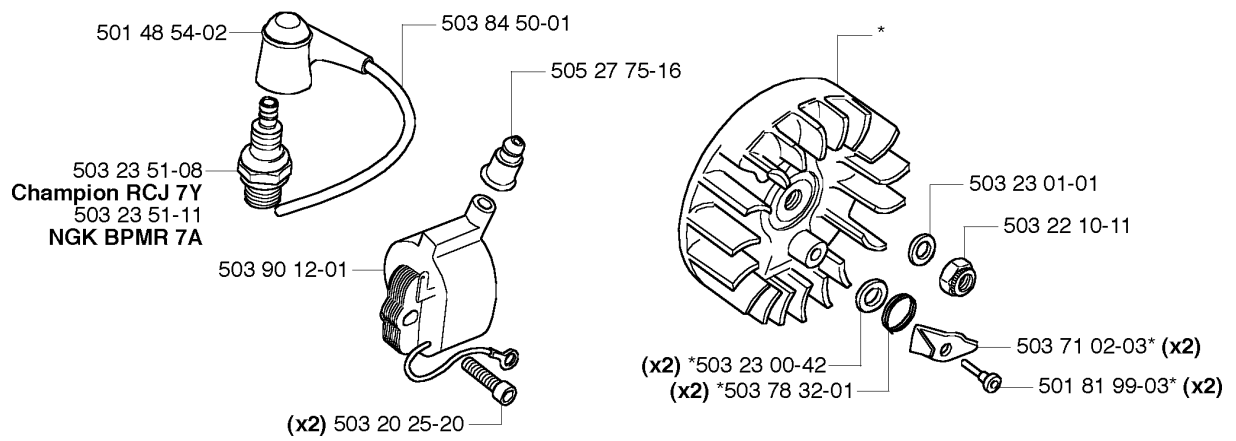


HARNESS

GR41 from 2014-12

Part No	Description	Remark	QTY KIT
502 02 28-02	WELT HOOK		1
502 02 29-02	HOOK		1
502 02 30-02	LOCK		1
503 99 61-01	BAND		1
503 99 61-01	BAND		3
503 99 61-01	BAND		1
503 99 61-01	BAND		1
503 99 61-03	BAND		1
503 99 61-03	BAND		1
537 11 35-01	RETAINER		1
537 17 54-01	HIP PAD		3
537 27 58-01	HARNESS		1
537 27 58-03	HARNESS	US	1
537 27 59-02	HIP PAD		1
537 27 59-02	HIP PAD		1
537 27 69-01	FRONT PIECE		1
537 27 70-01	FRONT PIECE		1
586 34 10-01	SPRING		1
735 31 09-20	E-CLIP		1

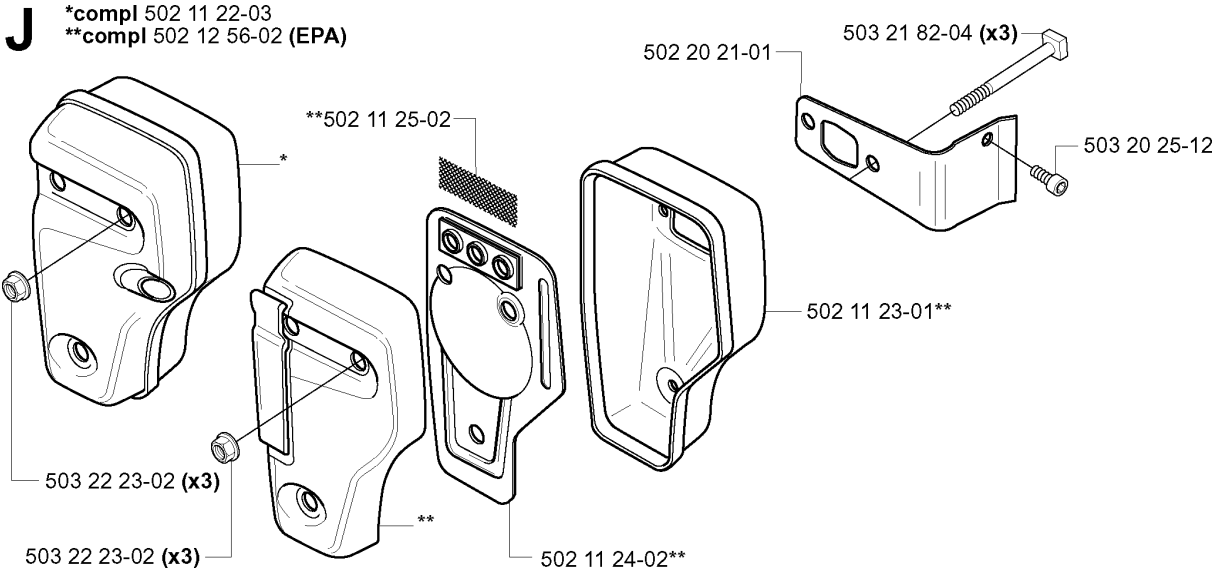
M *compl 503 79 00-02



IGNITION SYSTEM

GR41 from 2014-12

Part No	Description	Remark	QTY KIT
501 48 54-02	SPARK PLUG CAP		1
501 81 99-03	SCREW		2
503 20 25-20	SCREW IHSCM		2
503 22 10-11	HEXAGON NUT		1
503 23 00-42	WASHER		2
503 23 01-01	WASHER		1
503 23 51-08	SPARK PLUG	CHAMPION RCJ 7Y	1
503 23 51-11	SPARK PLUG	NGK BPMR 7A	1
503 71 02-03	STARTER PAWL		2
503 78 32-01	SPRING		2
503 79 00-02	FLYWHEEL		1
503 84 50-01	CABLE		1
503 90 12-01	ELECTRONIC MODULE		1
505 27 75-16	ISOLERHATT		1

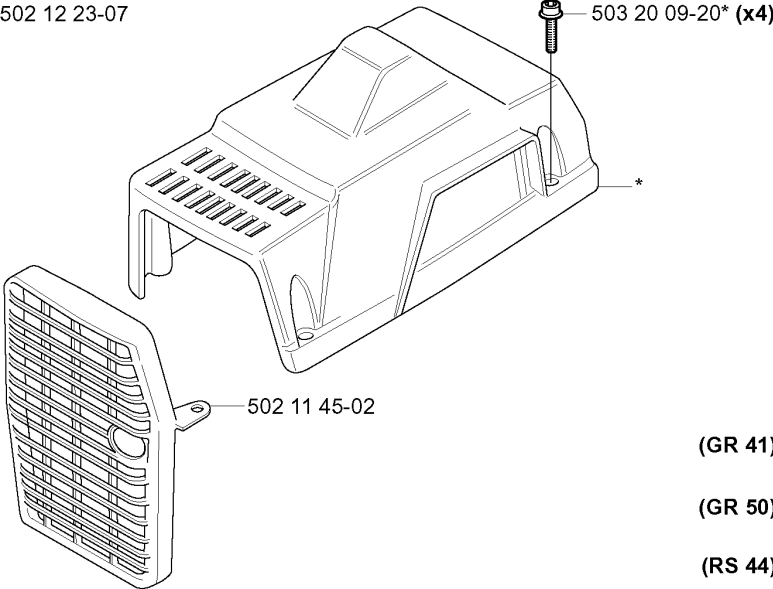


MUFFLER

GR41 from 2014-12

Part No	Description	Remark	QTY KIT
502 11 22-03	MUFFLER ASSY		1
502 11 23-01	MUFFLER REAR HALF		1
502 11 24-02	BAFFLE PLATE		1
502 11 25-02	SPARK ARRESTER SCREEN		1
502 12 56-02	MUFFLER ASSY	EPA	1
502 20 21-01	HEAT DEFLECTOR		1
503 20 25-12	SCREW IHSCM		1
503 21 82-04	SCREW		3
503 22 23-02	LOCK NUT		3
503 22 23-02	LOCK NUT		3

G *compl 502 12 23-07

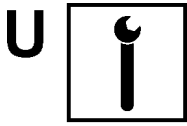


- (GR 41) 503 97 52-04 — **GR 41**
- (GR 50) 503 97 52-03 — **GR 50**
- (RS 44) 503 97 52-02 — **RS 44**

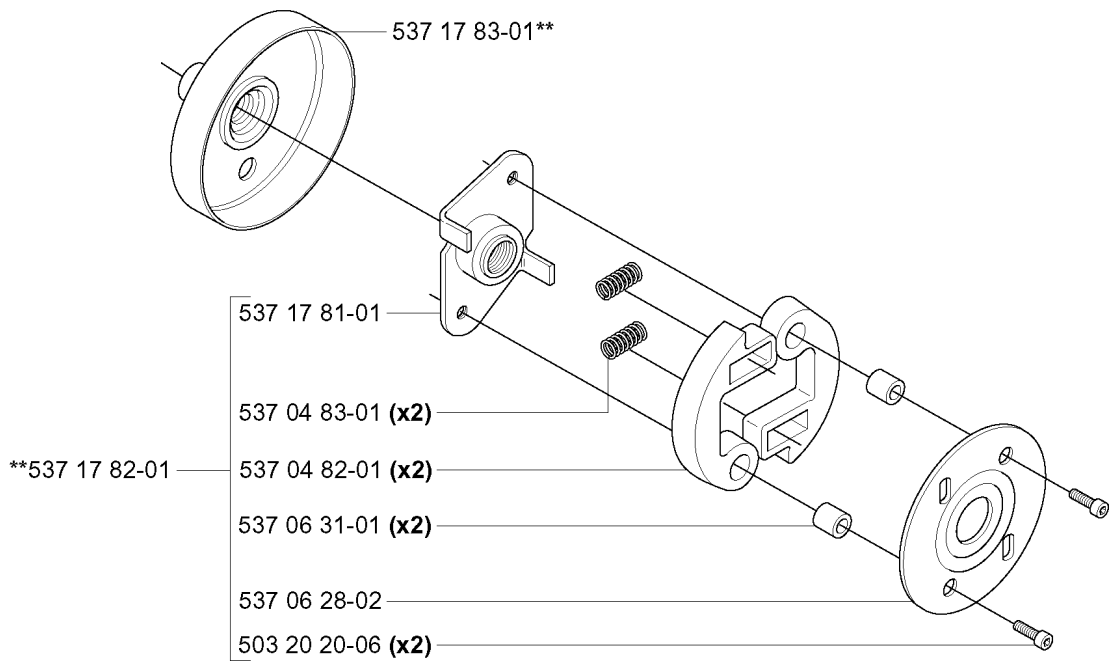
MUFFLER

GR41 from 2014-12

Part No	Description	Remark	QTY KIT
502 11 45-02	HEAT PROTECTOR		1
502 12 23-07	CYLINDER COVER ASSY		1
503 20 09-20	SCREW IHSCFMO		4
503 97 52-02	LABEL	RS 44	1
503 97 52-03	LABEL	GR 50	1
503 97 52-04	LABEL	GR 41	1



****compl 537 23 94-01**

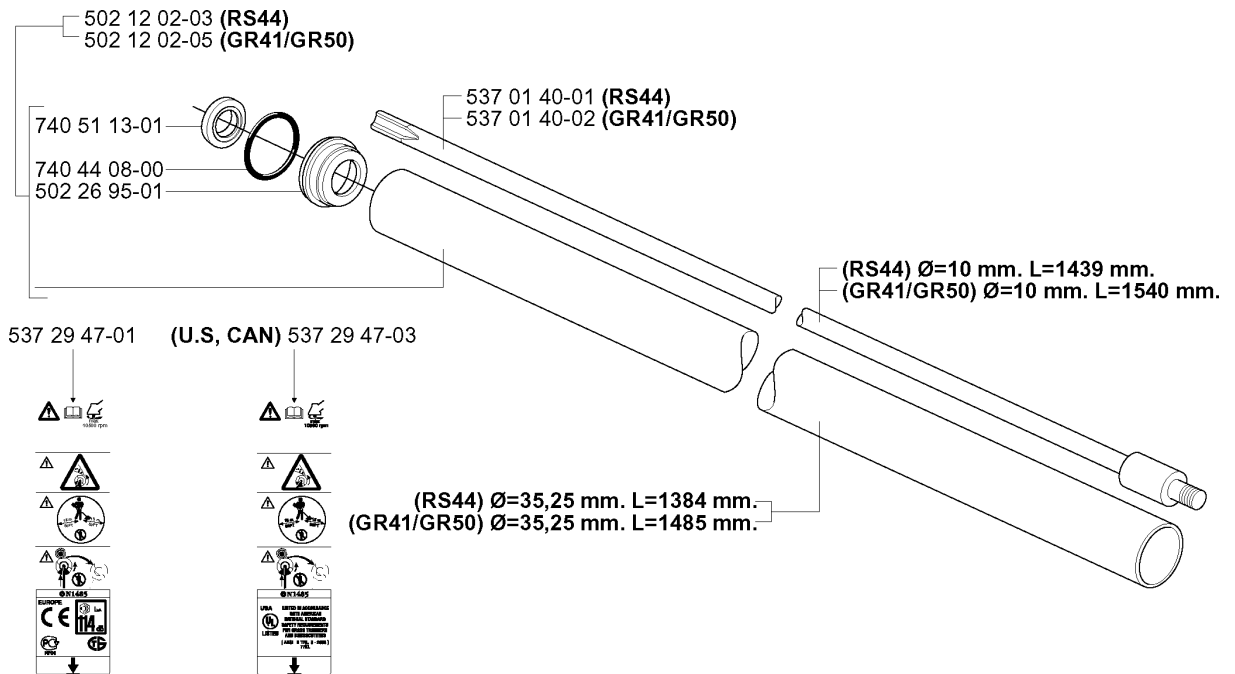


SERVICE UPDATES

GR41 from 2014-12

Part No	Description	Remark	QTY KIT
503 20 20-06	SCREW IHSCM		2
537 04 82-01	CLUTCH SHOE		2
537 04 83-01	CLUTCH SPRING		2
537 06 28-02	WASHER		1
537 06 31-01	BEARING BUSH		2
537 17 81-01	CLUTCH		1
537 17 82-01	CLUTCH ASSY		1
537 17 83-01	CLUTCH DRUM ASSY		1
537 23 94-01	CLUTCH		1

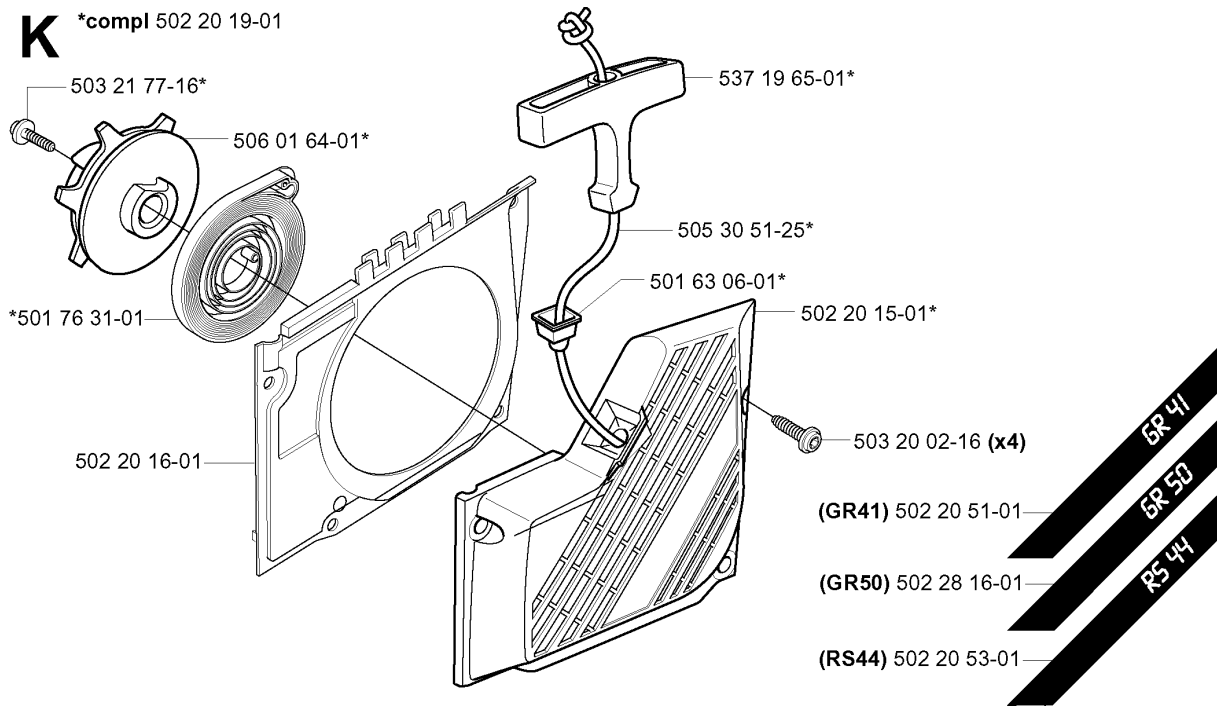
B



SHAFT

GR41 from 2014-12

Part No	Description	Remark	QTY KIT
502 12 02-03	TUBE ASSY	RS44	1
502 12 02-05	TUBE ASSY	GR41/GR50	1
502 26 95-01	SEALING RING HOLDER		1
537 01 40-01	DRIVE SHAFT ASSY	RS44	1
537 01 40-02	DRIVE SHAFT ASSY	GR41/GR50	1
537 29 47-01	LABEL		1
537 29 47-03	LABEL	U.S, CAN	1
740 44 08-00	O-RING		1
740 51 13-01	SEALING RING		1

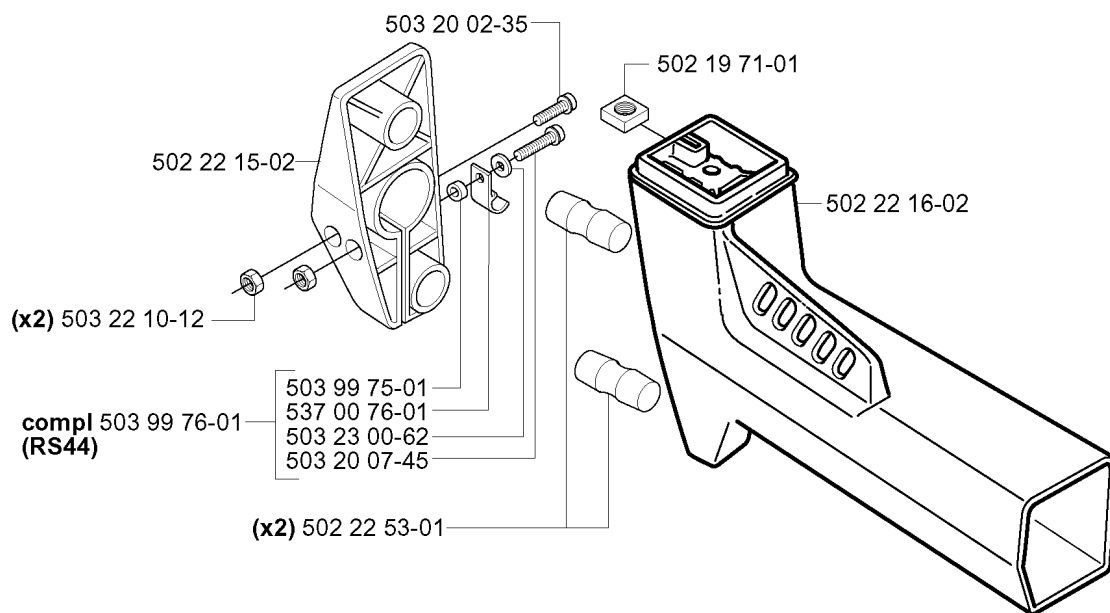


STARTER

GR41 from 2014-12

Part No	Description	Remark	QTY KIT
501 63 06-01	SLEEVE		1
501 76 31-01	SPRING CASSETTE ASSY		1
502 20 15-01	STARTER HOUSING		1
502 20 16-01	AIR CONDUCTOR		1
502 20 19-01	STARTER		1
502 20 51-01	LABEL	GR41	1
502 20 53-01	LABEL	RS44	1
502 28 16-01	DECAL	GR50	1
503 20 02-16	SCREW IHSCFM		4
503 21 77-16	SCREW IHST		1
505 30 51-25	STARTER CORD		1
506 01 64-01	STARTER PULLEY		1
537 19 65-01	STARTER HANDLE		1

E



TOWER

GR41 from 2014-12

Part No	Description	Remark	QTY KIT
502 19 71-01	SQUARE NUT		1
502 22 15-02	RETAINER		1
502 22 16-02	SUSPENSION		1
502 22 53-01	ANTIVIBRATION ELEMENT		2
503 20 02-35	SCREW IHSCFM		1
503 20 07-45	SCREW IHSCFM		1
503 22 10-12	HEXAGON NUT		2
503 23 00-62	WASHER		1
503 99 75-01	SPACING SLEEVE		1
503 99 76-01	KIT	RS44	1
537 00 76-01	CLIP		1