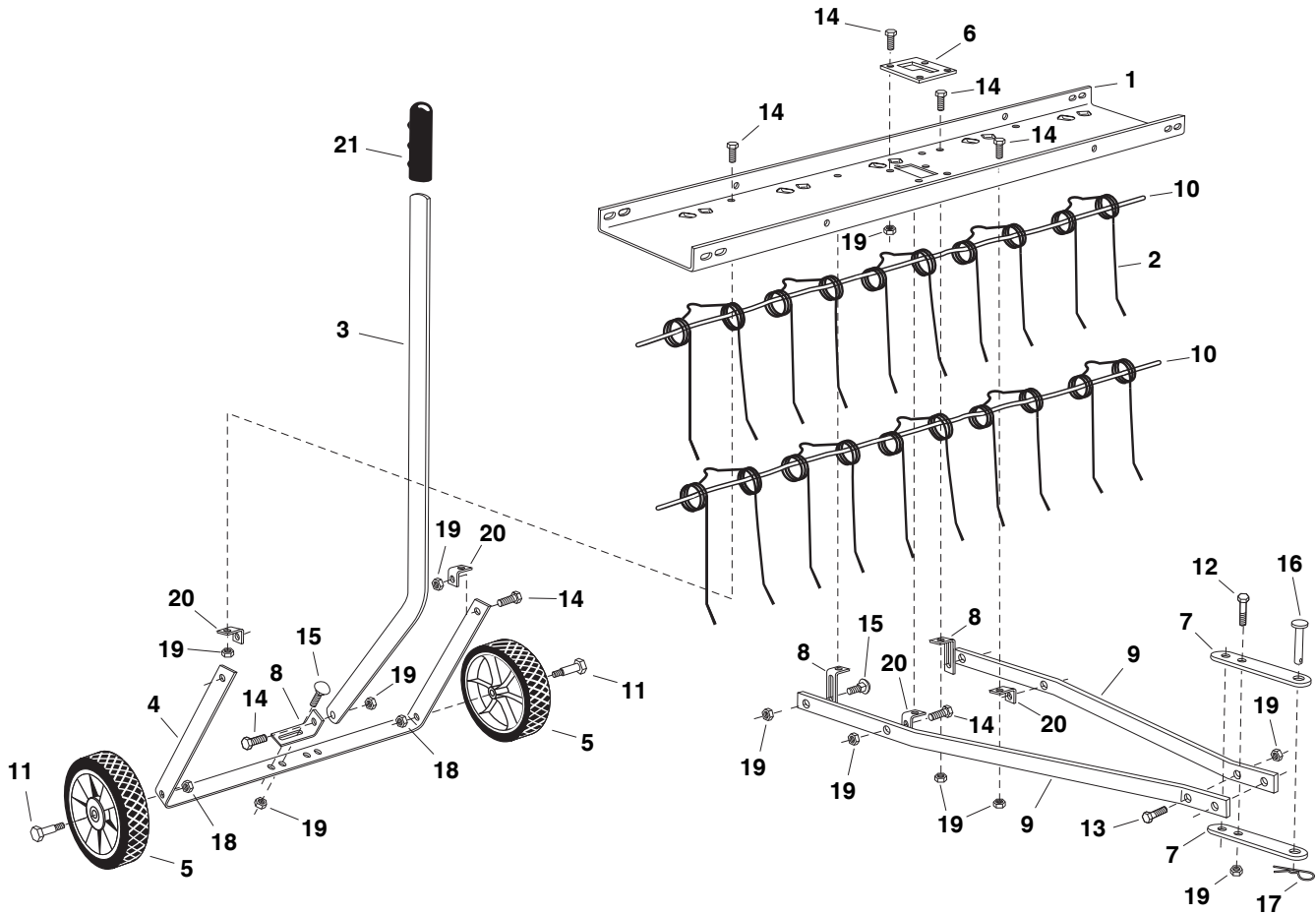


586 63 66-01

586 63 66-01



REF.	PART NO. FOR USA	PART NO. FOR EUROPE	QTY.	DESCRIPTION
1	24836	531 00 76-41	1	Tine Shield
2	43783	531 00 46-26	10	Spring Tine
3	24596	531 00 81-12	1	Lift Handle
4	24595	531 00 81-11	1	Axle Bracket
5	43021	531 00 46-28	2	Wheel
6	24594	531 00 81-02	1	Lift Plate
7	23981	531 00 46-42	2	Hitch Bracket
8	23442	531 00 46-31	3	Hitch Arm Mount Bracket
9	23914	531 00 46-30	2	Hitch Mount Arm
10	47633	531 00 81-19	2	Spring Alignment Wire
11	43029	531 00 46-27	2	Shoulder Bolt
12	44180	874 76 05-32	2	Hex Bolt, 5/16-18 x 2"
13	43840	531 00 81-17	2	Hex Bolt, 5/16-18 x 1-1/4"
14	43063	531 00 74-26	15	Hex Bolt, 5/16-18" x 1"
15	44326	522 77 02-01	4	Carriage Bolt, 5/16-18" x 1"
16	47623	531 00 81-18	1	Hitch Pin, 3/8" (Flat Head)
17	43343	721 68 02-51	1	Hair Cotter Pin, 1/8"
18	HA21362	501 33 27-01	2	Nylock Nut, 3/8-16
19	47810	501 02 11-01	23	Nylock Nut, 5/16-18
20	23826	531 00 81-15	4	Angle Bracket
21	43943	506 62 64-01	1	Handle Grip

This document (or manual) is protected under the U.S. Copyright Laws and the copyright laws of foreign countries, pursuant to the Universal Copyright Convention and the Berne convention. No part of this document may be reproduced or transmitted in any form or by any means, electronic or mechanical, including photocopying or recording, or by any information storage or retrieval system, without the express written permission of Agri-Fab, Inc. Unauthorized uses and/or reproductions of this manual will subject such unauthorized user to civil and criminal penalties as provided by the United States Copyright Laws.