

**ILLUSTRATED PARTS LIST**

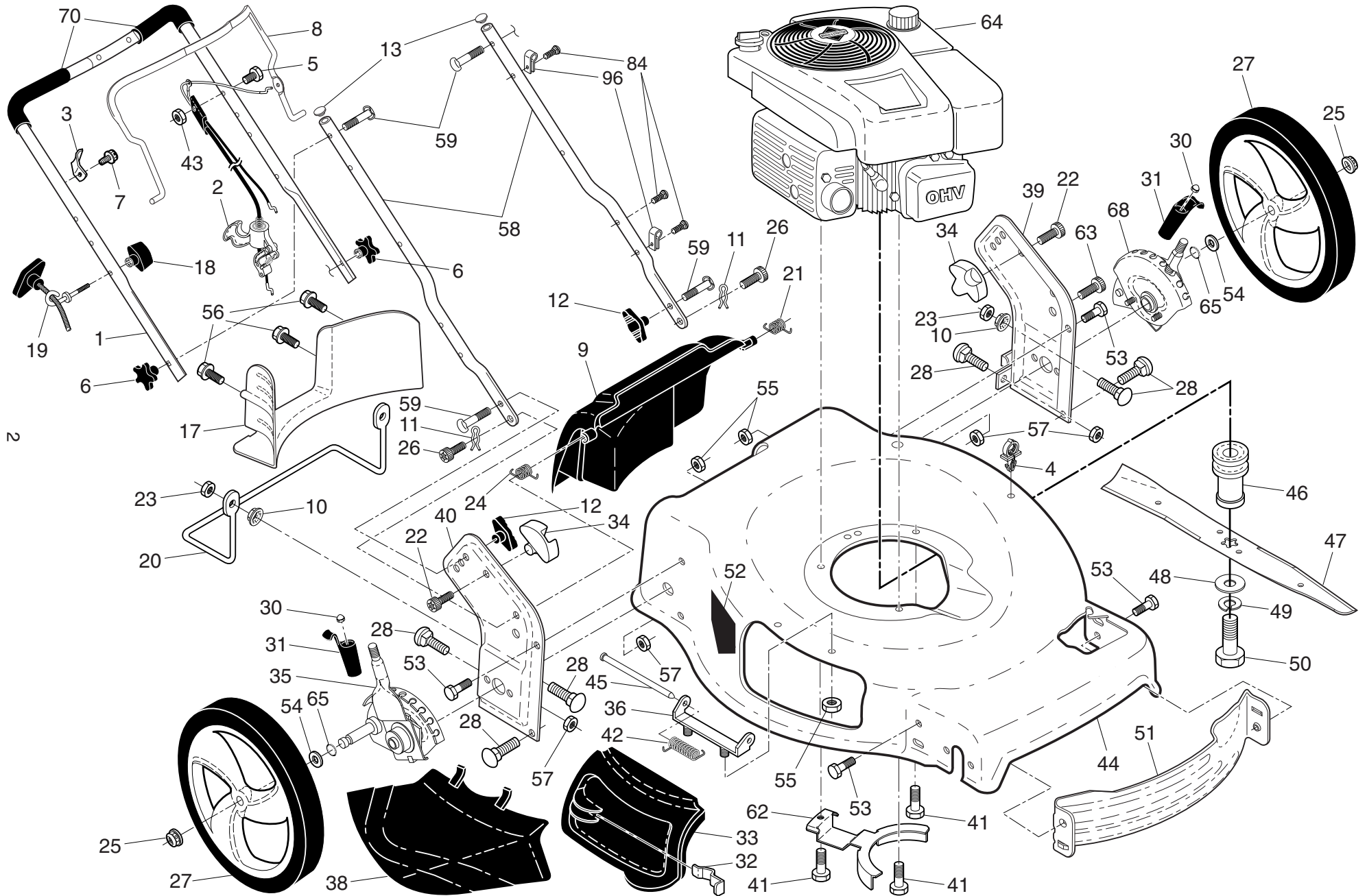
**BRAND: JONSERED**

**ROTARY LAWN MOWER**

**MODEL NUMBER: LM 2156CMDA**

**MFG. ID. NUMBER: 96141022308**

# JONSERED ROTARY LAWN MOWER - MODEL NUMBER LM 2156CMDA (MFG. ID. NUMBER 96141022308)



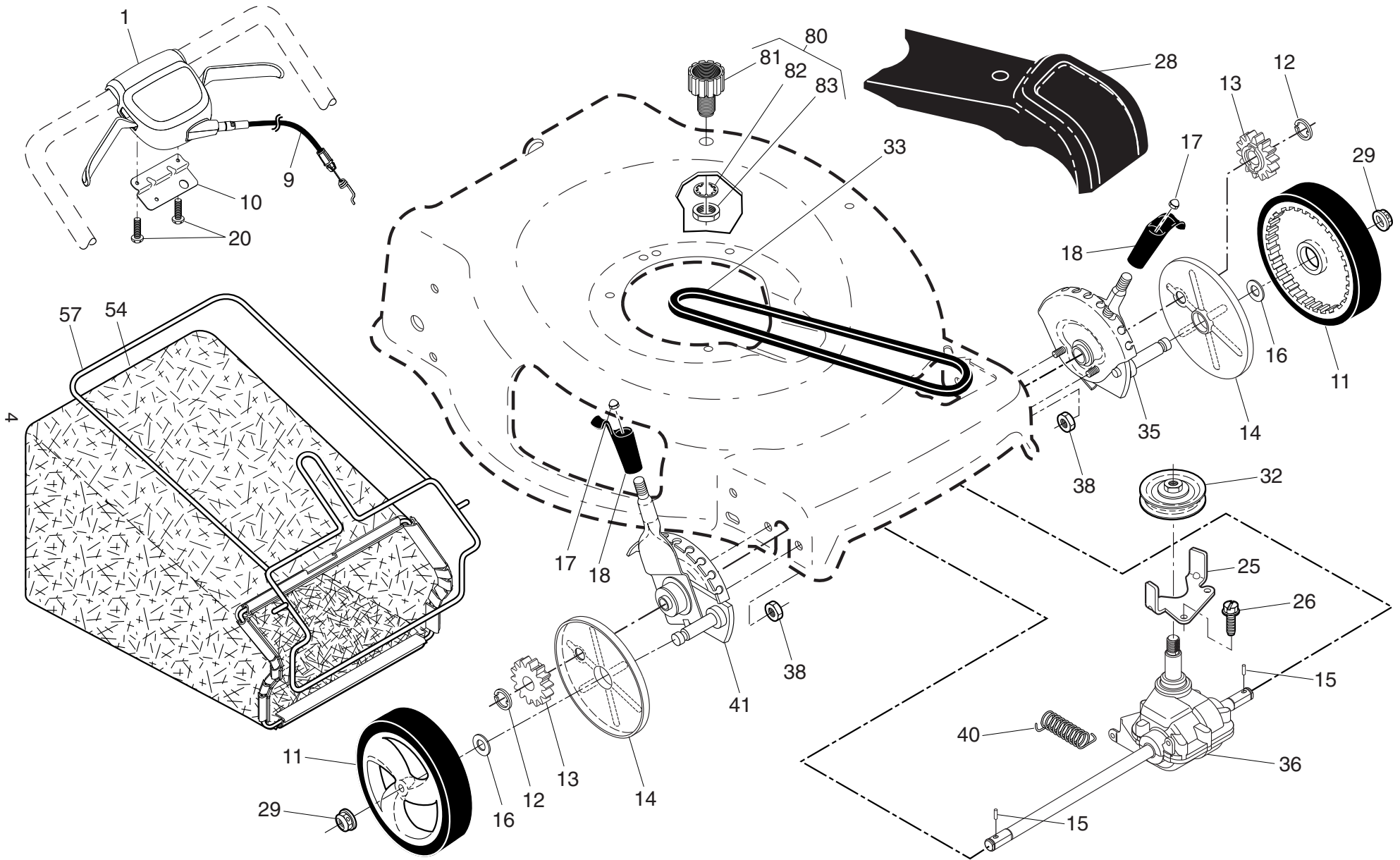
# JONSERED ROTARY LAWN MOWER - MODEL NUMBER LM 2156CMDA (MFG. ID. NUMBER 96141022308)

KEY NO.	PART NO.	DESCRIPTION	KEY NO.	PART NO.	DESCRIPTION
1	585 85 48-12	Upper Handle Assembly (Includes Foam Grip)	40	585 90 08-02	Handle Bracket, RH
2	585 65 08-11	Cable, Engine Zone Control / Rear Door Prop	41	532 15 04-06	Screw, Dogpoint 3/8-16 x 1-1/8
3	532 43 00-34	Bracket, Upstop	42	532 19 30-00	Spring, Torsion
4	532 14 50 06	Guide, Cable	43	532 13 20-04	Nut, Hex 1/4-20
5	532 19 96-87	Screw, Hex Head 1/4-20	44	581 70 83-60	Kit, Lawn Mower Housing
6	532 18 23-98	Handle Knob, Star	45	532 17 56-50	Rod, Hinge
7	532 17 88-48	Screw, Hex Washer Head #10-16 x 5/8	46	581 47 33-01	Blade Adapter / Pulley
8	532 42 65-05	Control Bar	47	580 24 40-01	Blade, 22"
9	532 42 63-00	Rear Door Assembly	48	532 85 10-74	Washer, Hardened
10	532 42 30-63	Palnut 5/16"	49	532 85 02-63	Washer, Helical
11	532 42 55-75	Hairpin, Door/Handle Pivot	50	532 85 10-84	Screw, Machine, Hex Head 3/8-24 x 1-3/8 Grade 8
12	532 19 19-38	Handle Knob, Standard	51	532 43 05-99	Front Baffle
13	532 43 75-16	Plug, Handle Bar	52	532 18 21-66	Decal, Danger
17	532 42 73-07	Rear Baffle	53	817 00 05-10	Screw, Semi-Gimlett Point 1/4-20 x 1/2
18	581 91 26-01	T-Knob	54	532 08 83-48	Washer, Flat
19	581 90 21-01	Rope Guide	55	532 19 17-30	Nut, Hex, Flanged 1/4-20
20	532 42 24-67	Foot Guard	56	817 41 13-12	Screw, Hex Washer Head #13 x 3/4
21	532 41 99-49	Spring, Rear Door, LH, Black	57	532 15 53-77	Nut, Hex 3/8-16
22	532 14 18-41	Screw, Panhead, Torx #20	58	585 90 82-02	Bar, Lower Handle
23	873 97 05-00	Nut, Hex	59	532 19 15-74	Handle Bolt
24	532 41 99-48	Spring, Rear Door, RH, Grey	62	532 43 50-59	Belt Retainer
25	532 40 91-49	Nut, Hex, Flanged	63	532 17 88-48	Screw #10-16 x 5/8
26	532 41 99-45	Screw, Door/Handle Pivot	64	- - -	Engine, Briggs & Stratton, Model Number 12S902-0110-H1 (order parts from Engine manufacturer)
27	532 43 27-47	Wheel & Tire Assembly, Rear	65	532 19 74-80	O-Ring
28	586 21 25-01	Bolt, Carriage 5/16-18 x 5/8	68	532 43 11-34	Kit, Wheel Adjuster, Rear, LH (Includes Knob and Pushnut)
30	532 41 38-08	Nut, Push	70	585 16 10-02	Grip, Foam
31	532 43 18-93	Selector Knob	84	532 42 81-24	Fastener, Push
32	532 44 11-92	Latch, Mulcher Door	96	532 19 79-91	Clip, Cable
33	532 43 26-42	Mulcher Door	--	532 42 38-49	Bag of Parts (Includes Key Numbers 12 and 59)
34	532 42 61-25	Pivot Bracket	--	115 63 65-20	Operator's Manual, European
35	532 43 11-31	Kit, Wheel Adjuster, Rear, RH (Includes Knob and Pushnut)	--	115 63 65-10	Operator's Manual, Scandinavian
36	532 17 57-35	Hinge Bracket Assembly	--	115 63 65-50	Operator's Manual, East Bloc
38	532 42 61-29	Discharge Deflector	--	115 63 65-40	Operator's Manual, Baltic
39	585 90 07-02	Handle Bracket, LH	--	115 63 65-53	Operator's Manual, Turkish / Ukranian

**NOTE:** All component dimensions given in U.S. inches. 1 inch = 25.4 mm

**IMPORTANT:** Use only Original Equipment Manufacturer (O.E.M.) replacement parts. Failure to do so could be hazardous, damage your lawn mower and void your warranty.

# JONSERED ROTARY LAWN MOWER - MODEL NUMBER LM 2156CMDA (MFG. ID. NUMBER 96141022308)



# JONSERED ROTARY LAWN MOWER - MODEL NUMBER LM 2156CMDA (MFG. ID. NUMBER 96141022308)

KEY NO.	PART NO.	DESCRIPTION	KEY NO.	PART NO.	DESCRIPTION
1	579 70 89-09	Drive Control Assembly (Includes Cable)	29	532 40 91-48	Locknut, Hex
9	532 43 16-49	Cable, Drive Control	32	586 98 97-01	Drive Pulley
10	532 43 27-90	Bracket, Drive Control	33	532 42 66-09	V-Belt
11	532 40 25-67	Wheel & Tire Assembly, Front	35	532 43 11-24	Kit, Wheel Adjuster, Front, LH (Includes Black Knob and Pushnut)
12	812 00 00-58	E-Ring	36	532 42 47-41	Gear Case Assembly, Complete
13	532 40 38-49	Pinion	38	532 43 81-30	Locknut, Hex 1/4-20
14	581 84 04-01	Dust Cover	40	532 40 65-58	Spring
15	532 40 48-45	Pawl, Drive	41	532 43 11-21	Kit, Wheel Adjuster, Front, RH (Includes Black Knob and Pushnut)
16	532 06 77-25	Washer, Flat 3/8	54	580 94 73-02	Grassbag
17	532 41 38-08	Nut, Push	57	585 05 47-02	Frame, Grassbag
18	532 43 18-95	Selector Knob	80	532 43 84-89	Water Washout Assembly
20	532 18 16-98	Screw	81	532 43 49-94	Fitting, Water Washout
25	532 43 17-11	Belt Keeper	82	532 41 55-85	Washer, Lock, Internal Tooth
26	532 16 34-09	Screw, Hi-Lo Thread #12 x 5/8	83	532 41 55-86	Locknut, Hex, with O-Ring
28	580 28 99-01	Drive Cover Assembly (Includes Mounting Screw and Pushnut)			

**NOTE:** All component dimensions given in U.S. inches. 1 inch = 25.4 mm

**IMPORTANT:** Use only Original Equipment Manufacturer (O.E.M.) replacement parts. Failure to do so could be hazardous, damage your lawn mower and void your warranty.