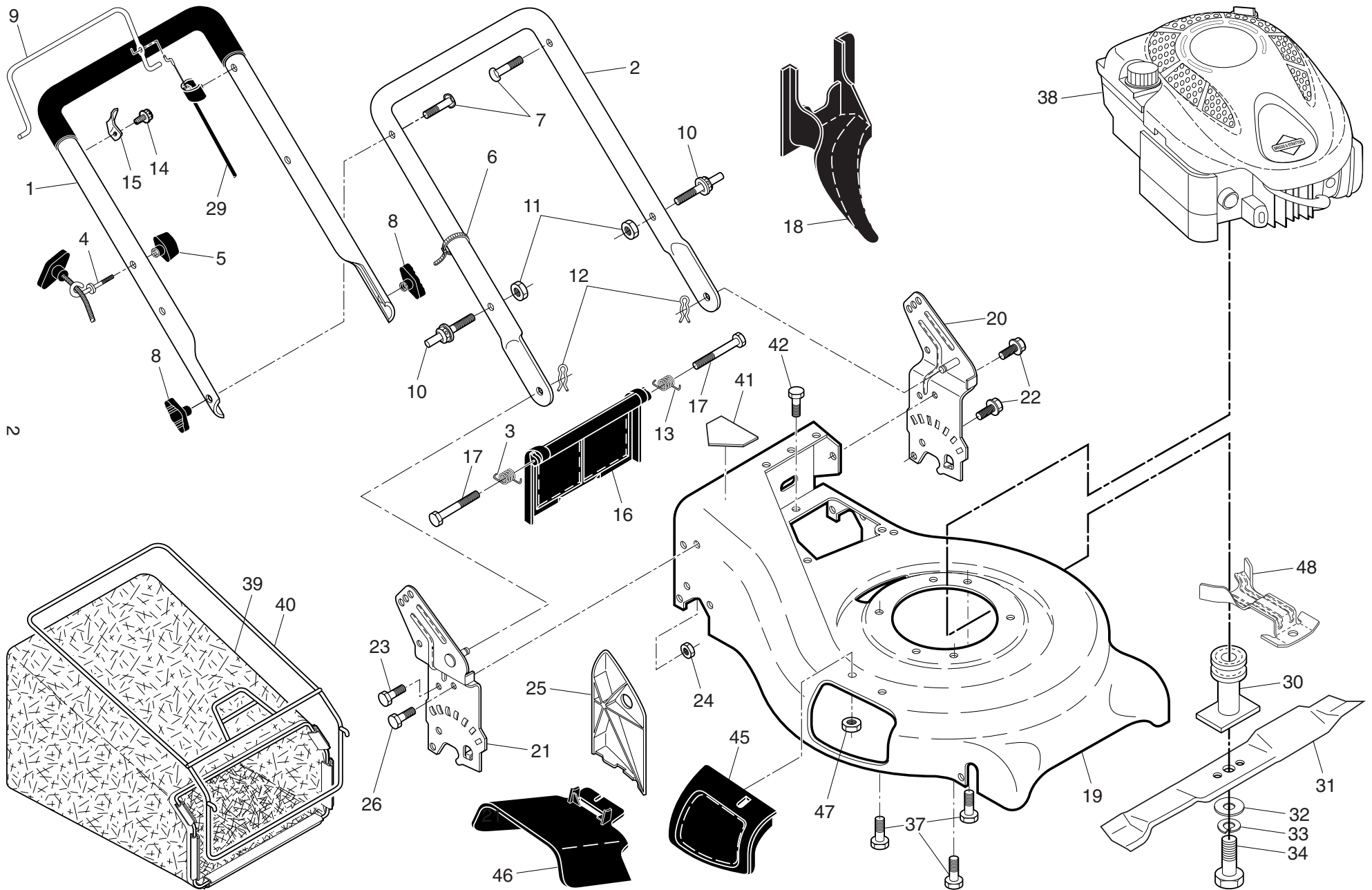


**ILLUSTRATED PARTS LIST**

**MODEL NUMBER LM 2152CMDA**

**MFG. ID. NUMBER 96141019406**

# JONSERED ROTARY LAWN MOWER - MODEL NUMBER LM 2152CMDA (MFG. ID. NUMBER 96141019406)



# JONSERED ROTARY LAWN MOWER - MODEL NUMBER LM 2152CMDA (MFG. ID. NUMBER 96141019406)

| KEY NO. | PART NO.            | DESCRIPTION                                  |
|---------|---------------------|--|
| 1       | <b>580 63 87-14</b> | Upper Handle Assembly (Includes Foam Grip)   |
| 2       | 532 19 60-05        | Handle, Lower                                |
| 3       | 532 40 54-16        | Spring, Rear Door, RH                        |
| 4       | <b>581 90 21-01</b> | Rope Guide                                   |
| 5       | <b>581 91 26-01</b> | T-Knob                                       |
| 6       | 532 06 64-26        | Wire, Tie                                    |
| 7       | 532 19 15-74        | Bolt, Handle 5/16-18 x 2-5/8                 |
| 8       | 532 19 19-38        | Knob, Handle                                 |
| 9       | 532 42 65-05        | Control Bar                                  |
| 10      | 532 18 88-21        | Bolt, Carriage                               |
| 11      | 532 75 11-53        | Nut, Hex, with Lockwasher Insert 5/16-18 UNC |
| 12      | 532 05 17-93        | Cotter, Hairpin                              |
| 13      | 532 40 54-15        | Spring, Rear Door, LH                        |
| 14      | 532 17 88-48        | Screw, Hex Washer Head #10-16 x 5/8          |
| 15      | 532 43 00-34        | Bracket, Upstop                              |
| 16      | 532 40 88-88        | Rear Door Assembly                           |
| 17      | 532 18 41-93        | Bolt, Rear Door                              |
| 18      | 532 19 81-70        | Plug, Mulcher                                |
| 19      | 532 43 87-14        | Kit, Housing                                 |
| 20      | 532 19 40-29        | Handle Bracket Assembly, LH                  |
| 21      | 532 19 40-31        | Handle Bracket Assembly, RH                  |
| 22      | 532 42 88-67        | Screw, Hex Washer Head                       |
| 23      | 532 16 31-83        | Bolt, Hex Head 5/16-18 x 5/8                 |
| 24      | 873 80 05-00        | Nut, Hex, with Lockwasher Insert 5/16-18     |

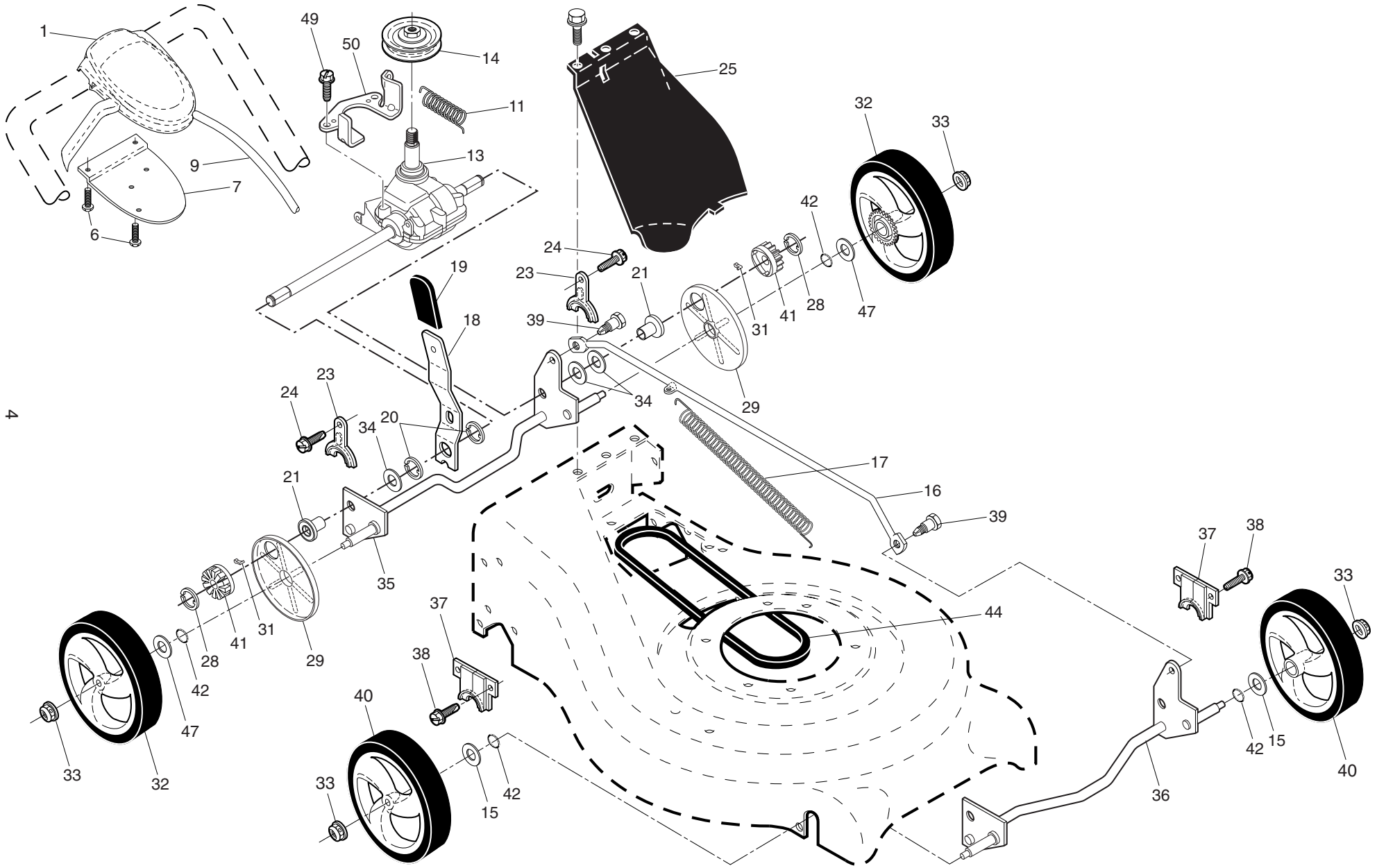
| KEY NO. | PART NO.     | DESCRIPTION   |
|---------|--------------|---|
| 25      | 532 16 13-33 | Baffle, Side  |
| 26      | 532 16 34-09 | Screw #12 x 5/8   |
| 29      | 532 42 74-97 | Cable, Engine Zone Control  |
| 30      | 532 42 11-76 | Blade Adapter / Pulley  |
| 31      | 532 19 93-77 | Blade, 21"  |
| 32      | 532 85 10-74 | Washer  |
| 33      | 532 85 02-63 | Washer, Lock  |
| 34      | 532 85 10-84 | Bolt, Hex Head  |
| 37      | 532 15 04-06 | Bolt, Engine  |
| 38      | - - -        | Engine, Briggs & Stratton, Model Number 124T02-0310-H1 (Order parts from Engine manufacturer) |
| 39      | 581 00 29-01 | Grassbag  |
| 40      | 532 41 19-51 | Frame, Grassbag   |
| 41      | 532 18 21-66 | Danger Decal  |
| 42      | 817 06 04-10 | Screw   |
| 45      | 532 19 13-41 | Mulcher Door  |
| 46      | 532 19 12-10 | Discharge Deflector   |
| 47      | 532 08 83-49 | Locknut, Hex  |
| 48      | 532 42 90-01 | Belt Keeper   |
| --      | 532 18 21-34 | Warning Decal (not shown)   |
| --      | 532 43 20-54 | Operator's Manual, European   |
| --      | 532 43 20-55 | Operator's Manual, Scandinavian   |
| --      | 532 43 20-56 | Operator's Manual, East Bloc  |
| --      | 532 43 20-57 | Operator's Manual, Baltic   |

3

**NOTE:** All component dimensions given in U.S. inches. 1 inch = 25.4 mm

**IMPORTANT:** Use only Original Equipment Manufacturer (O.E.M.) replacement parts. Failure to do so could be hazardous, damage your lawn mower and void your warranty.

# JONSERED ROTARY LAWN MOWER - MODEL NUMBER LM 2152CMDA (MFG. ID. NUMBER 96141019406)



# JONSERED ROTARY LAWN MOWER - MODEL NUMBER LM 2152CMDA (MFG. ID. NUMBER 96141019406)

| KEY NO. | PART NO.            | DESCRIPTION  | KEY NO. | PART NO.     | DESCRIPTION                        |
|---------|---------------------|--|---------|--------------|------------------------------------|
| 1       | 532 43 31-60        | Drive Control Assembly (Includes Cable)                    | 28      | 812 00 00-58 | E-Ring 7/16                        |
| 6       | 532 18 16-98        | Screw, Tapping, Hex Washer Head #10-24                     | 29      | 581 84 04-01 | Cover, Dust, Wheel                 |
| 7       | 532 40 07-23        | Mounting Bracket, Drive                                    | 31      | 532 40 48-45 | Pawl, Drive                        |
| 9       | 532 40 62-58        | Cable, Drive Control                                       | 32      | 581 68 53-01 | Wheel & Tire Assembly, Rear        |
| 11      | 532 40 65-58        | Spring, Return   | 33      | 532 40 91-48 | Nut, Hex, Flangelock 3/8-16        |
| 13      | 532 41 92-13        | Gear Case Assembly, Complete                               | 34      | 532 85 12-26 | Washer                             |
| 14      | 532 19 34-43        | Pulley, Drive  | 35      | 532 41 09-22 | Shaft Assembly, Rear               |
| 15      | 532 08 83-48        | Washer, Flat 3/8   | 36      | 532 41 09-33 | Shaft Assembly, Front              |
| 16      | 532 40 71-47        | Rod, Connecting  | 37      | 532 16 14-63 | Retainer, Front Shaft              |
| 17      | 532 40 96-16        | Spring, Extension  | 38      | 532 16 34-09 | Screw, Hi-Lo Thread #12 x 5/8      |
| 18      | 532 41 88-66        | Spring, Selector   | 39      | 532 40 70-59 | Bolt                               |
| 19      | 532 19 00-69        | Knob, Selector Spring                                      | 40      | 532 41 13-24 | Wheel & Tire Assembly, Front 8 x 2 |
| 20      | 812 00 00-22        | E-Ring 7/8   | 41      | 532 40 48-35 | Pinion                             |
| 21      | <b>532 40 48-38</b> | Bearing Assembly   | 42      | 532 19 74-80 | O-Ring                             |
| 23      | 532 16 45-55        | Retainer, Drive Assembly, Stamped                          | 44      | 532 40 65-80 | V-Belt                             |
| 24      | 817 06 04-10        | Screw, Tapping, Hex Head 1/4-20 x 3/4                      | 47      | 532 06 77-25 | Washer 1/2 x 1-1/2 x .134          |
| 25      | 532 43 26-71        | Drive Cover Assembly (Includes Mounting Screw and Pushnut) | 50      | 532 41 31-04 | Belt Keeper                        |

**NOTE:** All component dimensions given in U.S. inches. 1 inch = 25.4 mm

**IMPORTANT:** Use only Original Equipment Manufacturer (O.E.M.) replacement parts. Failure to do so could be hazardous, damage your lawn mower and void your warranty.