

ILLUSTRATED PARTS LIST

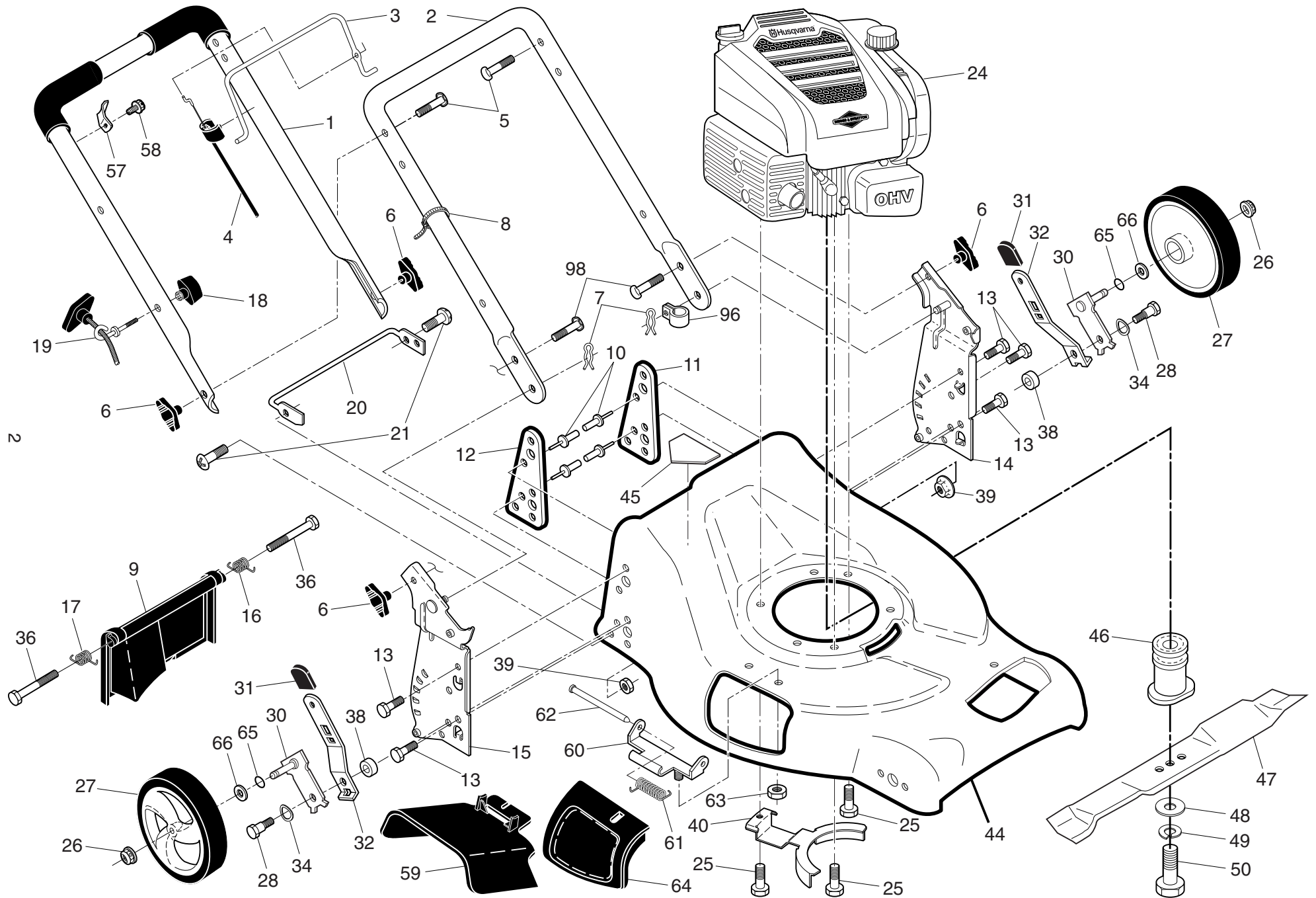
BRAND: JONSERED

ROTARY LAWN MOWER

MODEL NUMBER: LM 2153CMDA

MFG. ID. NUMBER: 96141031600

JONSERED ROTARY LAWN MOWER - - MODEL NUMBER LM 2153CMDA (MFG. ID. NUMBER 96141031600)

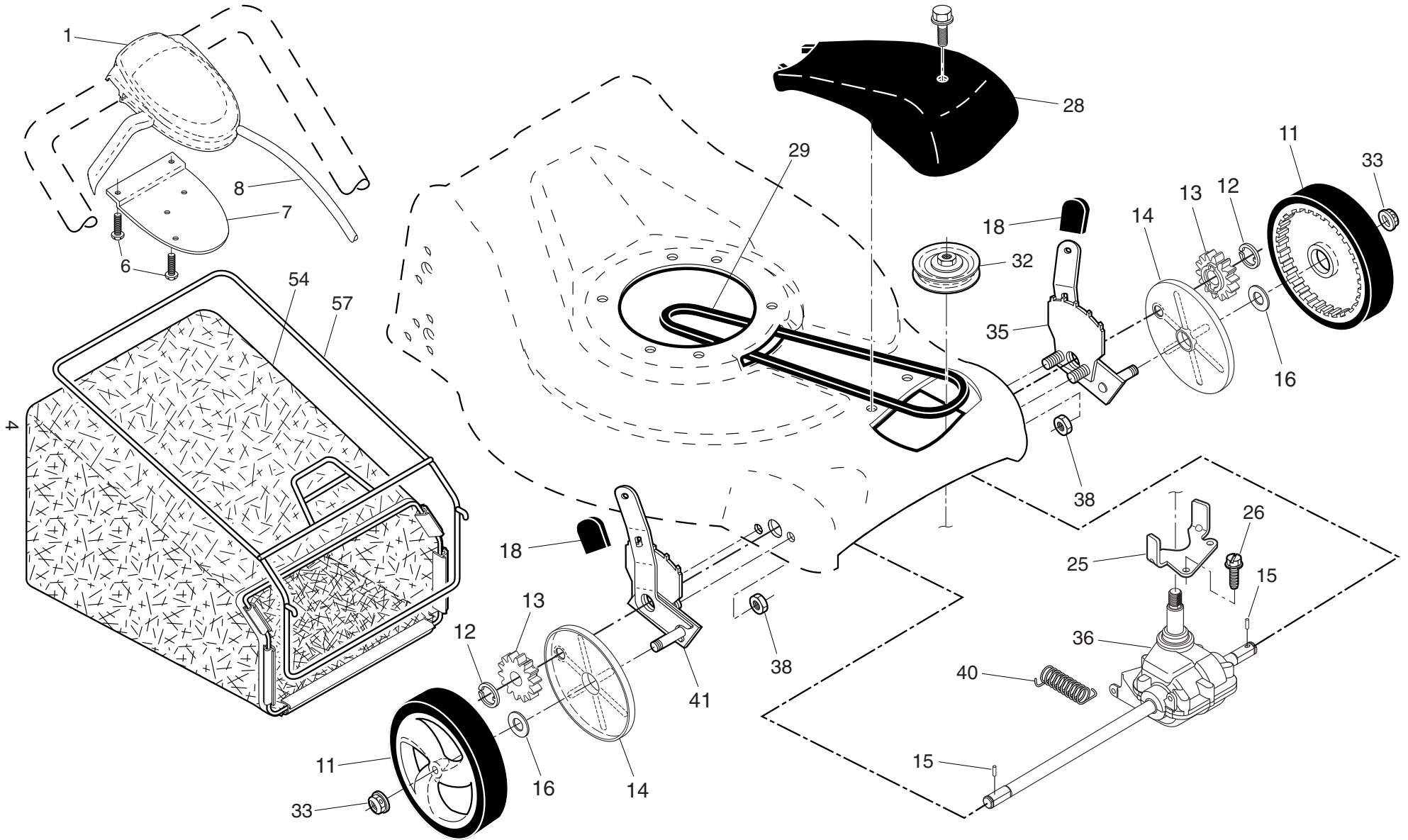


JONSERED ROTARY LAWN MOWER - - MODEL NUMBER LM 2153CMDA (MFG. ID. NUMBER 96141031600)

KEY NO.	PART NO.	DESCRIPTION	KEY NO.	PART NO.	DESCRIPTION
1	580 63 87-14	Upper Handle Assembly (Includes Foam Grip)	38	532 40 16-29	Spacer
2	532 43 45-14	Lower Handle	39	532 15 53-77	Nut, Hex, Flanged
3	532 42 65-05	Control Bar	40	532 43 50-59	Belt Keeper
4	532 41 53-50	Engine Zone Control Cable	44	532 43 90-57	Kit, Lawn Mower Housing (Includes Key Numbers 10, 11, 12 and 45)
5	532 19 15-74	Handle Bolt	45	532 18 21-66	Danger Decal
6	532 19 19-38	Handle Knob	46	532 43 22-79	Blade Adapter / Pulley
7	532 05 17-93	Hairpin Cotter	47	532 19 93-77	Blade, 21"
8	532 06 64-26	Wire Tie	48	532 85 10-74	Hardened Washer
9	532 40 69-85	Rear Door	49	532 85 02-63	Helical Washer 3/8-24 x 1-3/8 Grade 8
10	532 12 84-15	Pop Rivet	50	532 85 10-84	Screw, Machine, Hex Head, Grade 8 3/8-24 x 1-3/8
11	532 41 05-40	Support Bracket, LH	57	532 43 00-34	Upstop Bracket
12	532 41 05-42	Support Bracket, RH	58	532 17 88-48	Screw, Hex Washer Head #10-16 x 5/8
13	817 06 04-10	Screw 1/4-20 x 5/8	59	532 17 50-71	Discharge Deflector
14	532 43 45-63	Handle Bracket Assembly, LH	60	532 17 57-35	Hinge Bracket
15	532 43 45-62	Handle Bracket Assembly, RH	61	532 19 30-00	Spring, Hinge
16	532 40 54-17	Spring, Rear Door, LH	62	532 17 56-50	Hinge Rod
17	532 40 54-18	Spring, Rear Door, RH	63	873 80 04-00	Nut, Hex
18	581 91 26-01	T-Knob	64	532 17 50-66	Mulcher Door
19	581 90 21-01	Rope Guide	65	532 19 74-80	O-Ring
20	532 43 61-19	Foot Guard, C.E.	66	532 08 83-48	Washer, Flat 1/2
21	817 49 04-16	Screw, Tapping 1/4-20 x 1/2	96	532 19 79-91	Clip, Cable
24	- - -	Engine, Briggs & Stratton, Model Number 103M02-0027-H1 (order parts from B&S)	98	586 21 25-01	Bolt
25	532 15 04-06	Hex Head Thread Rolling Screw 3/8-16 x 1-1/8	--	581 00 67-10	Bag of Parts (Includes Key Numbers 6 and 98)
26	532 40 91-48	Hex Flange Nut	--	532 18 21-91	Decal, Warning (not shown)
27	532 40 25-66	Wheel & Tire Assembly, Rear, 8"	--	115 78 91-20	Operator's Manual, European
28	532 40 16-38	Shoulder Bolt 5/16-18 x .33	--	115 78 91-10	Operator's Manual, Scandinavian
30	532 41 21-74	Axle Arm Assembly	--	115 78 91-50	Operator's Manual, East Bloc
31	532 70 10-37	Selector Knob	--	115 78 91-40	Operator's Manual, Baltic
32	532 41 08-88	Selector Spring	--	115 78 91-53	Operator's Manual, Ukranian / Turkish
34	532 40 16-30	Washer, Curved, Cylindrical			
36	532 18 41-93	Bolt			

NOTE: All component dimensions given in U.S. inches. 1 inch = 25.4 mm. **IMPORTANT:** Use only Original Equipment Manufacturer (O.E.M.) replacement parts. Failure to do so could be hazardous, damage your lawn mower and void your warranty.

JONSERED ROTARY LAWN MOWER - - MODEL NUMBER LM 2153CMDA (MFG. ID. NUMBER 96141031600)



JONSERED ROTARY LAWN MOWER - - MODEL NUMBER LM 2153CMDA (MFG. ID. NUMBER 96141031600)

KEY NO.	PART NO.	DESCRIPTION	KEY NO.	PART NO.	DESCRIPTION
1	532 42 52-16	Drive Control Assembly (Includes Cable)	26	532 16 34-09	Screw
6	532 18 16-98	Screw	28	532 43 26-63	Drive Cover Assembly (Includes Mounting Screw and Pushnut)
7	532 40 07-23	Bracket, Drive	29	532 19 41-49	V-Belt
8	532 40 62-59	Cable Assembly, Drive	32	586 98 97-01	Drive Pulley
11	532 40 25-67	Wheel & Tire Assembly	33	532 40 91-48	Locknut, Hex
12	812 00 00-58	E-Ring	35	532 43 81-51	Wheel Adjuster, LH (Includes Bearing)
13	532 40 38-49	Pinion	36	532 40 48-33	Gearcase Assembly, Complete
14	581 84 04-01	Dust Cover	38	873 80 04-00	Locknut, Hex 1/4-20
15	532 40 48-45	Pawl, Drive	40	532 40 65-58	Spring
16	532 06 77-25	Washer 1/2 x 1-1/2 x .134	41	532 43 81-48	Wheel Adjuster, RH (Includes Bearing)
18	532 70 10-37	Selector Knob	54	580 95 34-02	Grassbag Assembly
25	532 43 17-11	Belt Keeper	57	532 41 19-50	Frame, Grassbag

5

NOTE: All component dimensions given in U.S. inches. 1 inch = 25.4 mm. **IMPORTANT:** Use only Original Equipment Manufacturer (O.E.M.) replacement parts. Failure to do so could be hazardous, damage your lawn mower and void your warranty.