

**IPL, LM 2150 SM, 2016-04, V15000001**

**961110024-09**

# **LM 2150 SM**

**Spare parts**

**Ersatzteile**

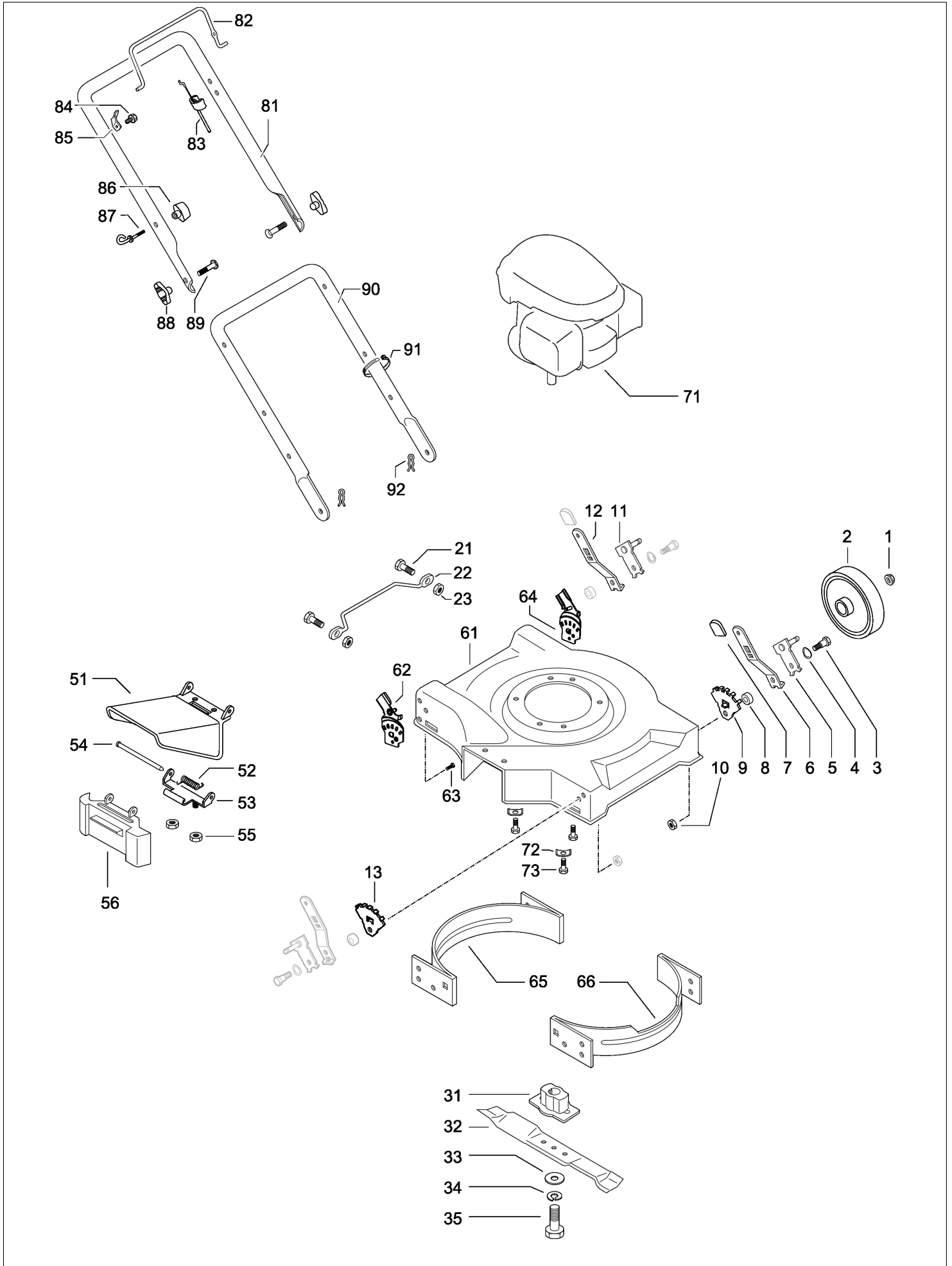
**Pièces détachées**

**Reserve onderdelen**

**Repuestos**

**Reservdelar**

HUSQVARNA ITALIA SPA



**HUSQVARNA ITALIA SPA**

Item	PN	Description	Qty	Item	PN	Description	Qty
1	532 40 91-48	nut, hex	4	72	532 12 50-78	washer, engine	2
2	532 19 42-30	wheel assembly 200mm	4	73	531 21 28-51	screw 3/8" + split washer	3
3	532 40 16-38	shoulder bolt	4	81	532 44 82-63	upper handle	1
4	532 40 16-30	washer	4	82	532 19 60-25	control bar	1
5	532 40 78-71	axle arm assembly, front	2	83	532 44 09-34	engine zone control cable	1
6	532 40 64-28	spring, selector, front	2	84	532 17 88-48	screw, self-tapping #10-24 x 1/2	1
7	532 08 78-77	knob, selector	4	85	532 43 00-34	up-stop bracket	1
8	532 40 16-29	spacer	4	86	581 91 26-01	t-knob	1
9	532 41 44-41	bracket, wheel adjusting left front	1	87	581 90 21-01	rope guide	1
10	532 75 11-53	locknut, hex 5/8-16	4	88	532 19 19-38	handle knob	2
11	588 62 71-02	axle arm assembly, rear	2	89	532 19 15-74	bolt 1/4-20	2
12	587 85 78-02	spring, selector, rear	2	90	532 43 45-14	lower handle	1
13	532 41 44-40	bracket, wheel adjusting right front	1	91	531 20 55-81	wire tie	1
21	871 19 10-12	screw	2	92	532 05 17-93	hairpin cotter	2
22	532 43 19-95	foot guard	1				
23	532 06 91-80	nut, hex	2				
31	581 54 79-01	blade adapter	1				
32	532 14 51-06	blade, 20"	1				
33	532 85 10-74	washer, hardened	1				
34	532 85 02-63	helical lock washer	1				
35	532 85 10-84	screw, machine, hex head, grade 8 3/8-24 x 1-3/8	1				
51	532 43 20-40	discharge guard	1				
52	532 41 18-32	spring, hinge	1				
53	532 08 86-02	hinge bracket	1				
54	532 15 02-15	rod, hinge	1				
55	873 80 04-00	nut, hex	2				
56	532 41 24-00	plug, mulcher	1				
61	587 57 20-02	deck	1				
62	587 33 27-02	handle bracket, rh	1				
63	817 49 04-08	screw	2				
64	587 33 28-02	handle bracket, lh	1				
65	587 99 14-01	baffle, rear	1				
66	588 54 88-01	front baffle	1				
71	———	engine, Briggs & Stratton, model number 08P5020012H1	1				