

ILLUSTRATED PARTS LIST

BRAND: JONSERED

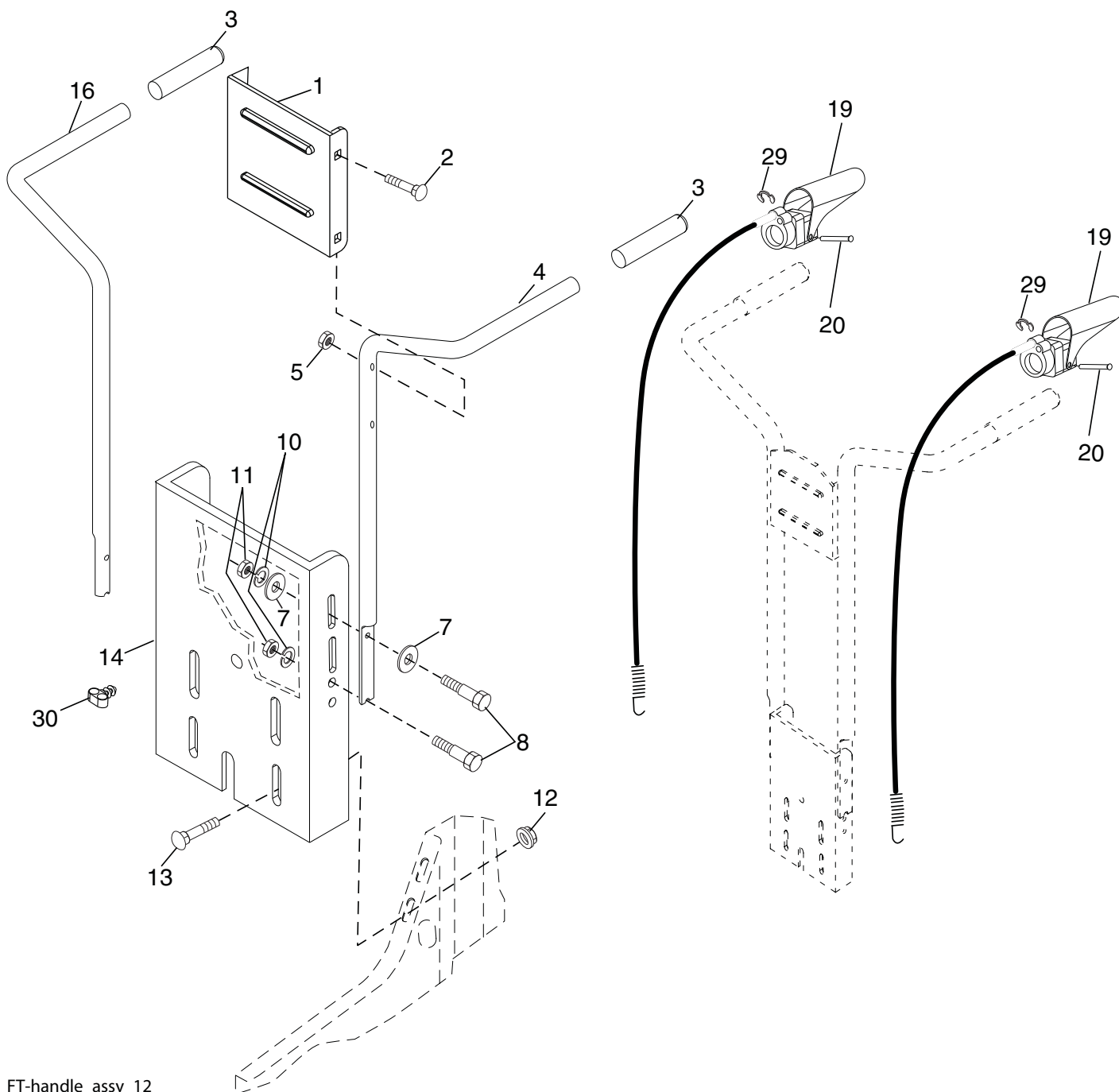
FRONT TINE TILLER

MODEL NUMBER: J208F24

MFG. ID. NUMBER: 96083001200

JONSERED TILLER - MODEL NUMBER J208F24 (MFG. ID. NO. 96083001200)

HANDLE ASSEMBLY



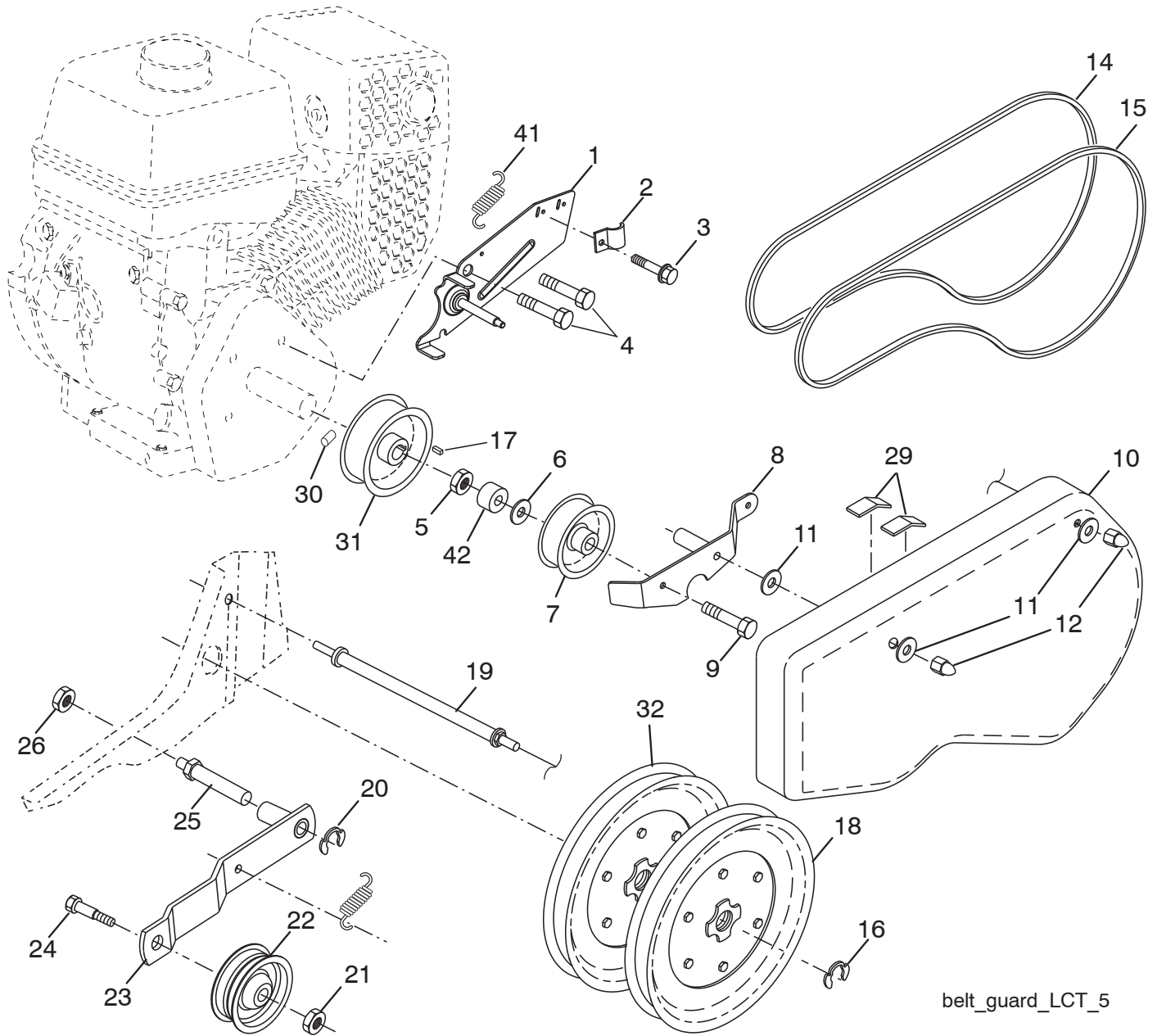
FT-handle_assy_12

KEY NO.	PART NO.	DESCRIPTION
1	588 25 30-01	Panel, Control
2	872 14 05-12	Bolt, Round Head 5/16-18 x 1-1/2
3	532 16 57-87	Grip, Handle
4	532 44 60-13	Handle, Double Bend, LH
5	532 75 11-53	Nut, Crownlock 5/16 -18
7	819 12 14-14	Washer 3/8 x 7/8 x 14 Gauge
8	874 76 05-20	Bolt, Hex Head 5/16-18 x 1-1/4
10	810 04 05-00	Washer, Lock 5/16
11	873 22 05-00	Nut, Hex 5/16-18
12	898 00 01-29	Nut, Hex, Flanged
13	532 18 08-47	Bolt, Round Head 5/16-18 x 3/4

KEY NO.	PART NO.	DESCRIPTION
14	580 47 20-01	Panel Assembly
16	532 44 60-14	Handle, Double Bend, RH
19	532 18 85-62	Lever, Tine Control
20	532 18 85-55	Pin, Pivot
29	812 00 00-59	Retainer, Ring
30	532 18 15-80	Routing Clip
--	532 44 62-69	Bag of Parts (Includes Key Numbers 7, 8, 10 and 11)

NOTE: All component dimensions given in U.S. inches.
1 inch = 25.4 mm

JONSERED TILLER - MODEL NUMBER J208F24 (MFG. ID. NO. 96083001200)
BELT GUARD AND PULLEY ASSEMBLY

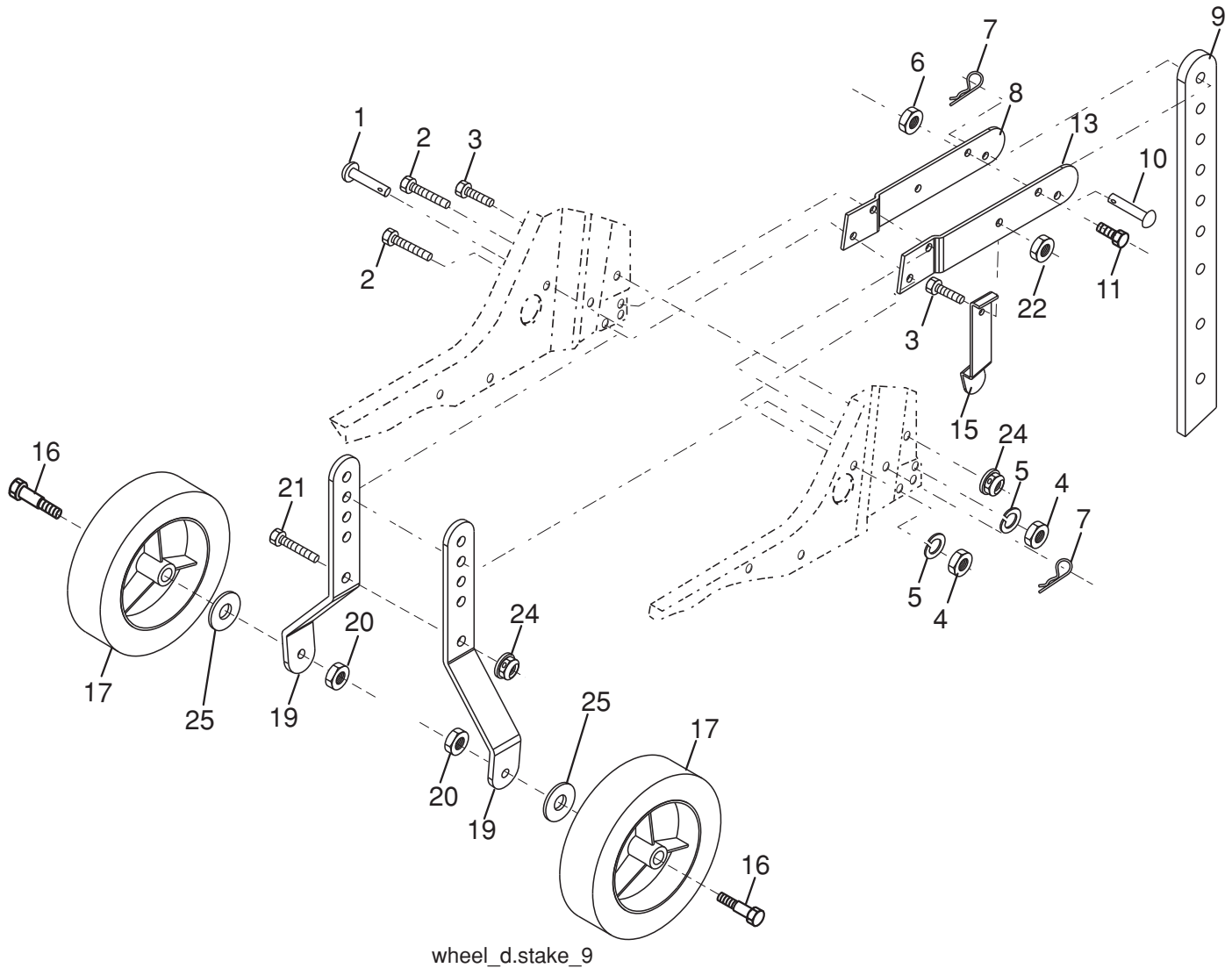


KEY NO.	PART NO.	DESCRIPTION
1	532 43 91-62	Bracket Assembly, Belt Guard
2	532 44 60-45	Clip, Cable
3	532 15 00-50	Screw #10-24 x 1/2
4	874 77 05-08	Bolt, Hex Head 5/16-24 x 1/2
5	532 75 11-53	Locknut, Hex 3/8-16
6	532 43 72-59	Spacer
7	584 91 12-01	Pulley, Idler, Reverse
8	532 44 60-51	Reverse Idler Arm Assembly
9	874 78 05-36	Cap Screw, Hex Head 3/8-16 x 2
10	532 19 58-51	Guard, Belt
11	819 09 10-16	Washer
12	532 10 42-13	Nut, Cap 1/4- 20
14	532 13 30-35	V-Belt (Forward Motion)
15	532 44 60-54	V-Belt (Reverse)
16	812 00 00-28	Ring, Retainer
17	532 44 60-48	Key, Square
18	532 15 12-36	Sheave, Transmission "Flat"

KEY NO.	PART NO.	DESCRIPTION
19	532 18 85-02	Bolt, Belt Guard
20	812 00 00-36	Ring, Klip
21	873 35 06-00	Locknut, Hex 3/8-16
22	532 16 18-06	Pulley, Idler
23	532 44 60-42	Arm, Idler
24	532 17 37-16	Bolt 3/8-16 x 1-1/4
25	532 10 69-68	Shaft, Idler Arm
26	873 35 05-00	Nut, Hex, Jam 5/16-18
29	532 10 92-27	Pad, Idler
30	823 20 04-04	Set Screw, Socket, Headless, C.P 1/4-20 x 1/4
31	532 10 11-89	Sheave, Engine
32	532 15 12-23	Sheave, Transmisison
41	532 18 03-07	Spring Extension
42	532 42 16-13	Spacer, Control Lever

NOTE: All component dimensions given in U.S. inches.
 1 inch = 25.4 mm

JONSERED TILLER - MODEL NUMBER J208F24 (MFG. ID. NO. 96083001200)
WHEEL AND DEPTH STAKE ASSEMBLY

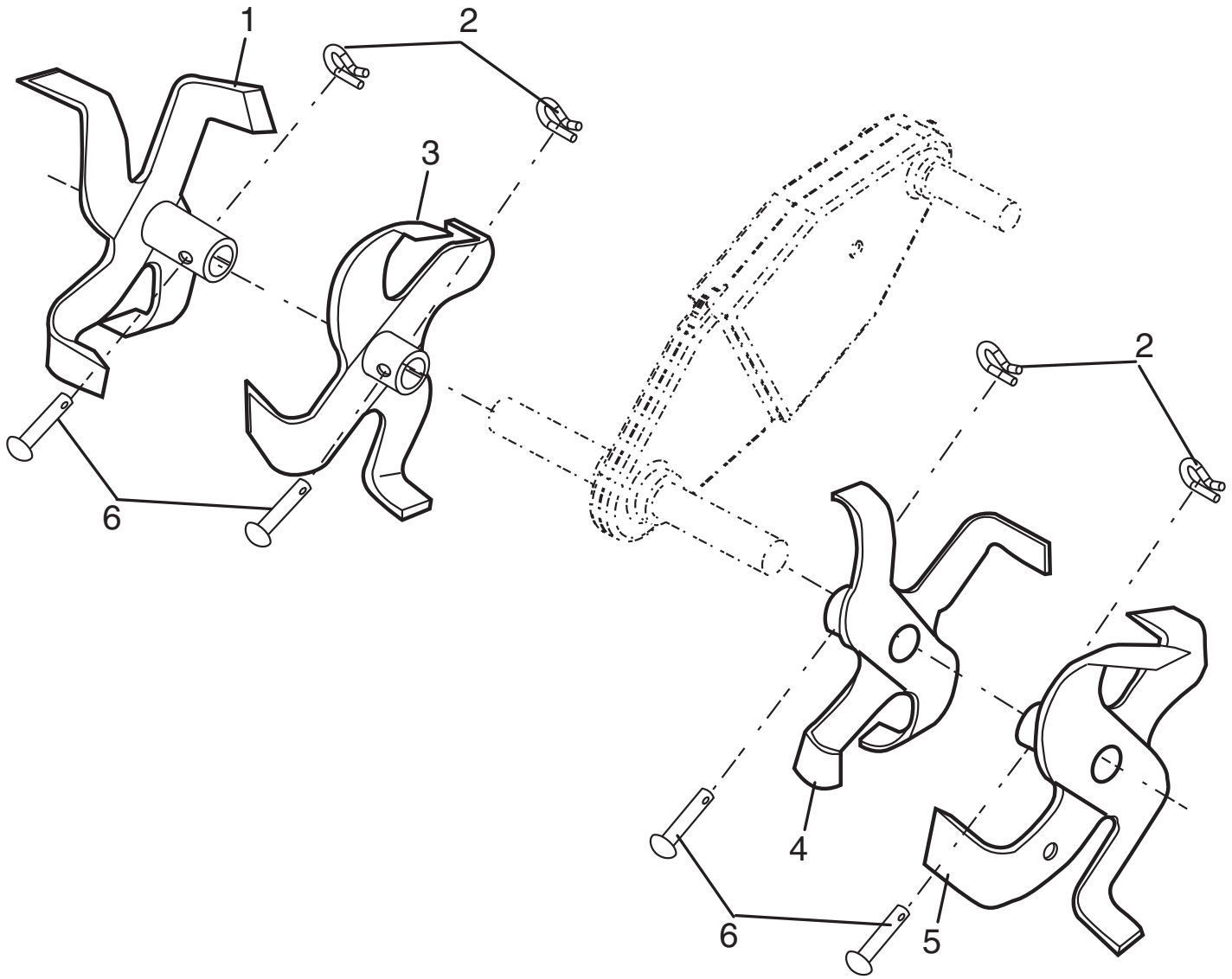


KEY NO.	PART NO.	DESCRIPTION
1	532 44 36-76	Pin, Clevis
2	874 76 05-20	Bolt, Hex Head 5/16-18 x 1-1/4
3	874 78 05-12	Bolt, Hex Head 5/16-18 x 3/4
4	873 22 05-00	Nut, Hex 5/16-18
5	810 04 05-00	Washer, Lock 5/16
6	873 80 06-00	Locknut, Hex, with Washer Insert 3/8-16
7	532 12 49-61	Clip, Hairpin
8	532 44 60-61	Support, Depth Stake, R.H.
9	532 44 60-66	Stake, Depth
10	532 44 60-59	Pin, Clevis
11	874 78 06-28	Bolt, Hex Head 3/8-16 x 1-3/4
13	532 44 60-60	Support, Depth Stake, L.H.
15	532 44 60-63	Spring, Stake

KEY NO.	PART NO.	DESCRIPTION
16	532 12 11-17	Bolt, Shoulder
17	532 42 70-25	Wheel
19	532 44 60-11	Bracket, Wheel
20	873 68 06-00	Nut, Crownlock 3/8-16
21	874 76 05-16	Bolt, Hex Head 5/16-18 x 1
22	873 80 05-00	Locknut, Hex, with Washer Insert 5/16-18
24	873 97 05-00	Locknut, Hex, Flanged 5/16-18 UNC
25	819 17 14-16	Washer 17/32 x 7/8 x 16 Gauge

NOTE: All component dimensions given in U.S. inches.
 1 inch = 25.4 mm

JONSERED TILLER - MODEL NUMBER J208F24 (MFG. ID. NO. 96083001200)
TINE ASSEMBLY



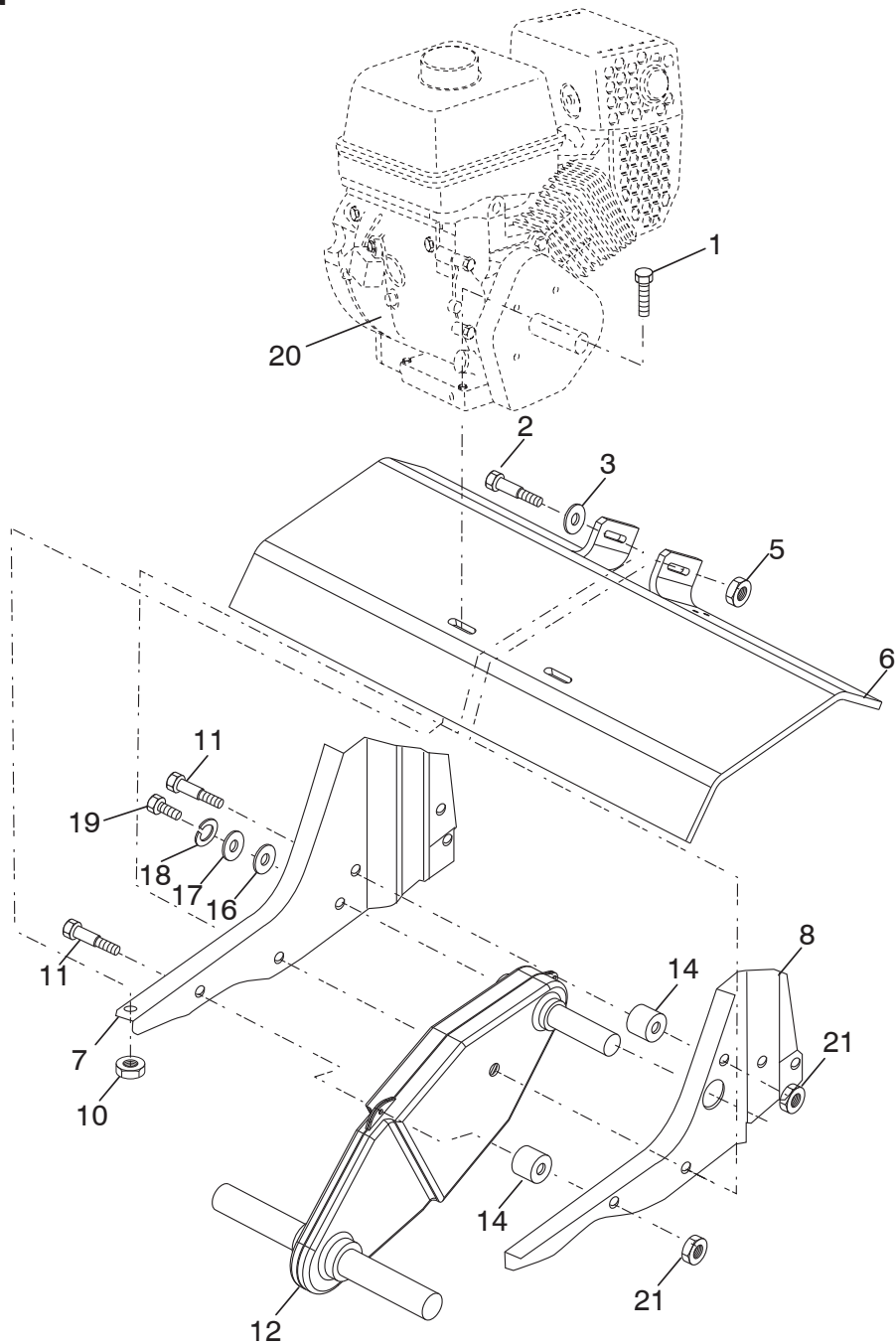
tine_ipb_3

KEY NO.	PART NO.	DESCRIPTION
1	583 85 46-02	Tine, Outer, R.H.
2	532 12 46-60	Retainer, Spring
3	583 85 44-02	Tine, Inner, R.H.
4	583 85 42-02	Tine, Inner, L.H.
5	583 85 45-02	Tine, Outer, L.H.
6	532 44 60-59	Rivet, Pan Head, Drilled, 1/4 Diameter

NOTE: All component dimensions given in U.S. inches.
 1 inch = 25.4 mm

JONSERED TILLER - MODEL NUMBER J208F24 (MFG. ID. NO. 96083001200)

TRANSMISSION



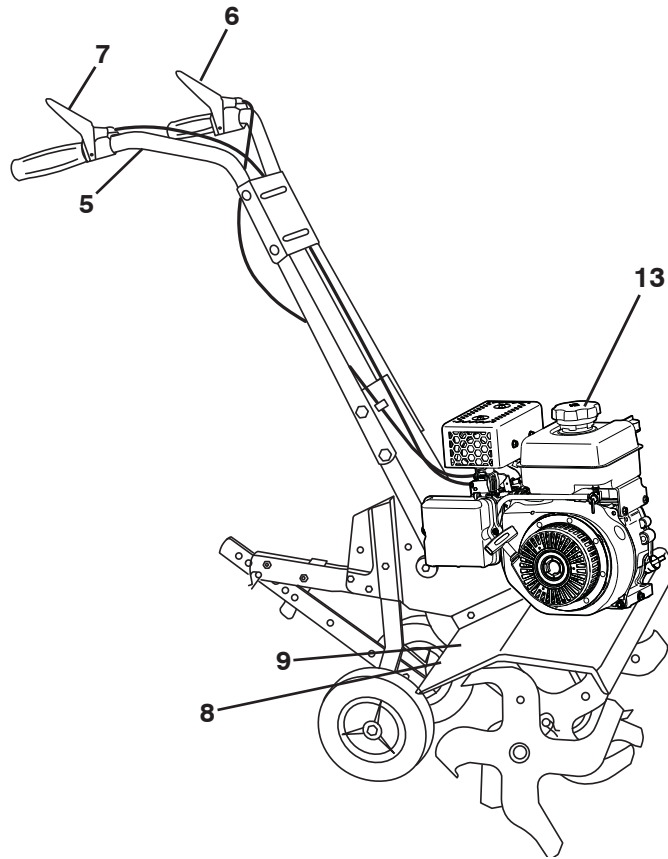
transmission_LCT_3

KEY NO.	PART NO.	DESCRIPTION
1	874 76 05-24	Bolt, Hex Head, Grade 2 5/16-18 x 1-1/2
2	874 78 06-52	Bolt, Hex Head 3/8-16 x 3-1/4
3	819 13 13-11	Washer 13/32 x 13/16 x 11
5	873 90 06-00	Locknut, Hex 3/8-16
6	580 48 19-01	Shield, Tine
7	532 44 60-06	Bracket, Engine, R.H.
8	532 44 60-03	Bracket, Engine, L.H.
10	873 97 05-00	Nut, Hex 5/16-18
11	532 18 79-12	Bolt, Hex Head 5/16-18 x 2-1/2
12	532 15 12-22	Transmission
14	532 44 65-48	Spacer, Split

KEY NO.	PART NO.	DESCRIPTION
16	819 09 14-12	Washer 9/32 x 7/8 x 12 Gauge
17	819 09 20-16	Washer 9/32 x 1-1/4 x 16 Gauge
18	810 04 04-00	Washer, Lock 1/4
19	874 61 04-12	Bolt, Hex Head, Grade 5 1/4-28 x 3/4
20	590 96 26-01	Engine, LCT, Model Number PLMHK14650124P
21	532 75 11-53	Nut, Hex 5/16-18

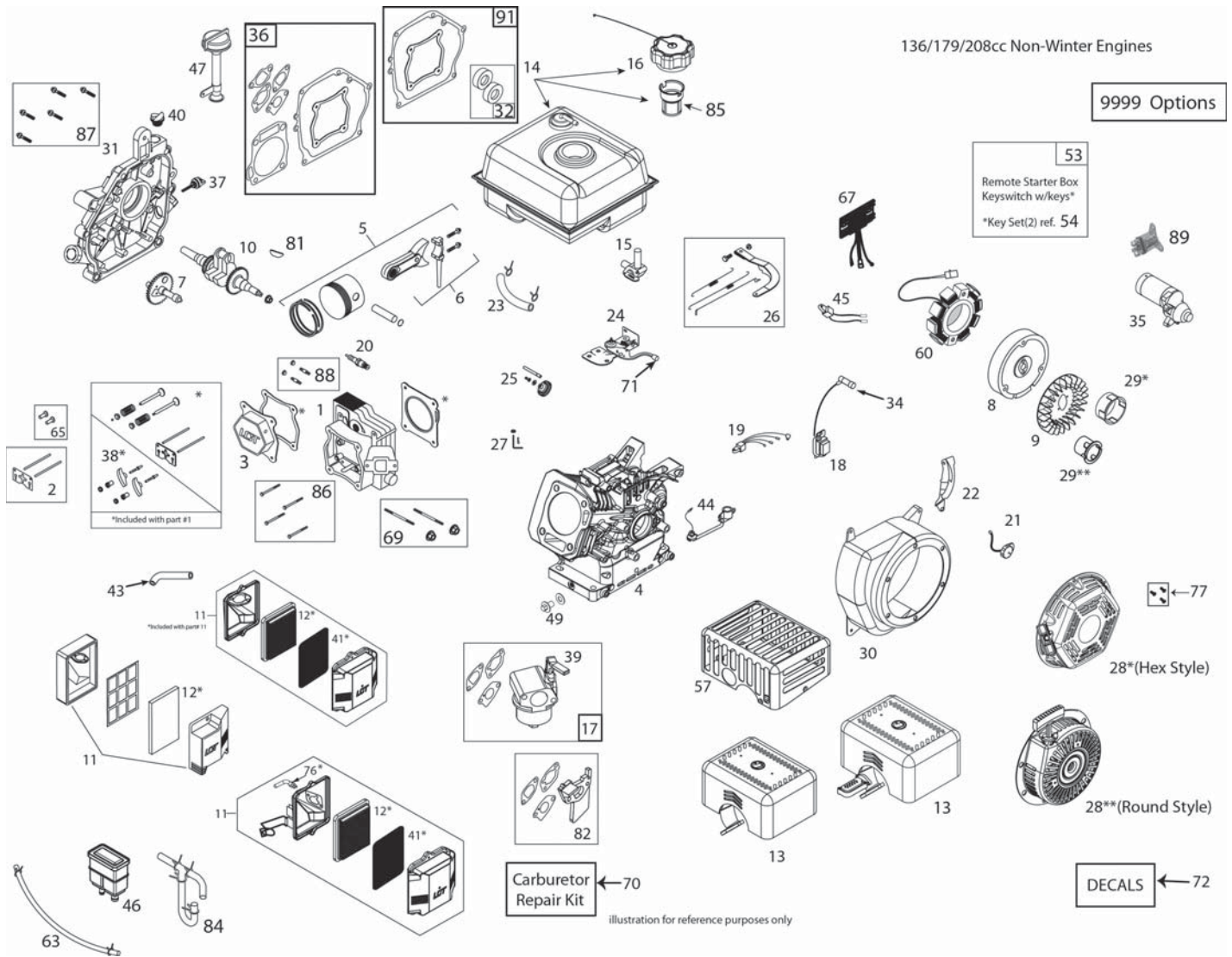
NOTE: All component dimensions given in U.S. inches.
1 inch = 25.4 mm

JONSERED TILLER - MODEL NUMBER J208F24 (MFG. ID. NO. 96083001200)
DECALS



KEY NO.	PART NO.	DESCRIPTION
5	532 11 06-14	Decal, Hand Placement
6	587 79 35-01	Decal, Control Forward
7	587 79 34-01	Decal, Control Reverse
8	532 12 00-76	Decal, Warning, Rotating Tines
9	532 42 29-72	Decal, Tine Shield
13	587 92 10-01	Decal, Warning, Ethanol (E85)
--	115 93 40-27	Manual, Operator's, English
--	115 93 40-96	Manual, Operator's, Spanish
--	115 93 40-32	Manual, Operator's, French

JONSERED FRONT TINE TILLER - MODEL NO. J208F24 (MFG. ID. NO. 96083001200)
LCT ENGINE, MODEL NUMBER PLMHK14650124P COMPLETE ENGINE: 590962601



KEY NO.	PART NO.	DESCRIPTION	KEY NO.	PART NO.	DESCRIPTION
1	532 42 05-78	CYLINDER HEAD ASSEMBLY - 208CC (INCL. GASKET) EPA III	12	532 43 27-15	AIR FILTER ELEMENT (PLEATED PAPER W/PRE-FILTER) (136/208CC)
2	532 42 05-79	PUSH ROD & PLATE KIT (208CC) (INCL. VALVE COVER GSKT)	13	532 42 05-90	MUFFLER (50-STATE SILVER LOW TEMP)(PTO-SIDE)
3	532 42 05-80	VALVE COVER (208CC) (INCL. GASKET)	14	580 35 27-01	FUEL TANK (2.7L BLACK W/ STANT CAP)
5	532 42 05-82	PISTON & ROD ASSEMBLY (208CC) EPA III	15	532 42 95-97	FUEL TANK ON/OFF VALVE (1/4-INCH OUTLET)
7	532 42 05-84	CAMSHAFT - MCR (208CC) EPA III	16	580 35 28-01	FUEL TANK CAP (STANT W/ CHAIN NON-VENTED)
8	593 10 95-01	FLYWHEEL - MANUAL START (208CC) EPA III	17	593 10 98-01	CARBURETOR L33-2 (- W/GSKTS) EPA III
9	532 42 05-86	COOLING FAN - FLYWHEEL (PLASTIC - 208CC)	18	593 10 99-01	IGNITION COIL (STOP-IN-CONTROL) EPA III
10	580 35 25-01	CRANKSHAFT (#14 KEYED 208CC SUMMER)	20	532 44 38-98	SPARK PLUG
11	593 10 97-01	AIR FILTER ASSY			

**JONSERED FRONT TINE TILLER - MODEL NO. J208F24 (MFG. ID. NO. 96083001200)
LCT ENGINE, MODEL NUMBER PLMHK14650124P COMPLETE ENGINE: 590962601**

KEY NO.	PART NO.	DESCRIPTION	KEY NO.	PART NO.	DESCRIPTION
22	593 11 00-01	SHIELD - FLYWHEEL (EPA III)	41	532 44 37-75	POLY PRE-FILTER (USE WITH 'P' AIR CLEANER) (136/208CC)
23	532 43 21-44	FUEL HOSE KIT (1/4' ID X 318MM - SS SNOW)	43	580 35 34-01	BREATHER TUBE (136/208/254CC)
24	593 11 02-01	SPEED CONTROL - MANUAL (STOP-IN-CONTROL)	47	581 00 72-01	HIGH OIL FILL TUBE & DIP STICK
25	532 42 96-46	GOVERNOR GEAR ASSEMBLY (136/208CC)	49	532 43 54-95	OIL DRAIN PLUG W/WASHER (136/208/254CC)
26	532 42 06-01	GOVERNOR ARM & LINK KIT (208CC SUMMER - 2000 IDLE RPM)	65	581 37 28-01	TAPPET KIT (208/254CC)(SET OF 2)
27	532 42 06-02	GOVERNOR ARM PADDLE	70	580 35 36-01	CARBURETOR REPAIR KIT (136/208/254CC)
28	532 43 66-73	RECOIL STARTER ASSY(ROUND STYLE-BLACK)	71	580 35 35-01	SPEED CONTROL KNOB (RED)
29	593 11 03-01	STARTER CUP (USE WITH ROUND STYLE STARTER) EPA III DEEPER CUP	72	NA	MAXX SERIES DECAL KIT
30	532 42 06-05	BLOWER HOUSING - BLACK MANUAL START WO/SWITCH HOLE (208CC) EPA III DEEPER HOUSING	77	532 43 26-88	RECOIL BOLT KIT (3 BOLTS PER KIT)
31	532 44 37-73	CRANKCASE COVER ASSY W/1 LOW OIL FILL PLUG	81	585 29 72-01	WOODRUFF FLYWHEEL KEYS (5-PACK) (5X6X18MM) (208/414CC)
32	532 42 95-99	OIL SEAL KIT (2 PCS FOR 3/4-INCH CRANKSHAFT)	82	585 02 05-03	208CC/254CC CARBURETOR SPACER KIT
34	532 42 92-46	SPARK PLUG BOOT	85	586 32 56-01	FUEL TANK STRAINER
36	532 42 96-01	ENGINE GASKET KIT (208CC)	86	586 32 73-01	CYLINDER HEAD BOLT KIT (4) (136-179-208-254CC)
38	532 42 96-91	ROCKER ARM KIT (208CC)(INCL. GASKET)	87	586 32 69-01	CC COVER BOLT KIT (6) (179-208-254CC)
39	532 44 37-74	CHOKE LEVER (PLASTIC - 208CC)	88	586 32 68-01	MUFFLER MTG STUD KIT (2)
40	532 42 95-98	NON-REMOVABLE PLASTIC PLUG (136/208/254CC)	91	587 52 57-01	CRANKSHAFT GASKET KIT 179-208CC
			9999	586 32 60-01	HIGH ALTITUDE JET (>6,000 FEET)(208CC L33 CARBURETOR)
			9999	593 11 01-01	MUFFLER MANIFOLD SHIELD