

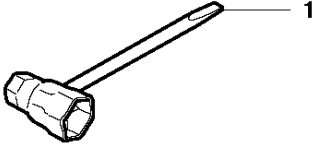


# SPARE PARTS LIST

CHAIN SAWS

CS2245 from 2011-07 -

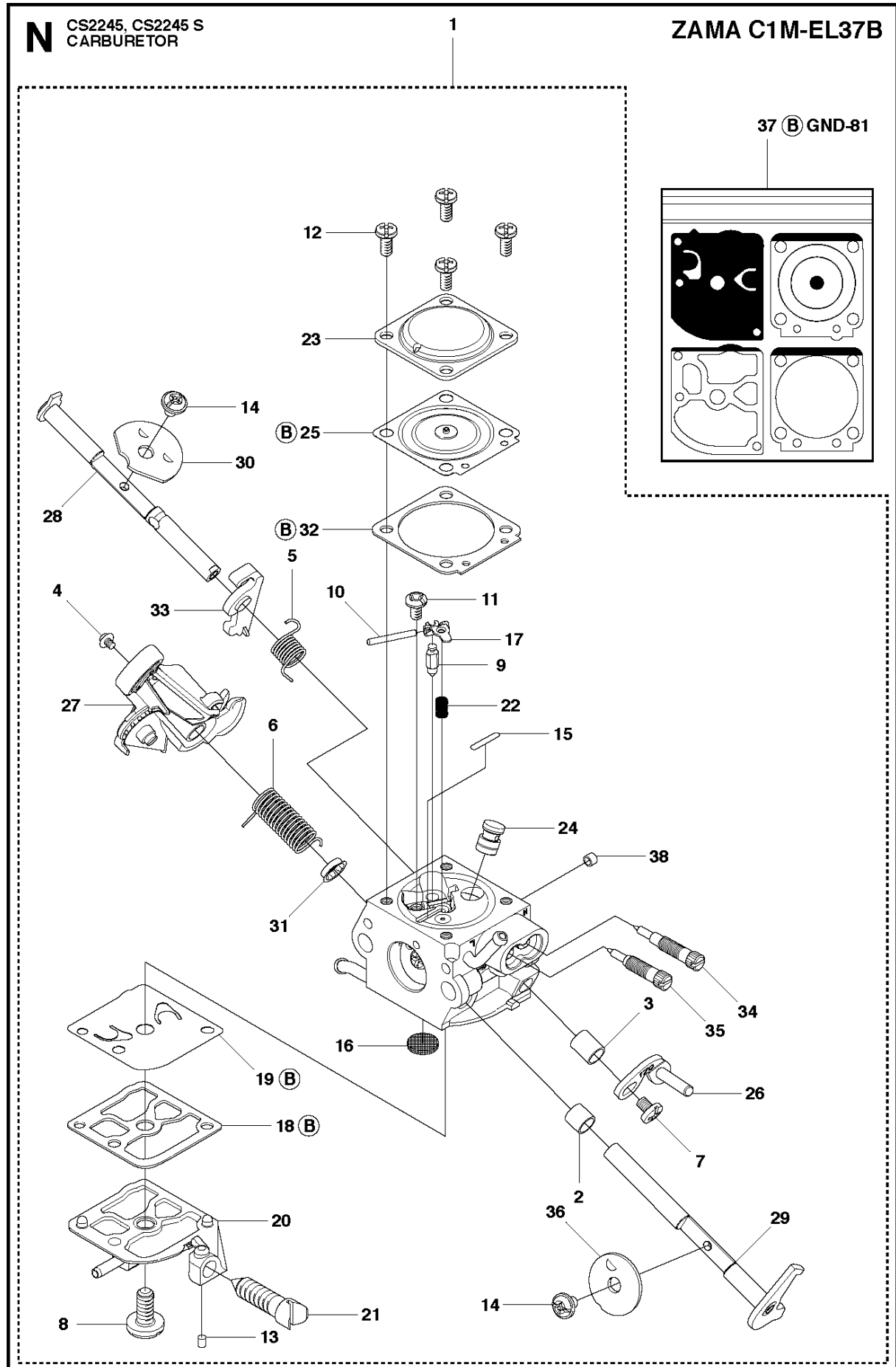
**P** CS2245, CS2245 S  
ACCESSORIES



ACCESSORIES

CS2245 from 2011-07 -

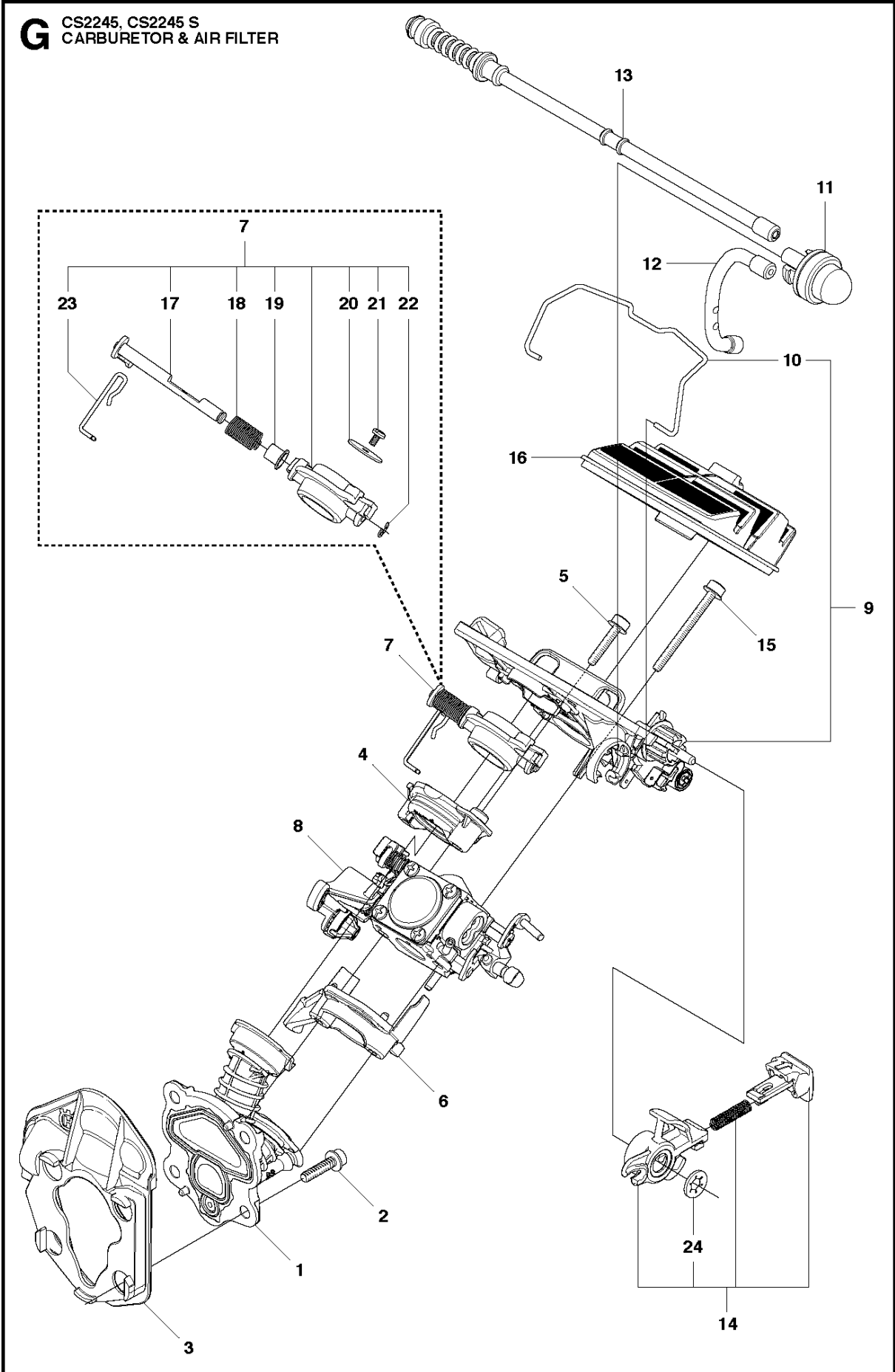
| Ref | Part No      | Description | Remark | QTY KIT |
|-----|--------------|-------------|--------|---------|
| 1   | 503 55 85-04 | TOOL        |        | 1       |



## CARBURETOR

CS2245 from 2011-07 -

| Ref | Part No      | Description         | Remark             | QTY | KIT   |
|-----|--------------|---------------------|--------------------|-----|-------|
| 1   | 506 45 04-01 | CARBURETTOR         |                    | 1   |       |
| 2   | 502 07 82-01 | COLLAR              |                    | 1   | 1     |
| 3   | 502 07 83-01 | COLLAR              |                    | 1   | 1     |
| 4   | 502 07 84-01 | SCREW               |                    | 1   | 1     |
| 5   | 502 07 86-01 | SPRING              |                    | 1   | 1     |
| 6   | 502 07 87-01 | SPRING              |                    | 1   | 1     |
| 7   | 503 47 90-01 | SCREW               |                    | 1   | 1     |
| 8   | 503 47 96-01 | SCREW               |                    | 1   | 1     |
| 9   | 503 47 97-01 | VALVE               |                    | 1   | 1     |
| 10  | 503 48 00-01 | PIN RETAINING SCREW |                    | 1   | 1     |
| 11  | 503 48 01-01 | SCREW               |                    | 1   | 1     |
| 12  | 503 48 05-01 | SCREW               |                    | 4   | 1     |
| 13  | 503 48 11-01 | PIECE               |                    | 1   | 1     |
| 14  | 503 48 18-01 | SCREW               |                    | 2   | 1     |
| 15  | 503 53 56-01 | PLUG WELCH          |                    | 2   | 1     |
| 16  | 503 53 57-01 | STRAINER            |                    | 1   | 1     |
| 17  | 503 66 59-01 | LEVER               |                    | 1   | 1     |
| 18  | 537 02 01-01 | GASKET              |                    | 1   | 1, 37 |
| 19  | 537 38 31-01 | DIAPHRAGM PUMP      |                    | 1   | 1, 37 |
| 20  | 502 07 89-01 | COVER               |                    | 1   | 1     |
| 21  | 537 38 33-01 | SCREW               |                    | 1   | 1     |
| 22  | 537 38 34-01 | SPRING              |                    | 1   | 1     |
| 23  | 537 38 37-01 | COVER               |                    | 1   | 1     |
| 24  | 544 23 77-01 | NOZZLE ASSY         |                    | 1   | 1     |
| 25  | 502 07 90-01 | DIAPHRAGM           |                    | 1   | 1, 37 |
| 26  | 502 07 91-01 | LEVER               |                    | 1   | 1     |
| 27  | 505 10 17-01 | LEVER               |                    | 1   | 1     |
| 28  | 502 07 94-01 | SHAFT ASSY          |                    | 1   | 1     |
| 29  | 502 07 95-01 | SHAFT ASSY          |                    | 1   | 1     |
| 30  | 502 24 77-01 | VALVE               |                    | 1   | 1     |
| 31  | 502 07 98-01 | COLLAR              |                    | 1   | 1     |
| 32  | 537 38 36-01 | GASKET              |                    | 1   | 1, 37 |
| 33  | 502 08 17-01 | LEVER               |                    | 1   | 1     |
| 34  | 502 07 99-01 | SCREW               |                    | 1   | 1     |
| 35  | 502 08 00-01 | SCREW               |                    | 1   | 1     |
| 36  | 502 08 01-01 | VALVE               |                    | 1   | 1     |
| 37  | 502 08 02-01 | GASKET KIT          | B = Set of Gaskets | 1   |       |
| 38  | 544 11 95-01 | PLUG                |                    | 1   | 1     |

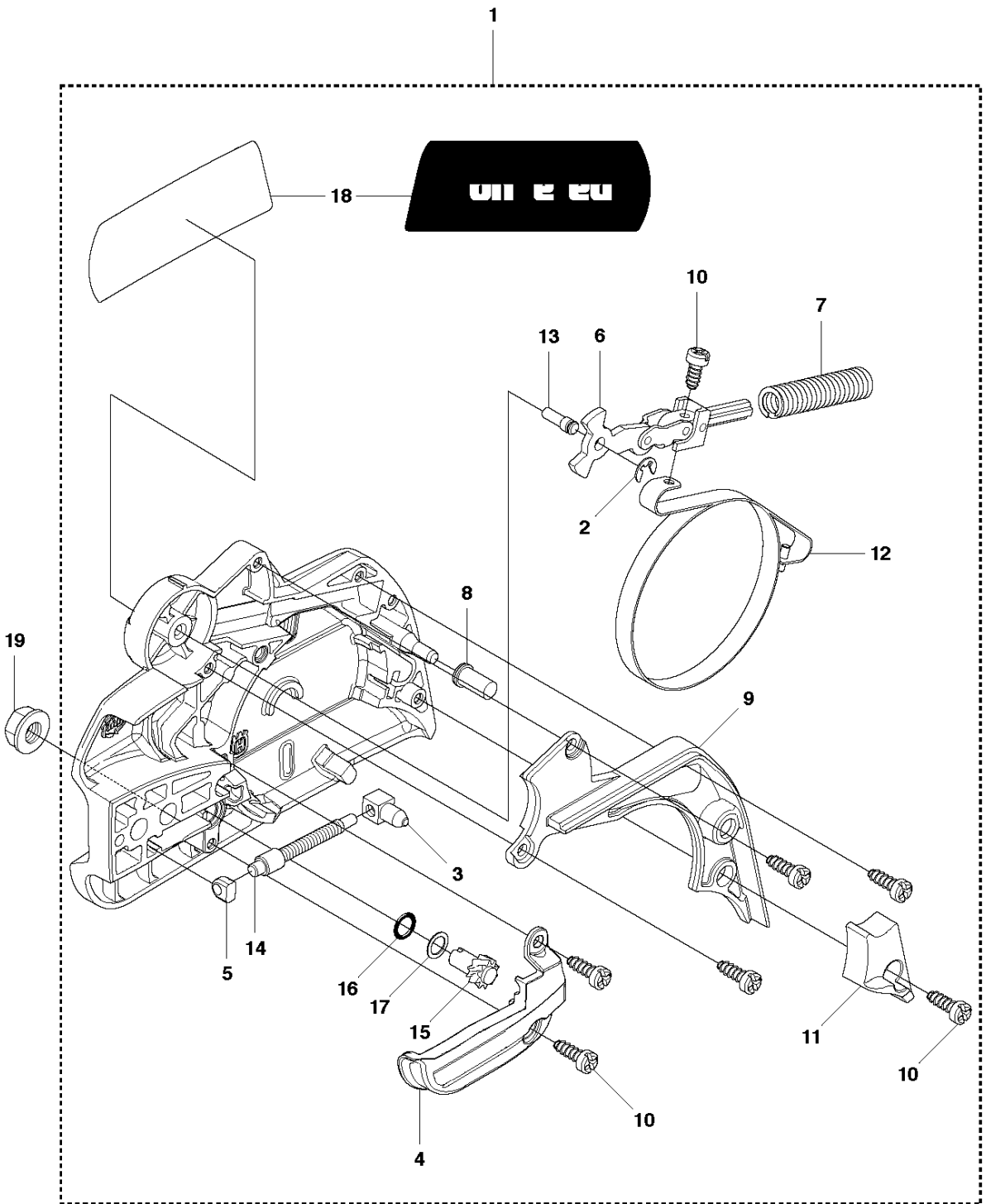


## CARBURETOR &amp; AIR FILTER

CS2245 from 2011-07 -

| Ref | Part No      | Description      | Remark    | QTY | KIT |
|-----|--------------|------------------|-----------|-----|-----|
| 1   | 544 08 23-01 | PIPE ASSY        |           | 1   |     |
| 2   | 503 20 02-16 | SCREW IHSCFM     |           | 4   |     |
| 3   | 544 08 38-01 | INTERMEDATE WALL |           | 1   |     |
| 4   | 544 08 40-01 | FLANGE           |           | 1   |     |
| 5   | 503 21 07-25 | SCREW IHSCFT     |           | 2   |     |
| 6   | 544 08 41-01 | FLANGE           |           | 1   |     |
| 7   | 544 14 82-01 | THROTTLE         |           | 1   |     |
| 8   | 506 45 04-01 | CARBURETTOR      | C1M-EL37B | 1   |     |
| 9   | 504 00 34-01 | FILTER HOLDER    |           | 1   |     |
| 10  | 544 23 14-01 | SHACKLE          |           | 1   | 9   |
| 11  | 503 93 66-01 | PURGE            |           | 1   |     |
| 12  | 544 40 19-01 | HOSE             |           | 1   |     |
| 13  | 544 12 97-01 | RETURN HOSE      |           | 1   |     |
| 14  | 544 35 99-02 | CONTROL          |           | 1   |     |
| 15  | 503 21 07-50 | SCREW IHSCFT     |           | 2   |     |
| 16  | 544 08 08-01 | AIR FILTER       | LS PA 80  | 1   |     |
| 16  | 544 08 08-02 | AIR FILTER       | LS PA 44  | 1   |     |
| 16  | 544 08 08-03 | AIR FILTER       | Felt      | 1   |     |
| 17  | 502 08 10-01 | SHAFT ASSY       |           | 1   | 7   |
| 18  | 502 08 11-01 | SPRING           |           | 1   | 7   |
| 19  | 502 08 08-01 | COLLAR           |           | 1   | 7   |
| 20  | 502 08 12-01 | VALVE            |           | 1   | 7   |
| 21  | 503 48 18-01 | SCREW            |           | 1   | 7   |
| 22  | 537 38 52-01 | CLIP             |           | 1   | 7   |
| 23  | 502 08 09-01 | ROD              |           | 1   | 7   |
| 24  | 735 58 30-00 | WASHER           |           | 1   | 14  |

**A2** CS2245  
CHAIN BRAKE & CLUTCH COVER



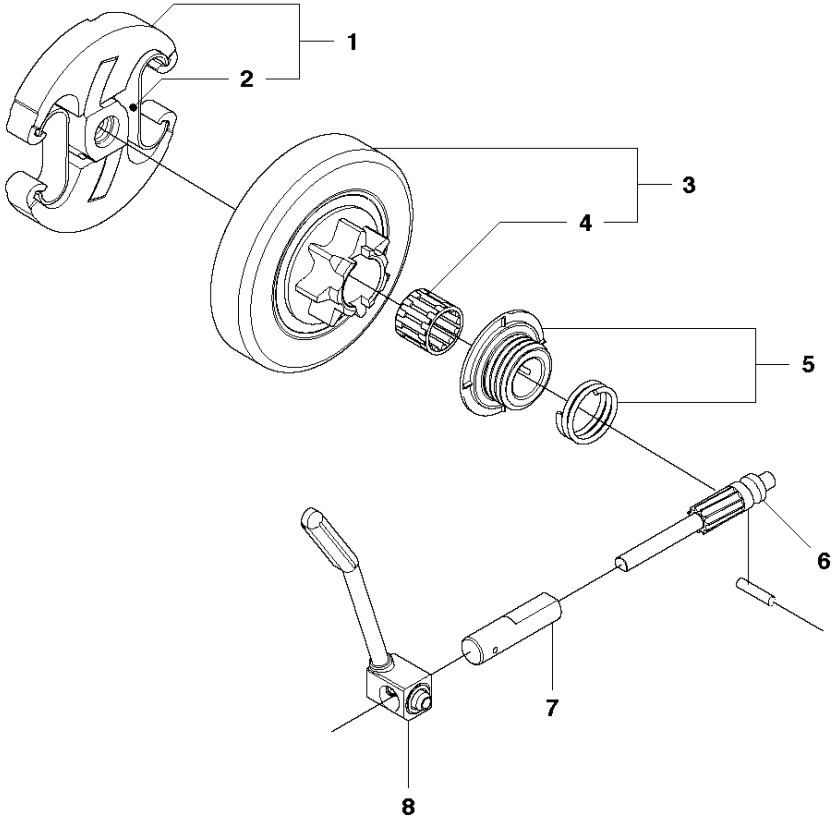


## CHAIN BRAKE &amp; CLUTCH COVER

CS2245 from 2011-07 -

| Ref | Part No      | Description       | Remark | QTY | KIT |
|-----|--------------|-------------------|--------|-----|-----|
| 1   | 544 09 79-03 | CLUTCH COVER ASSY |        | 1   |     |
| 2   | 735 31 08-20 | E-CLIP            |        | 1   | 1   |
| 3   | 537 28 66-01 | PAWL              |        | 1   | 1   |
| 4   | 540 06 33-01 | CHAIN GUIDE       |        | 1   | 1   |
| 5   | 537 01 74-01 | BEARING SLEEVE    |        | 1   | 1   |
| 6   | 503 89 08-02 | KNEE JOINT ASSY   |        | 1   | 1   |
| 7   | 503 46 59-01 | BRAKE SPRING      |        | 1   | 1   |
| 8   | 503 85 52-01 | GUIDE BUSHING     |        | 1   | 1   |
| 9   | 544 08 29-01 | COVER LID         |        | 1   | 1   |
| 10  | 503 21 70-10 | SCREW CCRPANT     |        | 7   | 1   |
| 11  | 544 08 30-01 | WEAR PROTECTION   |        | 1   | 1   |
| 12  | 537 04 30-01 | BRAKE BAND ASSY   |        | 1   | 1   |
| 13  | 503 89 29-01 | PIN KNEE-JOINT    |        | 1   | 1   |
| 14  | 537 39 70-01 | WORM SCREW        |        | 1   | 1   |
| 15  | 537 07 94-02 | WORM WHEEL        |        | 1   | 1   |
| 16  | 740 48 07-02 | O-RING            |        | 1   | 1   |
| 17  | 503 23 00-63 | WASHER            |        | 1   | 1   |
| 18  | 544 37 68-02 | LABEL             |        | 1   | 1   |
| 19  | 503 22 00-01 | HEXAGON NUT       |        | 1   |     |

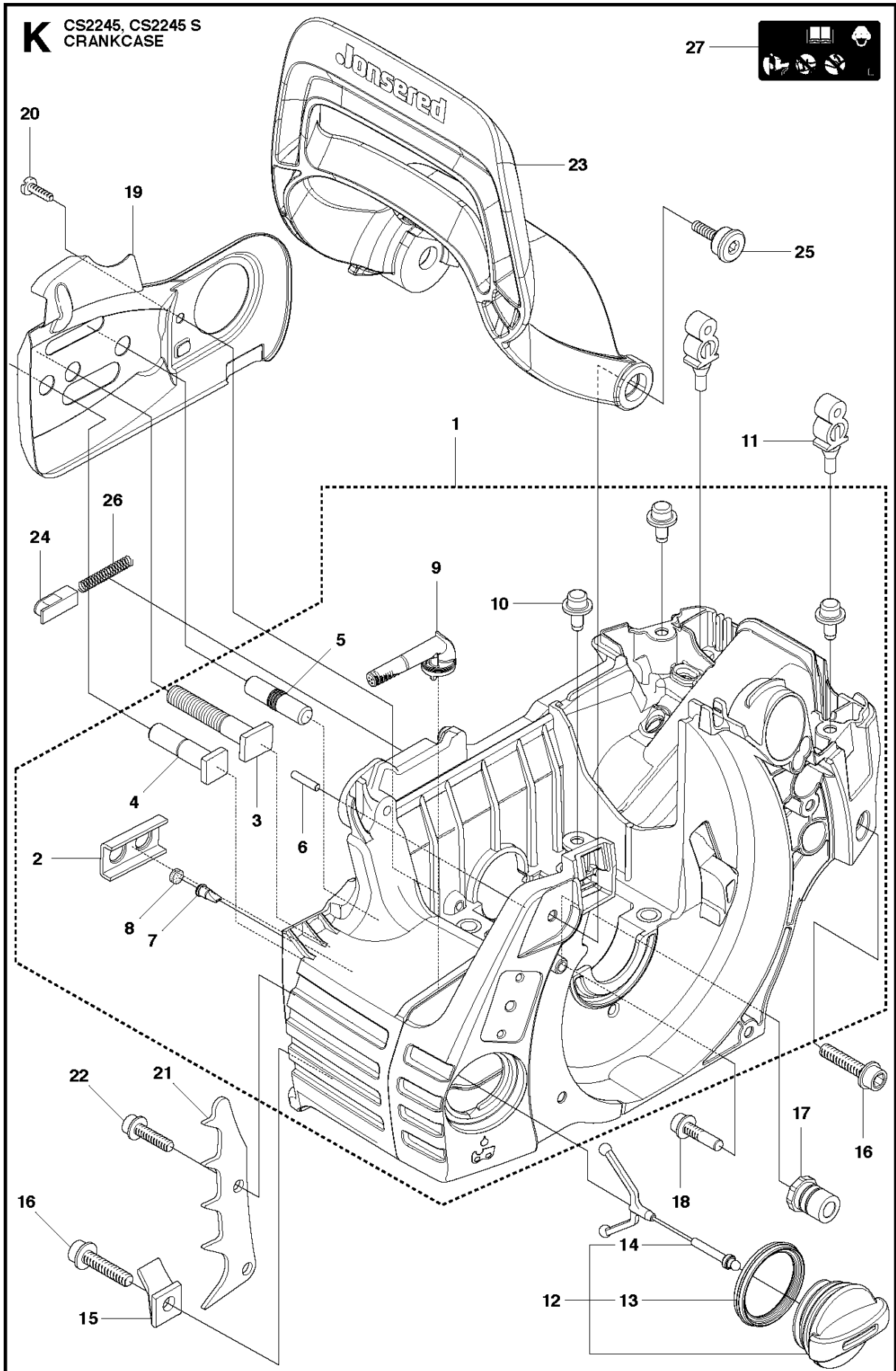
**B** CS2245, CS2245 S  
CLUTCH & OIL PUMP



## CLUTCH &amp; OIL PUMP

CS2245 from 2011-07 -

| Ref | Part No      | Description    | Remark | QTY | KIT |
|-----|--------------|----------------|--------|-----|-----|
| 1   | 537 11 05-03 | CLUTCH ASSY    |        | 1   |     |
| 2   | 537 35 91-01 | CLUTCH SPRING  |        | 2   | 1   |
| 3   | 578 09 79-01 | CLUTCH DRUM    |        | 1   |     |
| 4   | 503 25 52-01 | NEEDLE BEARING |        | 1   | 3   |
| 5   | 503 93 18-01 | PUMP PINION    |        | 1   |     |
| 6   | 540 05 79-01 | PUMP PISTON    |        | 1   |     |
| 7   | 537 15 48-01 | PUMP CYLINDER  |        | 1   |     |
| 8   | 544 08 42-01 | OIL HOSE       |        | 1   |     |

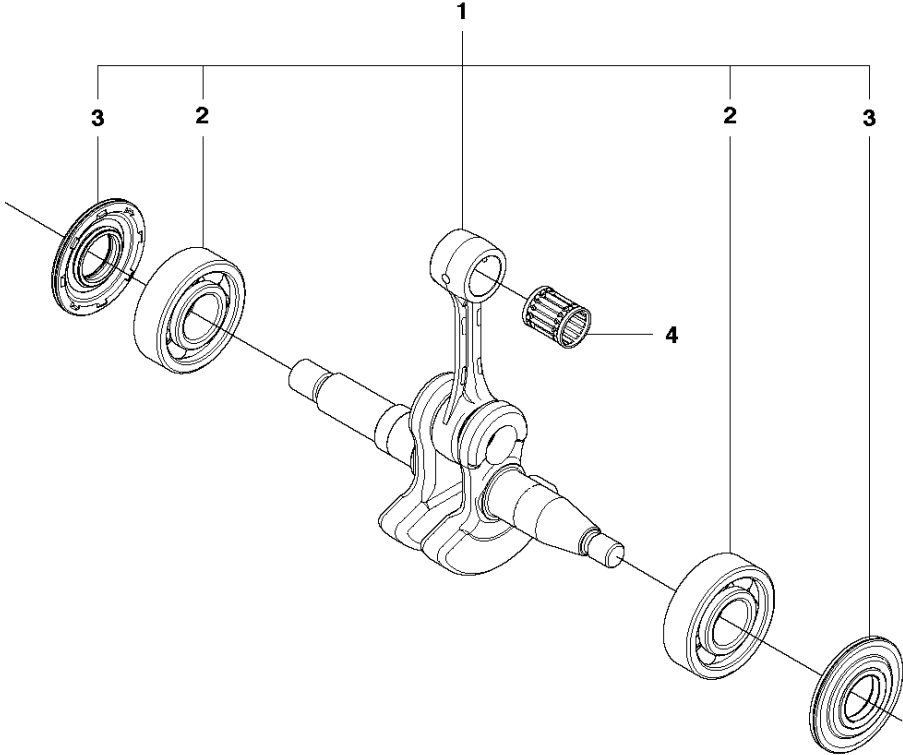


## CRANKCASE

CS2245 from 2011-07 -

| Ref | Part No      | Description       | Remark | QTY | KIT |
|-----|--------------|-------------------|--------|-----|-----|
| 1   | 537 43 82-03 | CRANKCASE         |        | 1   |     |
| 2   | 503 87 58-02 | STIFFENING PLATE  |        | 1   | 1   |
| 3   | 503 87 54-02 | BAR BOLT          |        | 1   | 1   |
| 4   | 537 33 46-01 | BAR BOLT          |        | 1   | 1   |
| 5   | 544 03 64-01 | BAR BOLT          |        | 1   | 1   |
| 6   | 503 24 09-05 | NEEDLE ROLLER     |        | 1   | 1   |
| 7   | 530 02 61-19 | CHECK VALVE       |        | 1   | 1   |
| 8   | 537 40 35-01 | FILTER            |        | 1   | 1   |
| 9   | 544 08 33-01 | OIL SCREEN        |        | 1   | 1   |
| 10  | 544 33 16-01 | GUIDE PIN         |        | 3   | 1   |
| 11  | 503 86 93-01 | CARBURETTOR       |        | 2   |     |
| 12  | 544 11 12-02 | TANK CAP ASSY     |        | 1   |     |
| 13  | 537 21 50-01 | SEALING           |        | 1   | 12  |
| 14  | 503 57 89-01 | HOLDER            |        | 1   | 12  |
| 15  | 503 88 63-01 | PIN               |        | 1   |     |
| 16  | 503 21 88-76 | SCREW IHSCCT      |        | 2   |     |
| 17  | 501 00 76-01 | LATERAL SUPPORT   |        | 2   |     |
| 18  | 503 21 88-76 | SCREW IHSCCT      |        | 1   |     |
| 19  | 544 09 40-01 | CHAIN GUIDE PLATE |        | 1   |     |
| 20  | 503 21 70-10 | SCREW CCRPANT     |        | 1   |     |
| 21  | 503 90 59-01 | SPIKE             |        | 1   |     |
| 22  | 503 21 75-20 | SCREW IHSCFT      |        | 2   |     |
| 23  | 502 30 09-01 | HAND GUARD        |        | 1   |     |
| 24  | 503 89 24-01 | LOCK              |        | 1   |     |
| 25  | 503 89 30-01 | SCREW             |        | 2   |     |
| 26  | 503 43 65-01 | POSITION SPRING   |        | 1   |     |
| 27  | 505 55 76-01 | DECAL             |        | 1   |     |

**J** CS2245, CS2245 S  
CRANKSHAFT

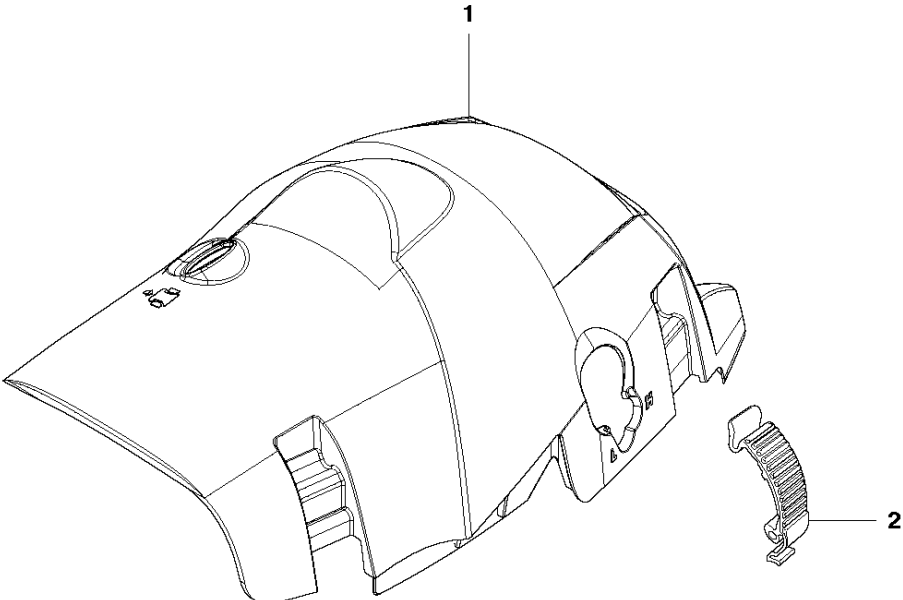


CRANKSHAFT

CS2245 from 2011-07 -

| Ref | Part No      | Description     | Remark | QTY | KIT |
|-----|--------------|-----------------|--------|-----|-----|
| 1   | 525 60 50-01 | CRANKSHAFT ASSY |        | 1   |     |
| 2   | 544 06 20-01 | BEARING         |        | 2   | 1   |
| 3   | 544 01 38-01 | SEALING         |        | 2   | 1   |
| 4   | 503 25 63-01 | NEEDLE BEARING  |        | 1   |     |

**C** CS2245, CS2245 S  
CYLINDER COVER



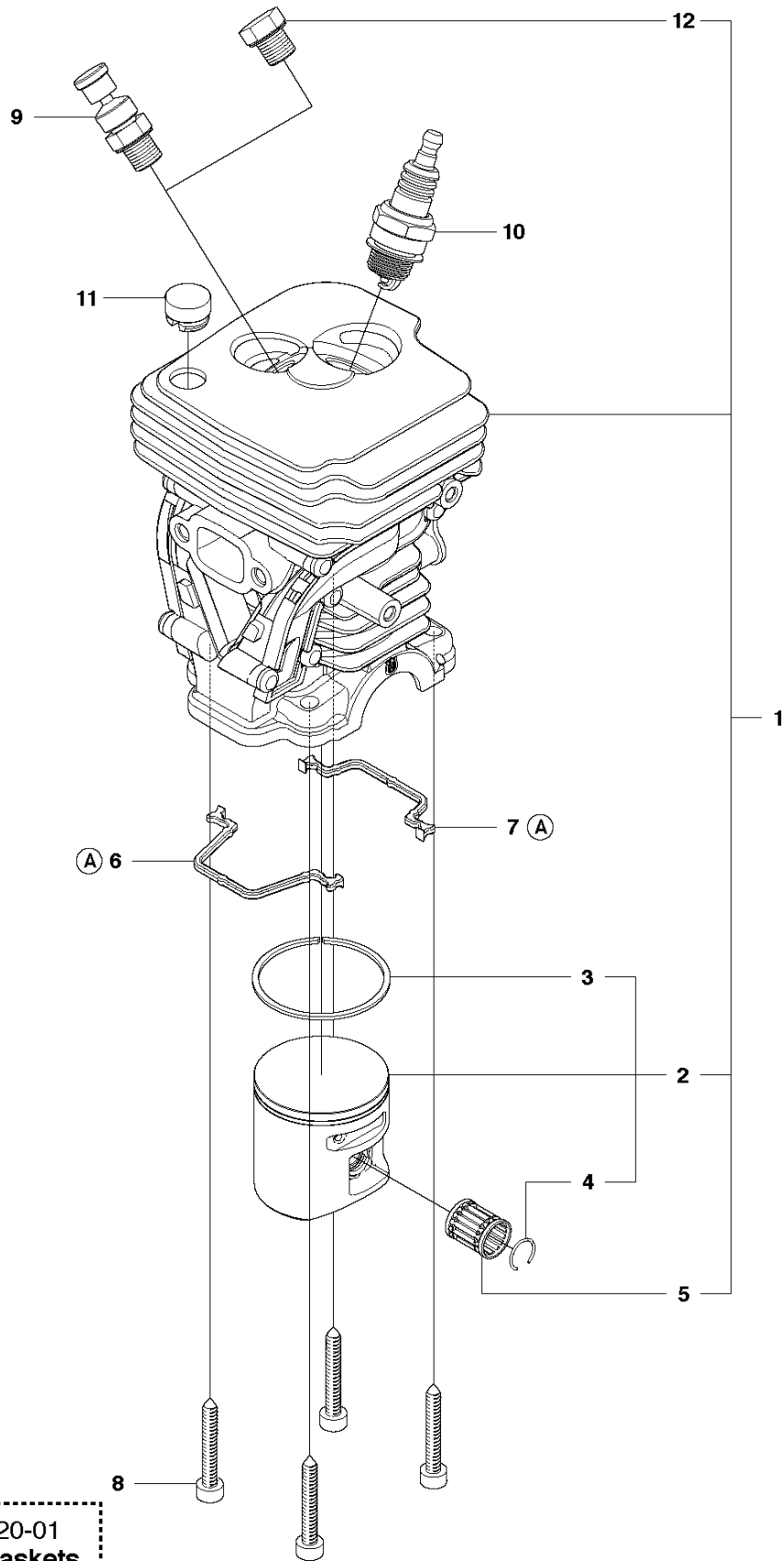


## CYLINDER COVER

CS2245 from 2011-07 -

| Ref | Part No      | Description    | Remark | QTY KIT |
|-----|--------------|----------------|--------|---------|
| 1   | 502 30 03-01 | CYLINDER COVER |        | 1       |
| 2   | 503 89 47-02 | SNÄPPE         |        | 3       |

**H** CS2245, CS2245 S  
CYLINDER PISTON

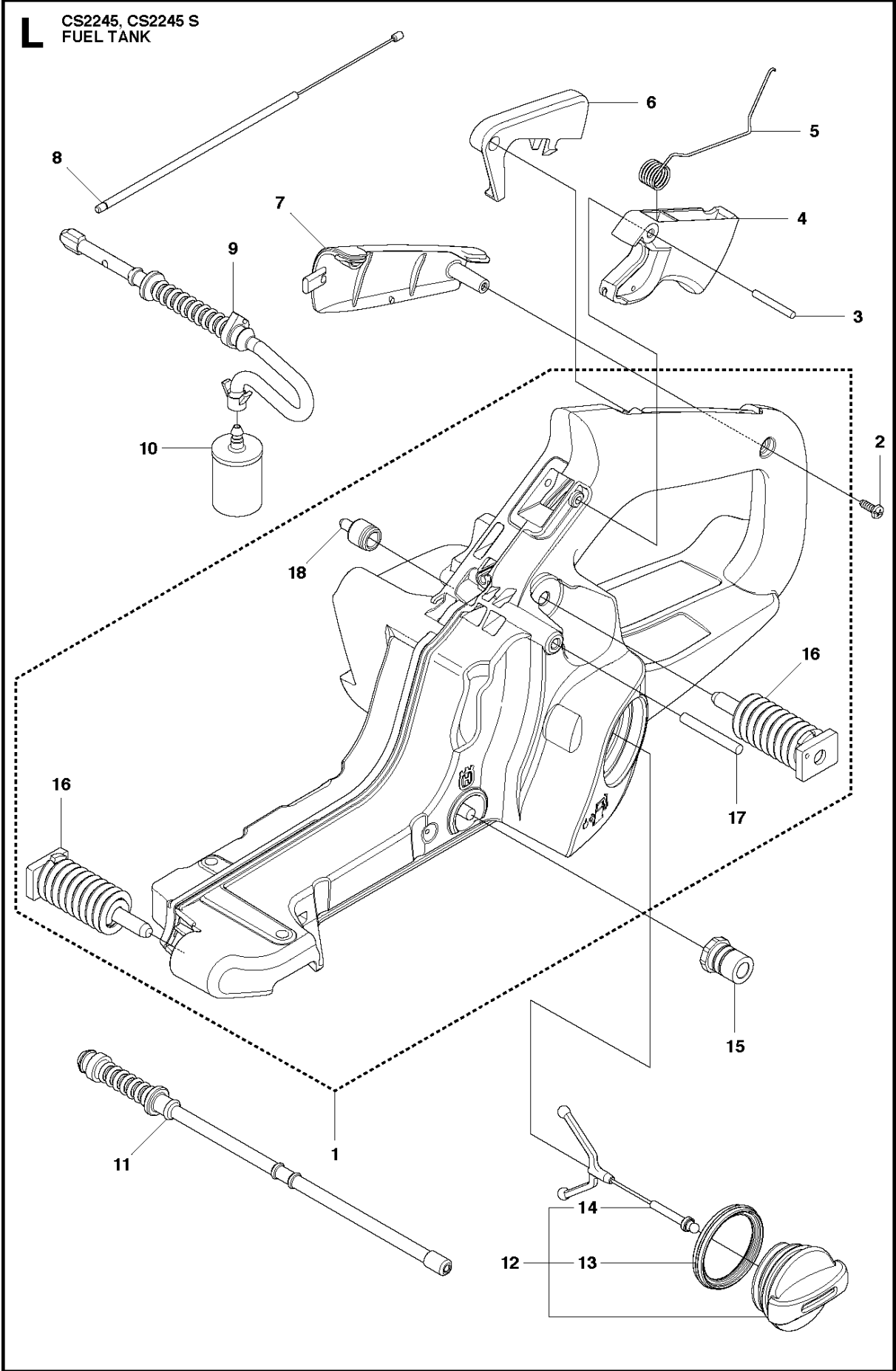


**(A)** 544 97 20-01  
Set of gaskets

## CYLINDER PISTON

CS2245 from 2011-07 -

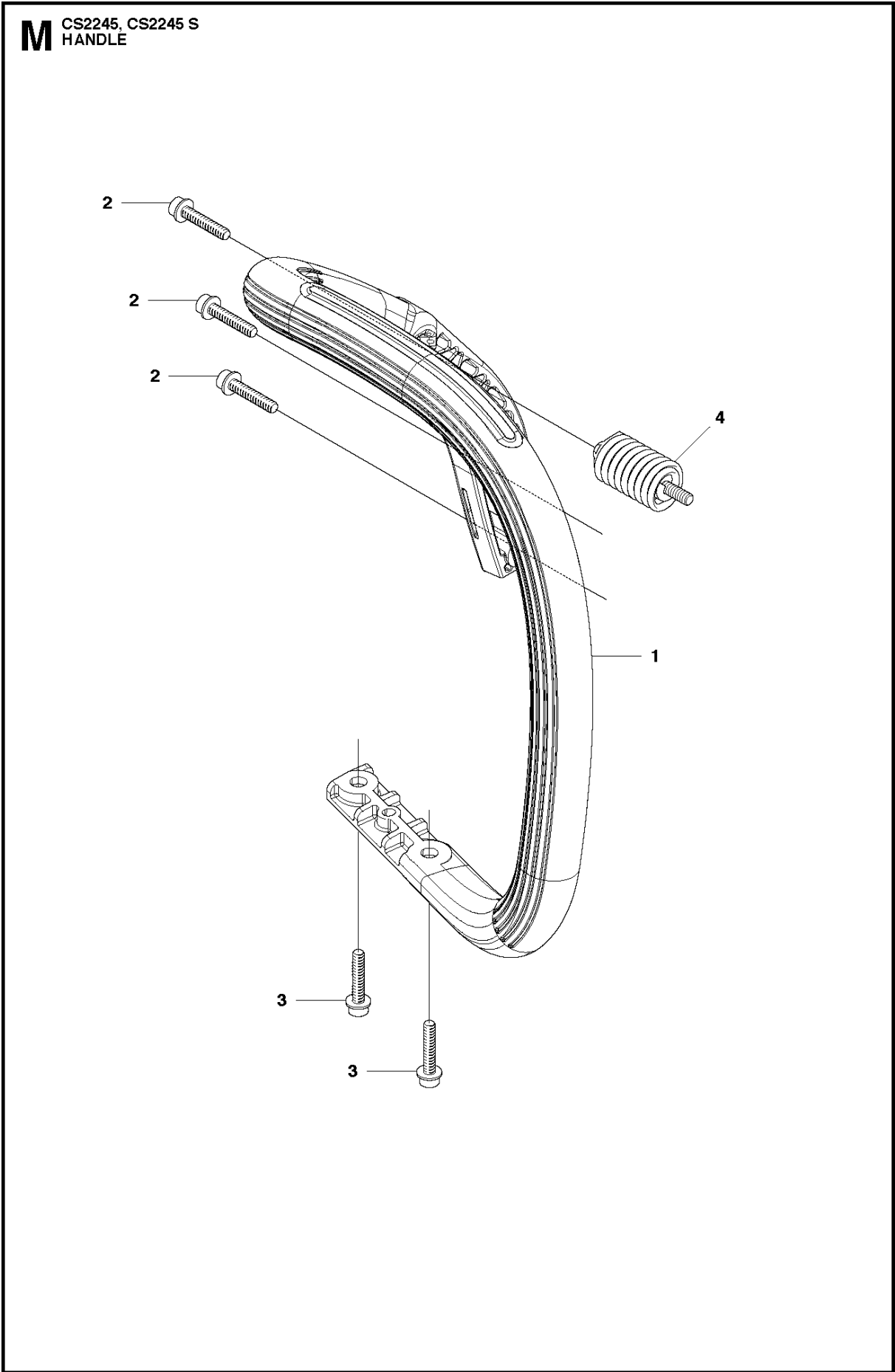
| Ref | Part No      | Description         | Remark         | QTY | KIT  |
|-----|--------------|---------------------|----------------|-----|------|
| 1   | 544 11 99-02 | CYLINDER            |                | 1   |      |
| 2   | 544 08 84-03 | PISTON ASSY         |                | 1   | 1    |
| 3   | 537 40 11-01 | PISTON RING         |                | 1   | 1, 2 |
| 4   | 544 21 13-01 | CIRCLIP             |                | 1   | 1, 2 |
| 5   | 503 25 63-01 | NEEDLE BEARING      |                | 1   | 1    |
| 6   | 544 10 87-01 | GASKET              |                | 1   | 13   |
| 7   | 544 10 92-01 | GASKET              |                | 1   | 13   |
| 8   | 503 20 05-27 | SCREW IHSCM         |                | 4   |      |
| 9   | 544 87 07-01 | DECOMPRESSION VALVE |                | 1   |      |
| 10  | 577 48 40-01 | SPARK PLUG          | HQT-1          | 1   |      |
| 11  | 540 05 73-01 | SUPPORT             |                | 1   |      |
| 12  | 503 55 22-01 | PLUG                |                | 1   | 1    |
| 13  | 544 97 20-01 | GASKET KIT          | Set of Gaskets | 1   |      |



## FUEL TANK

CS2245 from 2011-07 -

| Ref | Part No      | Description           | Remark | QTY KIT |
|-----|--------------|-----------------------|--------|---------|
| 1   | 525 86 21-02 | FUEL TANK ASSY        |        | 1       |
| 2   | 503 21 28-10 | SCREW CCRPANT         |        | 1       |
| 3   | 720 18 25-20 | PARALLEL PIN          |        | 1       |
| 4   | 544 09 97-02 | THROTTLE TRIGGER      |        | 1       |
| 5   | 544 09 99-01 | SPRING                |        | 1       |
| 6   | 544 09 98-02 | THROTTLE LOCKOUT      |        | 1       |
| 7   | 504 12 22-02 | HANDLE INSERT         |        | 1       |
| 8   | 504 09 88-01 | THROTTLE CABLE ASSY   |        | 1       |
| 9   | 523 05 52-01 | FUEL HOSE             |        | 1       |
| 10  | 503 44 32-01 | FILTER                |        | 1       |
| 11  | 544 12 97-01 | RETURN HOSE           |        | 1       |
| 12  | 544 11 12-02 | TANK CAP ASSY         |        | 1       |
| 13  | 537 21 50-01 | SEALING               |        | 1       |
| 14  | 503 57 89-01 | HOLDER                |        | 1       |
| 15  | 501 00 76-01 | LATERAL SUPPORT       |        | 1       |
| 16  | 544 10 12-01 | ANTIVIBRATION ELEMENT |        | 2       |
| 17  | 721 12 63-39 | GROOVED PIN           |        | 1       |
| 18  | 537 35 95-01 | TANK VENT ASSY        |        | 1       |

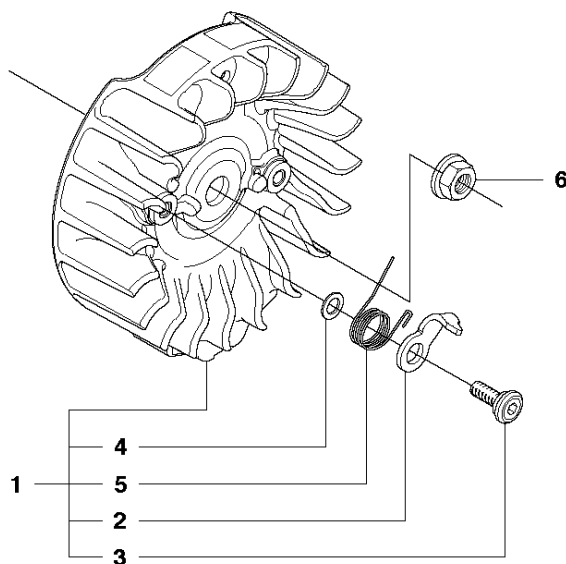
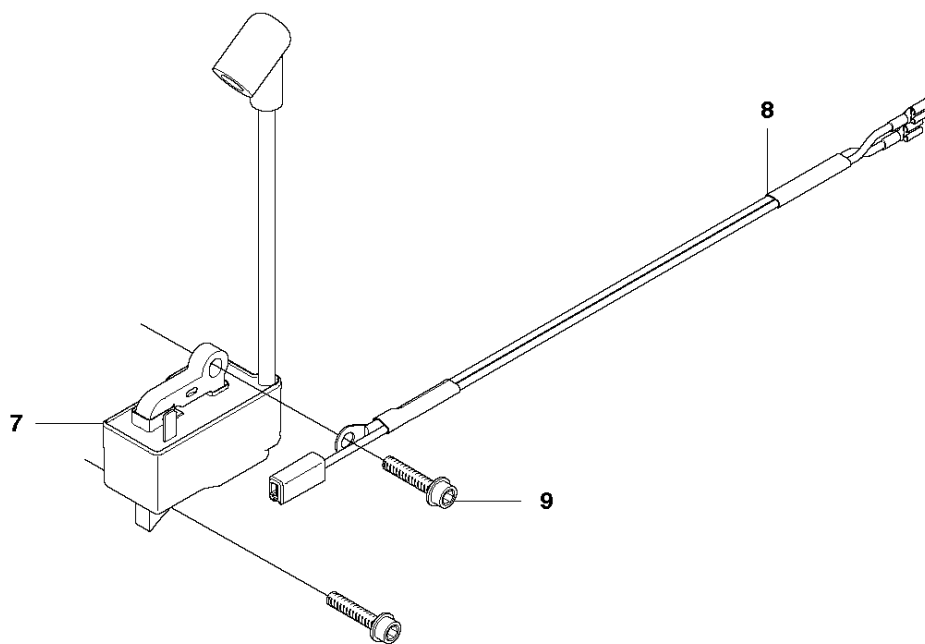


HANDLE

CS2245 from 2011-07 -

| Ref | Part No      | Description           | Remark | QTY KIT |
|-----|--------------|-----------------------|--------|---------|
| 1   | 502 30 08-01 | FRONT HANDLE          |        | 1       |
| 2   | 503 21 88-76 | SCREW IHSCT           |        | 3       |
| 3   | 503 21 02-70 | SCREW IHSCT           |        | 2       |
| 4   | 503 89 83-01 | ANTIVIBRATION ELEMENT |        | 1       |

**E** CS2245, CS2245 S  
IGNITION SYSTEM



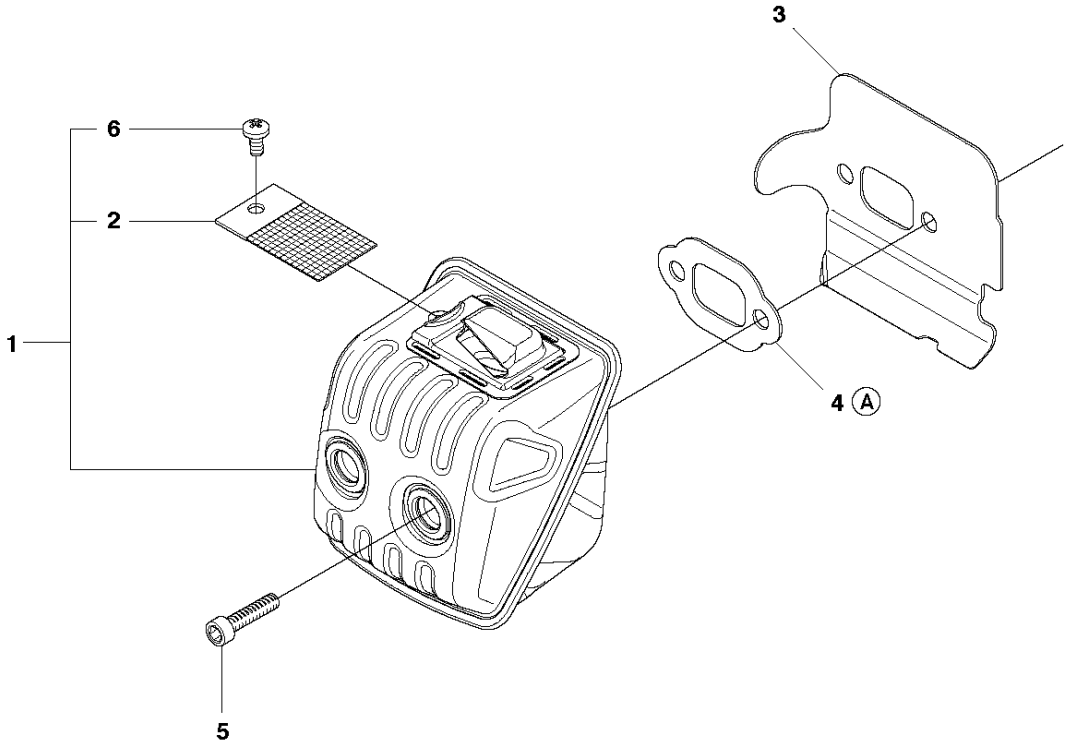


## IGNITION SYSTEM

CS2245 from 2011-07 -

| Ref | Part No      | Description     | Remark | QTY | KIT |
|-----|--------------|-----------------|--------|-----|-----|
| 1   | 544 11 18-01 | FLYWHEEL ASSY   |        | 1   |     |
| 2   | 537 24 56-01 | STARTER PAWL    |        | 2   | 1   |
| 3   | 501 81 99-03 | SCREW           |        | 2   | 1   |
| 4   | 503 23 00-42 | WASHER          |        | 2   | 1   |
| 5   | 529 27 11-01 | SPRING          |        | 2   | 1   |
| 6   | 503 22 04-01 | NUT             |        | 1   |     |
| 7   | 573 93 57-02 | IGNITION MODULE |        | 1   |     |
| 8   | 510 10 15-01 | WIRING ASSY     |        | 1   |     |
| 9   | 503 20 02-20 | SCREW IHSCFM    |        | 2   |     |

**F** CS2245, CS2245 S  
MUFFLER

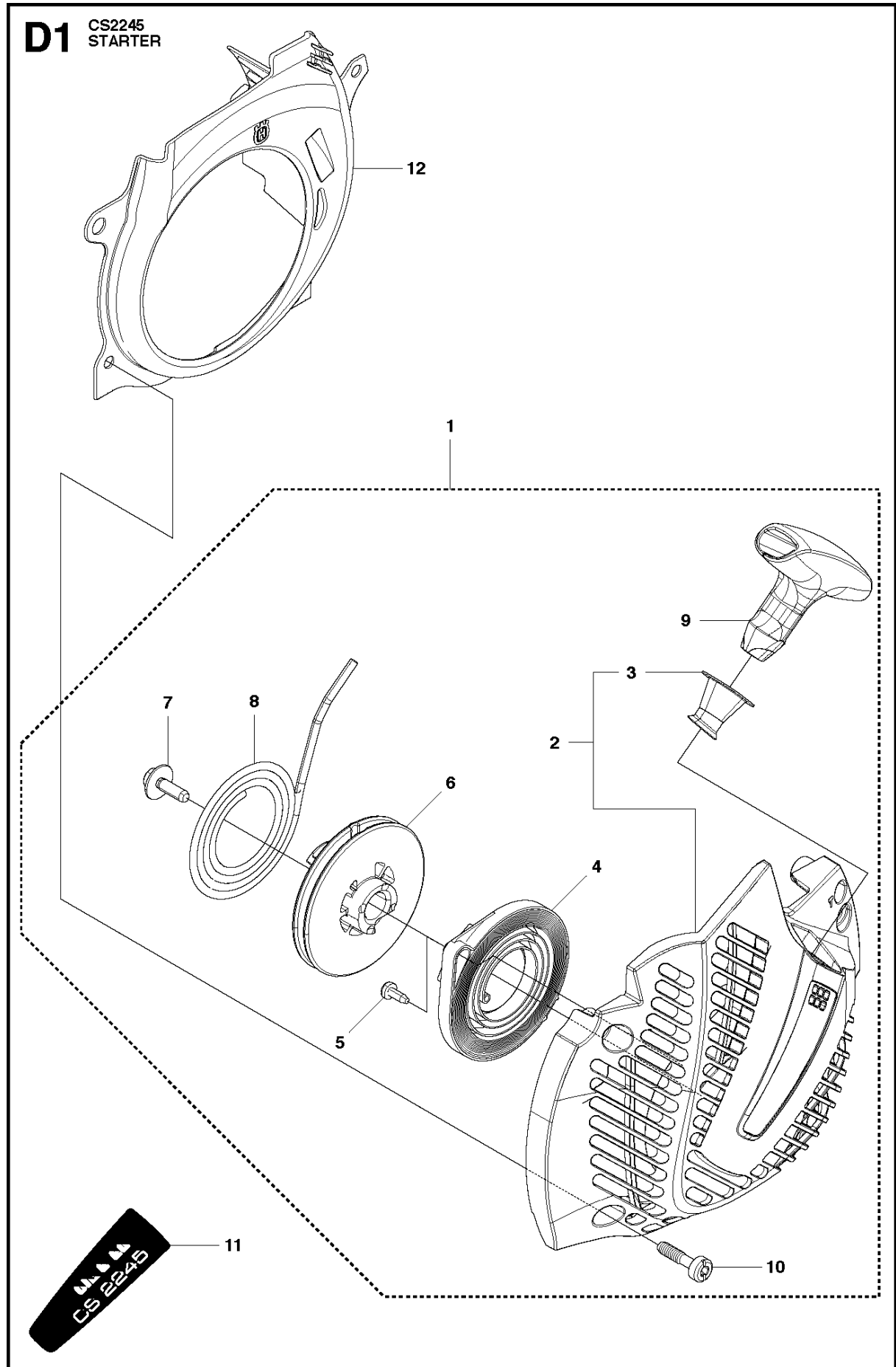


7  
Ⓐ 544 97 20-01  
Set of gaskets

## MUFFLER

CS2245 from 2011-07 -

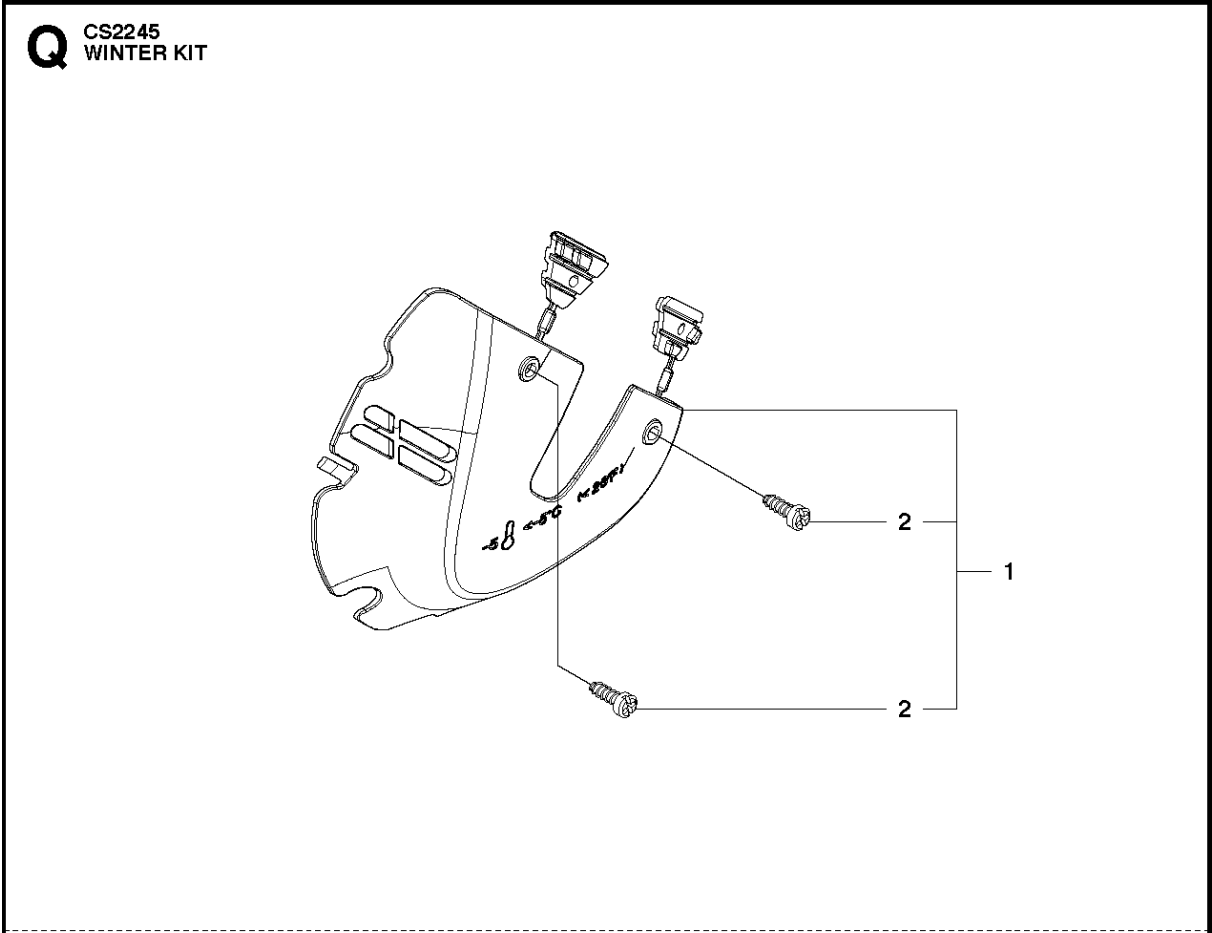
| Ref | Part No      | Description    | Remark         | QTY | KIT |
|-----|--------------|----------------|----------------|-----|-----|
| 1   | 544 14 77-02 | MUFFLER ASSY   |                | 1   |     |
| 2   | 579 75 33-01 | SCREEN         |                | 1   | 1   |
| 3   | 579 75 32-01 | HEAT DEFLECTOR |                | 1   |     |
| 4   | 579 75 31-01 | GASKET         |                | 1   | 7   |
| 5   | 725 53 68-55 | SCREW IHSCM    |                | 2   |     |
| 6   | 724 12 87-59 | SCREW CRPANM   |                | 1   | 1   |
| 7   | 544 97 20-01 | GASKET KIT     | Set of Gaskets | 1   |     |



## STARTER

CS2245 from 2011-07 -

| Ref | Part No      | Description           | Remark | QTY | KIT  |
|-----|--------------|-----------------------|--------|-----|------|
| 1   | 502 30 06-02 | STARTER ASSY          |        | 1   |      |
| 2   | 502 30 07-01 | STARTER HOUSING       |        | 1   | 1    |
| 3   | 537 28 32-01 | REINFORCEMENT SLEEVE  |        | 1   | 1, 2 |
| 4   | 540 05 75-02 | SPRING CASSETTE ASSY  |        | 1   | 1    |
| 5   | 503 21 28-10 | SCREW CCRPANT         |        | 2   | 1    |
| 6   | 537 09 25-02 | STARTER PULLEY        |        | 1   | 1    |
| 7   | 503 21 77-16 | SCREW IHSCT           |        | 1   | 1    |
| 8   | 505 30 51-25 | STARTER CORD          |        | 1   | 1    |
| 9   | 544 37 65-01 | STARTER HANDLE        |        | 1   | 1    |
| 10  | 503 21 73-21 | SCREW                 |        | 4   | 1    |
| 11  | 505 40 26-01 | LABEL                 |        | 1   |      |
| 12  | 544 08 15-01 | COOLING AIR CONDUCTER |        | 1   |      |



| Ref | Part No      | Description   | Remark | QTY | KIT |
|-----|--------------|---------------|--------|-----|-----|
| 1   | 504 83 57-01 | WINTER KIT    |        | 1   |     |
| 2   | 503 21 27-13 | SCREW CCRPANT |        | 2   | 1   |

# Illustrated Parts List - IPL Update



Product Name(s)

CS2245

Description of change

New resistor plug is implanted in production due to cost reduction.

Comments

Fully interchangeable.

Introduced from

| <b>Serial number / Date</b> | <b>Remark</b> |
|-----------------------------|---------------|
| 2017-03-23                  |               |
|                             |               |
|                             |               |

IPL updates

| <b>Page Title</b> | <b>Ref. no</b> | <b>New part no</b> | <b>Name</b> | <b>Excl. part no.</b> | <b>Remark</b>         |
|-------------------|----------------|--------------------|-------------|-----------------------|-----------------------|
| Cylinder & Piston | 10             | 577 48 40-01       | Spark plug  | 503 23 51-11          | Remain as spare part. |
|                   |                |                    |             |                       |                       |
|                   |                |                    |             |                       |                       |
|                   |                |                    |             |                       |                       |
|                   |                |                    |             |                       |                       |