

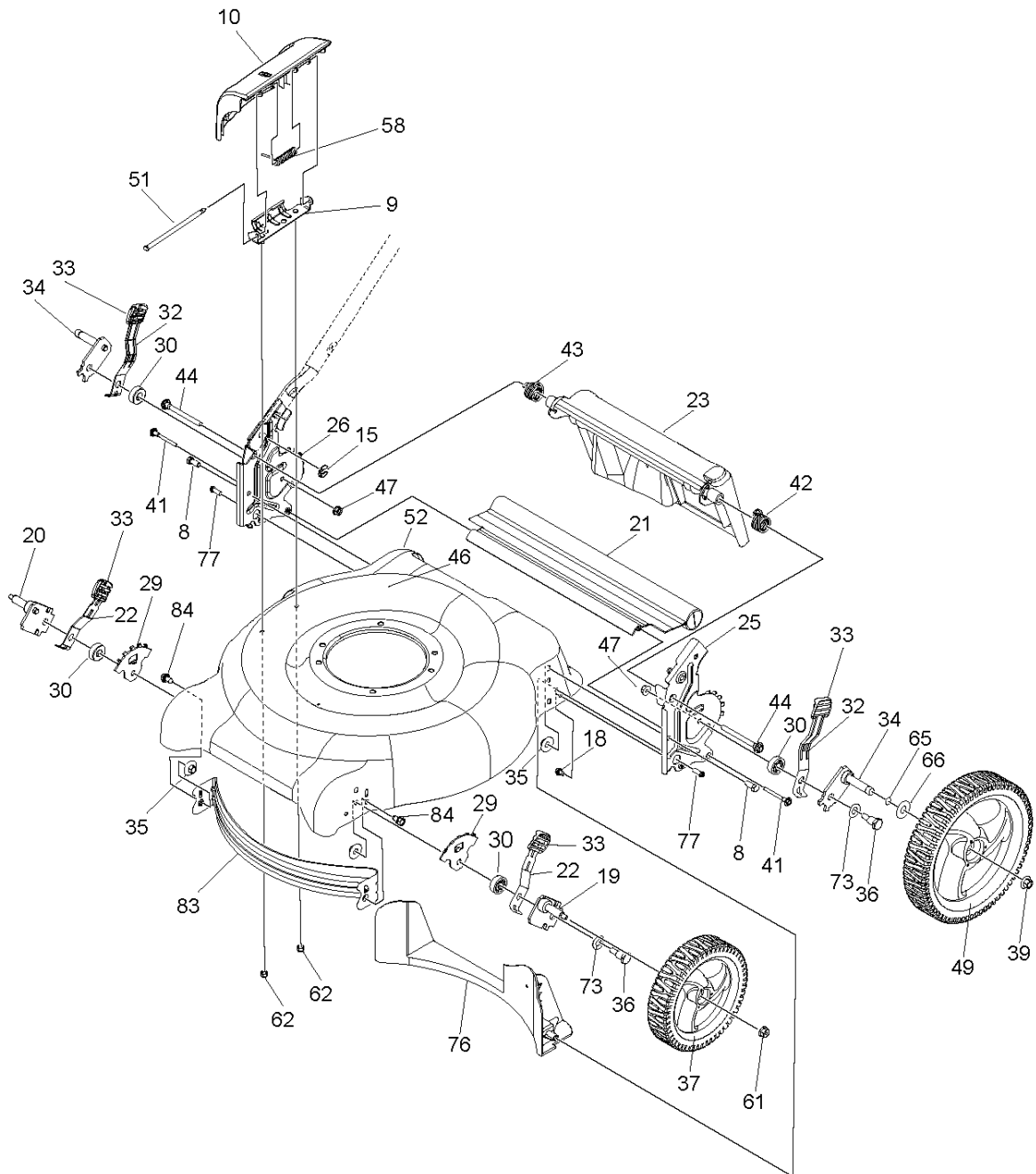


SPARE PARTS LIST

LAWN MOWERS: CONSUMER
WALK-BEHINDS

L1621i, 96133003400, 2017-12

A L1621i
DECK

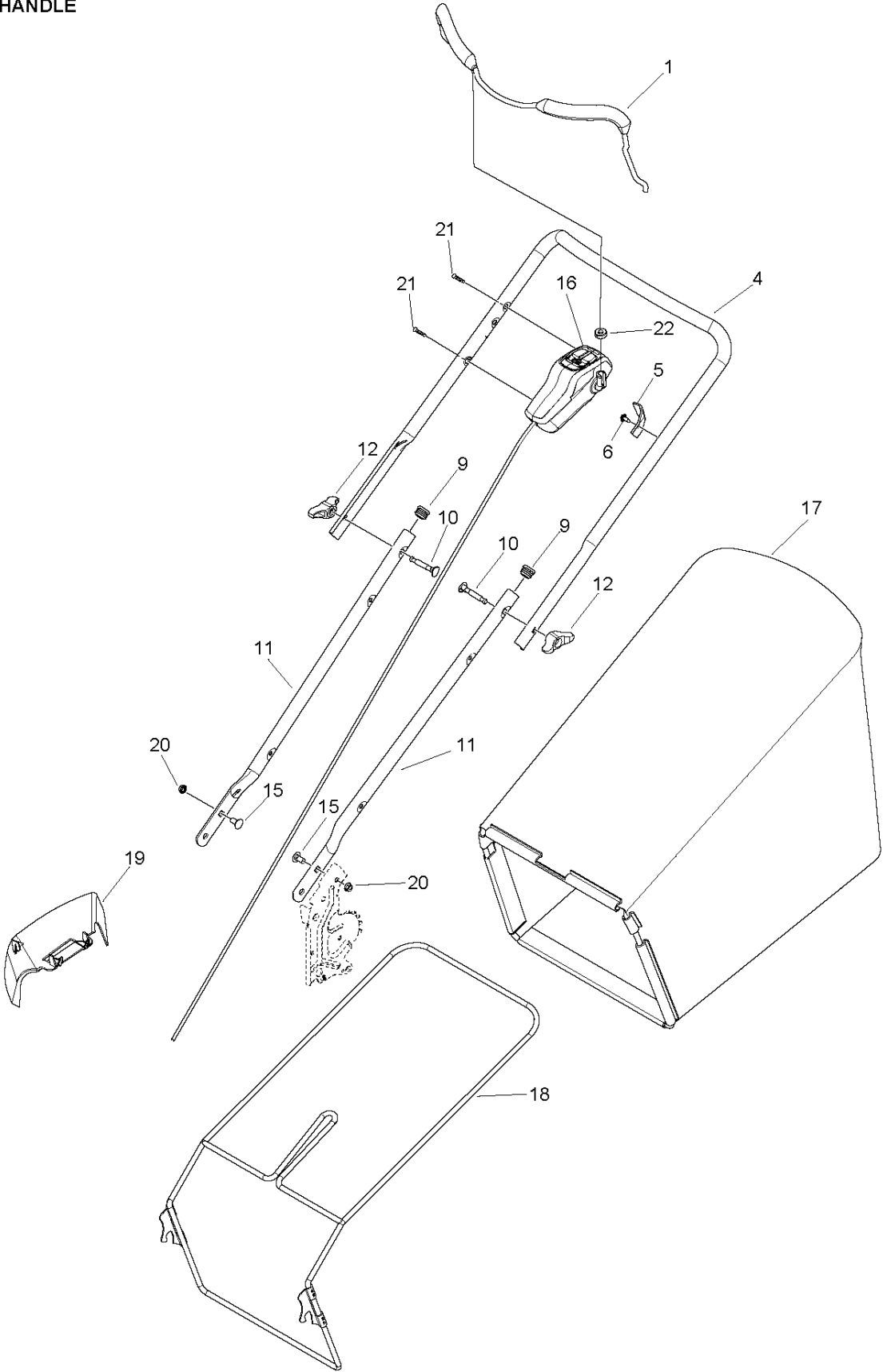


MOWER DECK / CUTTING DECK

L1621i, 96133003400, 2017-12

Ref	Part No	Description	Remark	QTY KIT
8	539 97 69-34	SCREW	5/16-18 x 3/4, Hex Head	2
9	532 15 41-32	BRACKET	Side Discharge	1
10	532 16 57-54	DOOR	Side Discharge	2
15	812 00 00-36	RETAINING RING	Ring	2
18	817 60 04-06	SCREW	1/4-20 x 3/8, Thread forming	2
19	532 40 66-89	AXLE	8in Front, LH	1
20	532 40 66-90	AXLE	8in Front, RH	1
21	590 82 61-01	GUARD	Rear, 21in Dome	1
22	532 40 64-28	SPRING	Selector, 8in Front	2
23	532 41 06-03	DEFLECTOR	Rear, 21in Dome	1
25	588 91 24-05	HANDLE SUPPORT ASSY	Single Pt, 11in Wheel, LH	1
26	588 91 24-02	HANDLE SUPPORT ASSY	Single Pt, 11in Wheel, RH	1
29	532 41 05-94	WHEEL ADJ BRACKET FRONT	Single Pt, 8in Wheel, Front	2
30	532 40 16-29	SPACER	Height Adjuster	4
15	587 43 82-01	SCREW	"Hi-Lo, 5/16-14 X 4.10"	1
32	532 44 15-59	SPRING	Selector, 11in Rear	2
33	532 70 10-37	KNOB	Height Adjuster, Ergonomic	4
34	588 91 26-02	ARM	11in Wheel	2
35	532 42 65-89	NUT	5/16-18, Top Lock, Lrg Flange	4
36	532 40 16-38	BOLT	5/16-18 x 1.3, Shoulder	4
37	583 73 38-01	WHEEL.8X1.75.CFMG2.RAD3.GY.BB1	8in, 3-Spoke Ball Bearing	2
39	532 40 91-49	NUT	3/8-16, Flange	2
41	532 19 41-86	SCREW	Skirt Mounting	2
42	532 40 54-21	SPRING	Rear Door, LH	1
43	532 40 54-23	SPRING	Rear Door, RH	1
44	581 42 56-02	DOOR	Rear Door, 21in Dome	2
46	532 18 21-66	DECAL	Danger	1
47	532 75 11-53	LOCKNUT 5/16-18 RL550HVA	5/16-18, Top Lock, Flange	2
49	588 40 50-02	WHEEL	11in, 3-Spoke Ball Bearing	2
51	532 14 72-86	ROD	Side Discharge	1
52	581 70 83-63	HOUSING ASSY	Kit (includes item #46)	1
58	532 15 21-24	SPRING	Side Discharge	1
61	532 40 91-48	NUT	3/8-16, Flange	2
62	873 80 04-00	NUT	1/4-20 Nylock	2
65	532 08 83-48	WASHER	.530 x 1.25 x .010, Fender	2
66	532 19 74-80	O-RING		2
73	532 40 16-30	WASHER	Spring	4
76	589 41 68-04	BAFFLE	Rear, 21in Dome	1
77	817 41 13-12	SCREW	#13 x 3/4, Thread Forming	2
83	532 42 85-01	BAFFLE	Front, 21in Dome	1
84	817 00 05-10	BOLT	5/8-16 x 5/8, Thread Forming	2

B L1621i
HANDLE

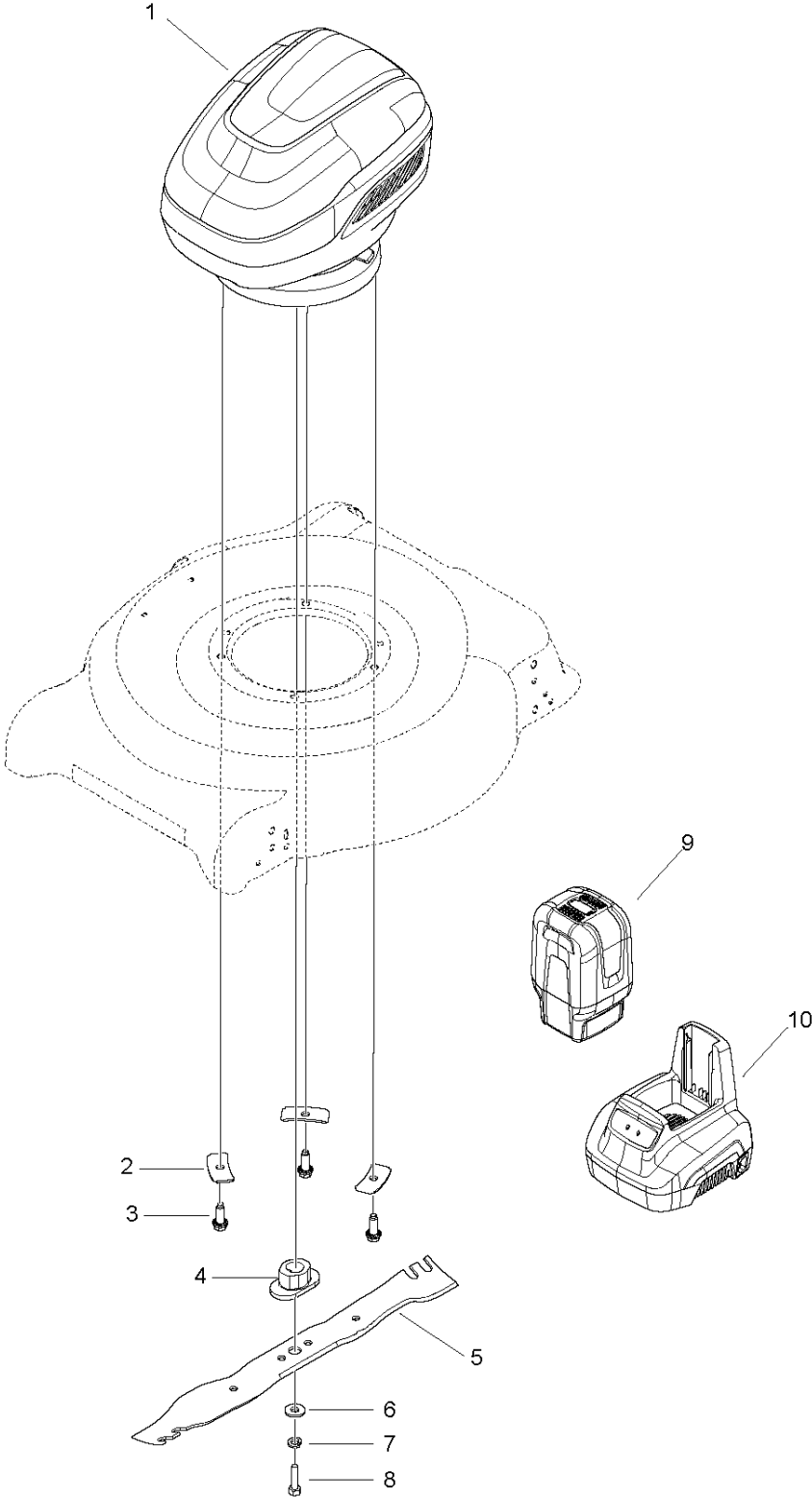


HANDLE

L1621i, 96133003400, 2017-12

Ref	Part No	Description	Remark	QTY KIT
1	593 60 33-01	BAIL	Curved, Operator Presence, Electric Mower	1
4	590 89 95-02	HANDLE	Upper, Curved, Electric Mower	1
5	532 12 51-62	PLATE	Upstop, LH	1
6	532 17 88-48	SCREW	10-16 x 5/8	1
9	532 43 75-16	PLUG	Plastic, Handle	2
10	588 04 04-01	BOLT	Concave Head, Retaining	1
11	580 63 86-02	HANDLE	Lower, 2 Piece	2
12	532 19 19-38	KNOB	Handle, T	2
15	586 21 25-01	BOLT	Carriage, 5/8-18 x 5/8	2
16	593 80 40-01	SWITCHBOX ASSY	User Interface, Jonsered	1
17	582 26 90-02	GRASS BAG ASSY	Jonsered	1
18	582 26 90-04	GRASS BAG ASSY	FRAME	1
19	532 16 57-60	DEFLECTOR	Side Discharge	1
20	873 97 05-00	NUT	Locking, 5/8-18	2
21	593 01 34-01	SCREW	#8-18 x .625, Plastic thread forming	2
22	592 80 45-01	RING	Retaining, Bail	1

C L1621i
MOTOR, BLADE, BATTERY AND CHARGER

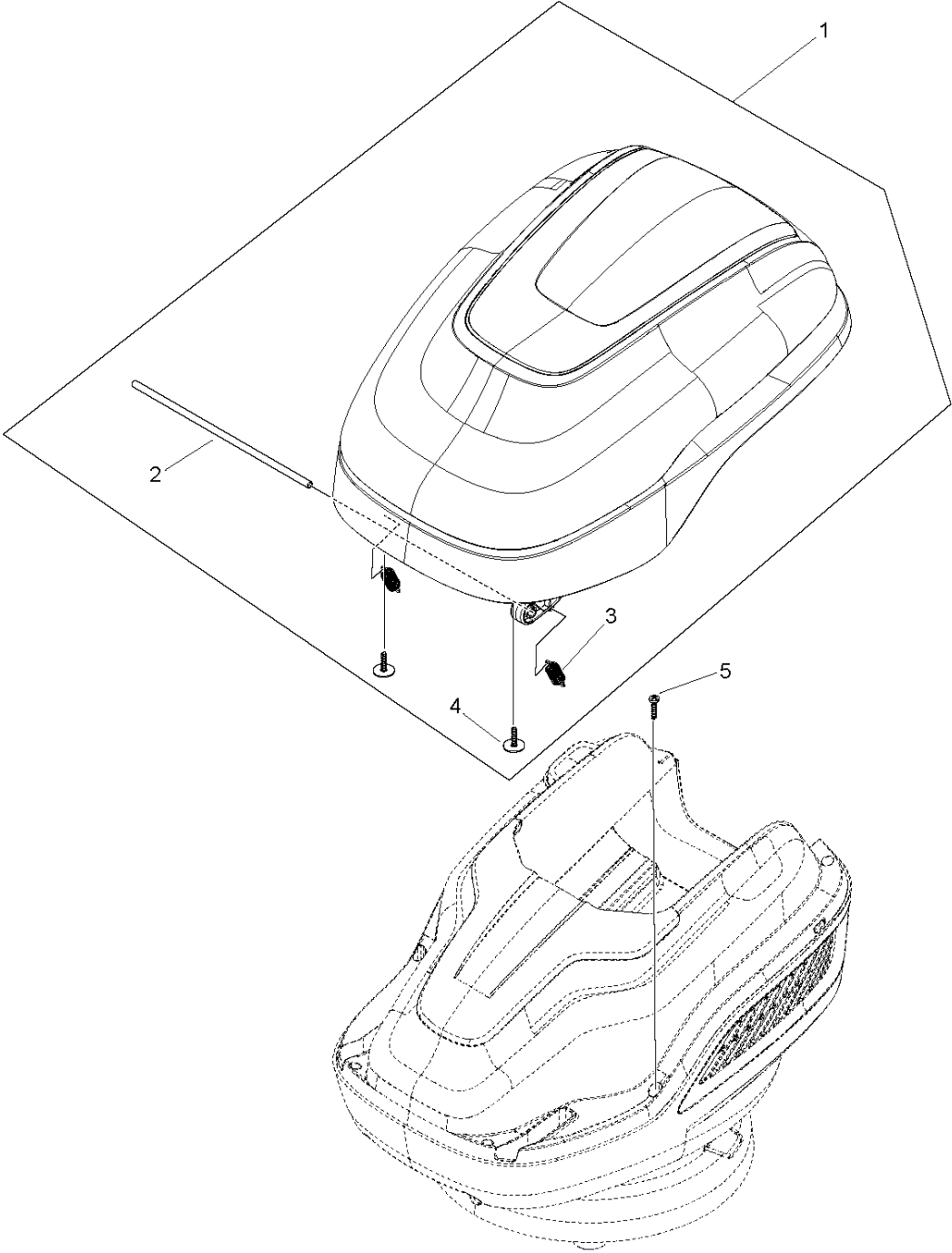


ENGINE

L1621i, 96133003400, 2017-12

Ref	Part No	Description	Remark	QTY KIT
1	590 91 75-02	MOTOR ASSY	Motor, 58V Jonsered. Includes User Interface Control	1
2	532 12 50-78	WASHER	Motor	3
3	591 13 89-01	SCREW	3/8-16 x 1, Dogpoint	3
4	590 73 98-01	ADAPTER	Blade, 25 mm	1
5	532 19 93-77	MOWER BLADE	21", Low Lift	1
6	532 85 10-74	WASHER	Hardened	1
7	532 85 02-63	WASHER	3/8, Helical Spring	1
8	582 38 84-01	BOLT	"Blade, Hex Head Machine Screw"	1
9	590 92 38-02	BATTERY	58V, 5.2Ah, Jonsered	1
10	590 91 51-04	CHARGER	58V, 350 W, Jonsered	1

D L1621i
MOTOR REPLACEMENT PARTS



ENGINE

L1621i, 96133003400, 2017-12

Ref	Part No	Description	Remark	QTY KIT
1	593 80 37-01	HOUSING ASSY	Jonsered, Upper w/ Hinges	1
2	593 81 91-01	ROD	Hinge	1
3	593 81 92-01	SPRING	Upper Housing	2
4	593 87 48-01	SCREW	M4 x 16, Plastic thread forming w/ washer	2
5	593 01 34-01	SCREW	#8-18 x .625, Plastic thread forming	6