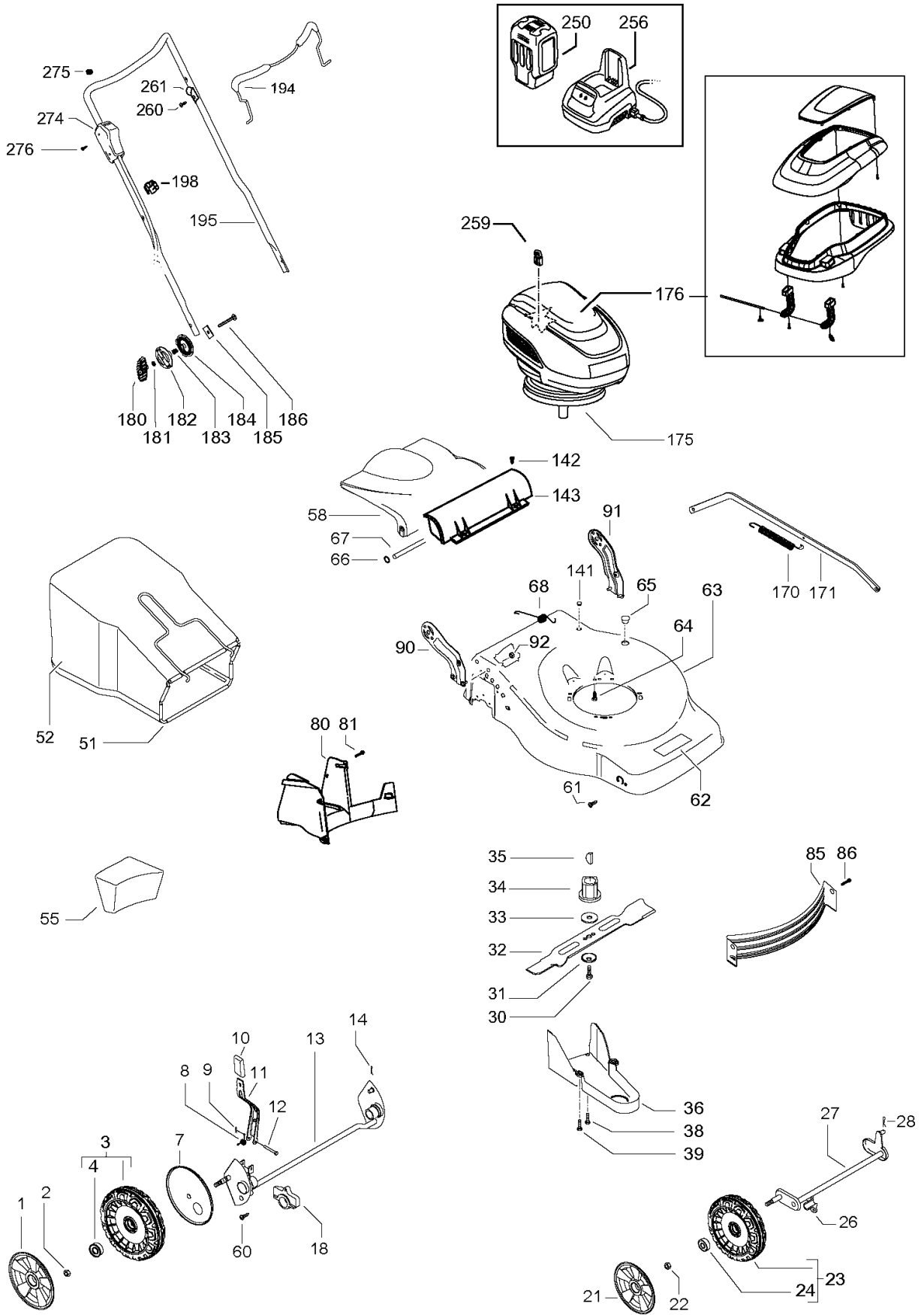




SPARE PARTS LIST

LAWN MOWERS: CONSUMER
WALK-BEHINDS

LM 2146 C Li58-52, 96791120100,
2019-02



PRODUCT COMPLETE

LM 2146 C Li58-52, 96791120100, 2019-02

Ref	Part No	Description	Remark	QTY	KIT
1	544 44 61-01	HUB CAP	d.210	2	
2	504 85 78-01	NUT	M8, self locking, flanged	2	
3	544 91 69-04	WHEEL ASSY	d.210	2	
4	531 20 87-78	BEARING		4	3
7	504 82 73-01	DUST COVER		2	
8	583 95 13-02	SPRING		1	
9	531 20 74-08	PIN RETAINING SCREW		1	
10	574 61 05-01	KNOB		1	
11	582 75 93-01	LEVER ASSY		1	
12	587 19 82-01	PIN		1	
13	596 81 62-01	REAR AXLE		1	
14	531 20 66-53	PIN		1	
18	531 20 59-44	SUPPORT		2	
21	544 44 59-01	HUB CAP	d.190	2	
22	504 85 78-01	NUT	M8, self locking, flanged	2	
23	544 91 73-02	WHEEL ASSY	d.190	2	
24	531 20 87-78	BEARING		4	23
26	577 38 42-01	SUPPORT		2	
27	504 85 65-01	FRONT AXLE ASSY		1	
28	531 20 66-53	PIN		1	
30	531 20 80-08	SCREW	3/8"	1	
31	531 20 72-37	WASHER		1	
32	581 18 89-10	MOWER BLADE		1	
33	531 20 72-43	WASHER		1	
34	531 20 72-42	ADAPTER		1	
35	505 29 09-01	KEY		1	
36	589 02 31-01	GUARD		1	
38	817 41 13-12	SCREW		1	
39	531 20 78-56	SCREW	5x10	2	
51	582 51 82-01	BAG FRAME		1	
52	583 79 83-05	GRASS BAG ASSY		1	
55	579 67 92-01	PLUG		1	
58	574 61 02-01	HATCH		1	
60	531 20 66-77	SCREW	4.8x19, self threading	2	
61	525 43 31-01	SCREW	4x16, self threading	4	
62	596 88 36-01	DECAL	Jonsered	1	
63	582 89 04-04	CHASSIS		1	
64	591 13 89-01	SCREW	3/8"	3	
65	597 01 75-01	PLUG		1	
66	584 81 69-03	LOCKWASHER		2	
67	531 21 14-41	TIE ROD		1	
68	531 21 18-40	SPRING		1	
80	597 00 09-01	BAFFLE		1	
81	589 81 44-01	SCREW		5	
85	589 00 87-01	BAFFLE		1	
86	817 00 05-10	BOLT		2	
90	582 75 06-02	HANDLE BRACKET	right	1	
91	582 75 02-02	HANDLE BRACKET	left	1	
92	582 75 89-01	HEXAGON NUT FLANGE	M8	4	
141	531 20 51-53	PLUG		1	
142	576 13 60-06	SCREW	M5x8	2	
143	579 30 09-01	SEAL		1	
170	579 24 53-02	SPRING		1	
171	580 96 33-01	ROD		1	
175	590 91 75-11	MOTOR ASSY		1	
176	593 80 37-02	HOUSING ASSY	Motor	1	175
180	531 20 58-40	KNOB		2	
181	531 20 49-22	WASHER		2	
182	531 21 14-74	SEGMENT	outer	2	
183	531 21 14-76	SPRING		2	
184	531 21 14-73	SEGMENT	inner	2	
185	531 21 15-81	PLATE		2	
186	531 21 14-80	SCREW	M8x55	2	
194	596 94 03-01	BAIL		1	

PRODUCT COMPLETE

LM 2146 C Li58-52, 96791120100, 2019-02

Ref	Part No	Description	Remark	QTY	KIT
195	594 10 80-02	HANDLE		1	
198	593 12 96-01	CABLE HOLDER		2	
250	590 92 38-13	BATTERY		1	
256	590 91 51-17	CHARGER		1	
259	596 01 81-01	KEY		1	
260	532 17 88-48	SCREW		1	
261	532 12 51-62	PLATE		1	
274	593 80 40-01	SWITCHBOX ASSY		1	175
275	592 80 45-01	RING		1	274
276	593 01 34-01	SCREW		2	