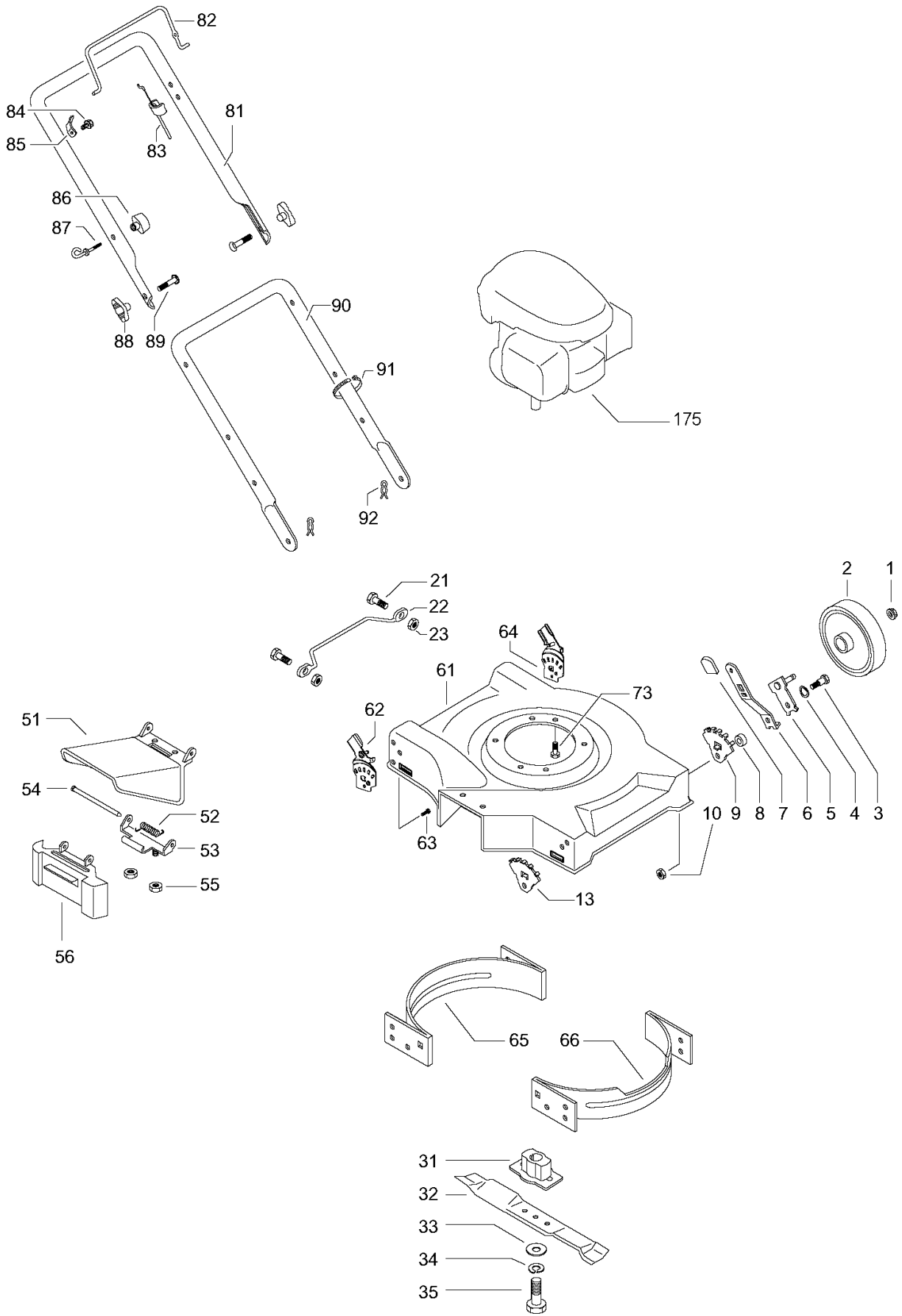




# SPARE PARTS LIST

LAWN MOWERS: CONSUMER  
WALK-BEHINDS

LM 2150 SM, 96111002412, 2019-02



PRODUCT COMPLETE

LM 2150 SM, 96111002412, 2019-02

Ref	Part No	Description	Remark	QTY KIT
1	532 40 91-48	NUT		4
2	532 19 42-30	WHEEL & TIRE ASSEMBLY (REAR)	d.200	4
3	532 40 16-38	BOLT		4
4	532 40 16-30	WASHER		4
5	588 62 71-02	ARM		4
6	587 85 78-02	SPRING		4
7	532 08 78-77	KNOB		4
8	532 40 16-29	SPACER		4
9	532 41 44-41	BRACKET	left	1
10	532 75 11-53	LOCKNUT 5/16-18 RL550HVA		4
13	532 41 44-40	BRACKET	right	1
21	871 19 10-12	SCREW		2
22	532 43 19-95	GUARD		1
23	532 06 91-80	NUT		2
31	581 54 79-01	ADAPTER		1
32	532 14 51-06	BLADE		1
33	532 85 10-74	WASHER		1
34	532 85 02-63	WASHER		1
35	532 85 10-84	SCREW		1
51	596 21 52-01	CHUTE		1
52	532 41 18-32	SPRING		1
53	532 08 86-02	DEFLECTOR		1
54	532 15 02-15	SHAFT		1
55	873 80 04-00	NUT		2
56	532 41 24-00	PLUG		1
61	587 57 20-02	HOUSING		1
62	587 33 27-02	BRACKET	right	1
63	817 49 04-08	SCREW		2
64	587 33 28-02	BRACKET	left	1
65	587 99 14-01	BAFFLE		1
66	588 54 88-01	BAFFLE		1
73	532 15 04-06	BOLT	3/8"	3
81	582 76 59-02	HANDLE	upper	1
82	532 19 60-25	CONTROL		1
83	532 44 09-34	CABLE		1
84	532 17 88-48	SCREW		1
85	532 43 00-34	BRACKET		1
86	581 91 26-01	KNOB		1
87	581 90 21-01	GUIDE		1
88	532 19 19-38	KNOB		2
89	588 04 04-01	BOLT		2
90	582 73 39-02	HANDLE	lower	1
91	531 20 55-81	CLIP		1
92	532 05 17-93	PIN RETAINING SCREW		2
175	N/A	TBD	engine, Briggs & Stratton, model number 08P5020012H5	1