

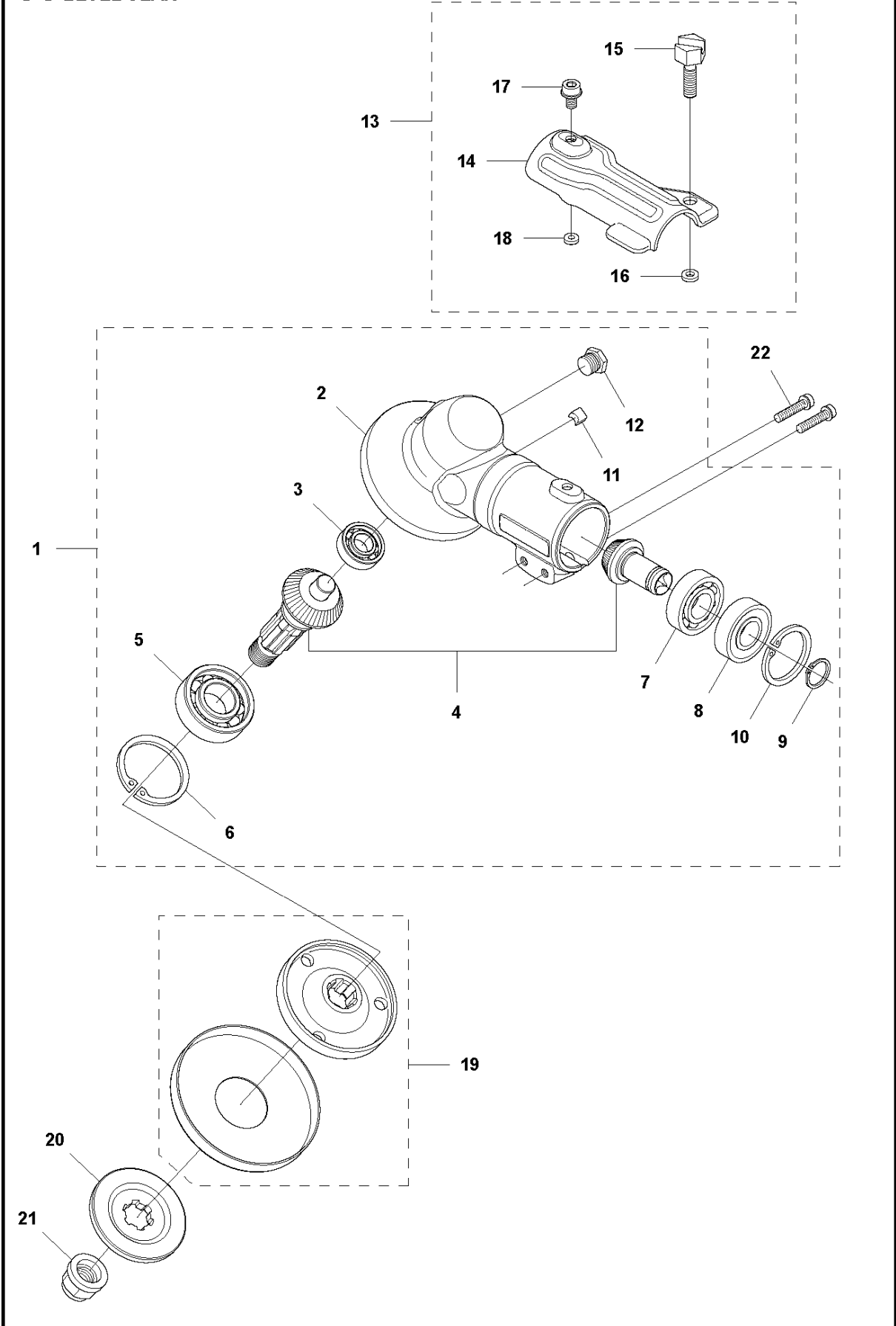


SPARE PARTS LIST

BRUSHCUTTERS/CLEARING SAWS

BC2235

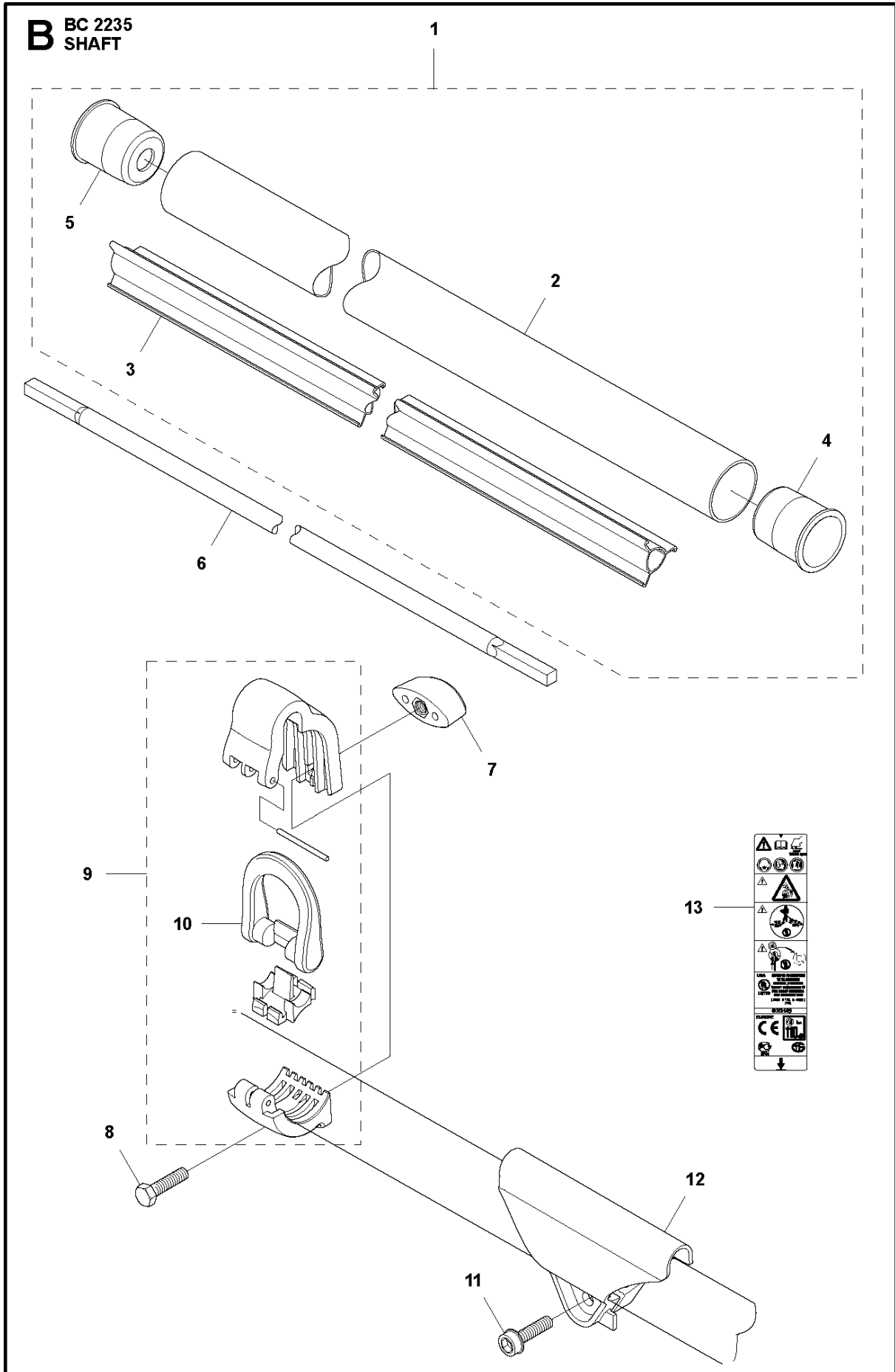
A BC 2235, CC 2235
BEVEL GEAR



BEVEL GEAR

BC2235

Ref	Part No	Description	Remark	QTY	KIT
1	544 21 64-01	GEAR		1	
2	537 29 59-02	GEAR HOUSING		1	1
3	738 21 99-00	BALL BEARING		1	1
4	505 13 33-01	SPARE PARTS KIT		1	1
5	503 25 28-01	BALL BEARING		1	1
6	735 31 31-10	CIRCLIP		1	1
7	738 21 01-10	BALL BEARING		1	1
8	738 21 01-12	BALL BEARING		1	1
9	735 31 14-00	CIRCLIP		1	1
10	735 31 28-10	CIRCLIP		1	1
11	537 14 74-01	MAGNET		1	1
12	503 20 15-01	SCREW		1	1
13	574 30 68-01	CLAMP		1	
14	544 08 76-01	CLAMP		1	13
15	537 18 95-01	SCREW		1	13
16	732 21 16-01	LOCK NUT		1	13
17	503 20 02-10	SCREW IHSCFM		1	13
18	574 03 95-01	LOCK NUT		1	13
19	537 35 14-02	DRIVER		1	
20	537 34 35-01	SUPPORT FLANGE		1	
21	502 29 11-01	BLADE NUT		1	
22	503 20 03-25	SCREW IHSCFM		2	

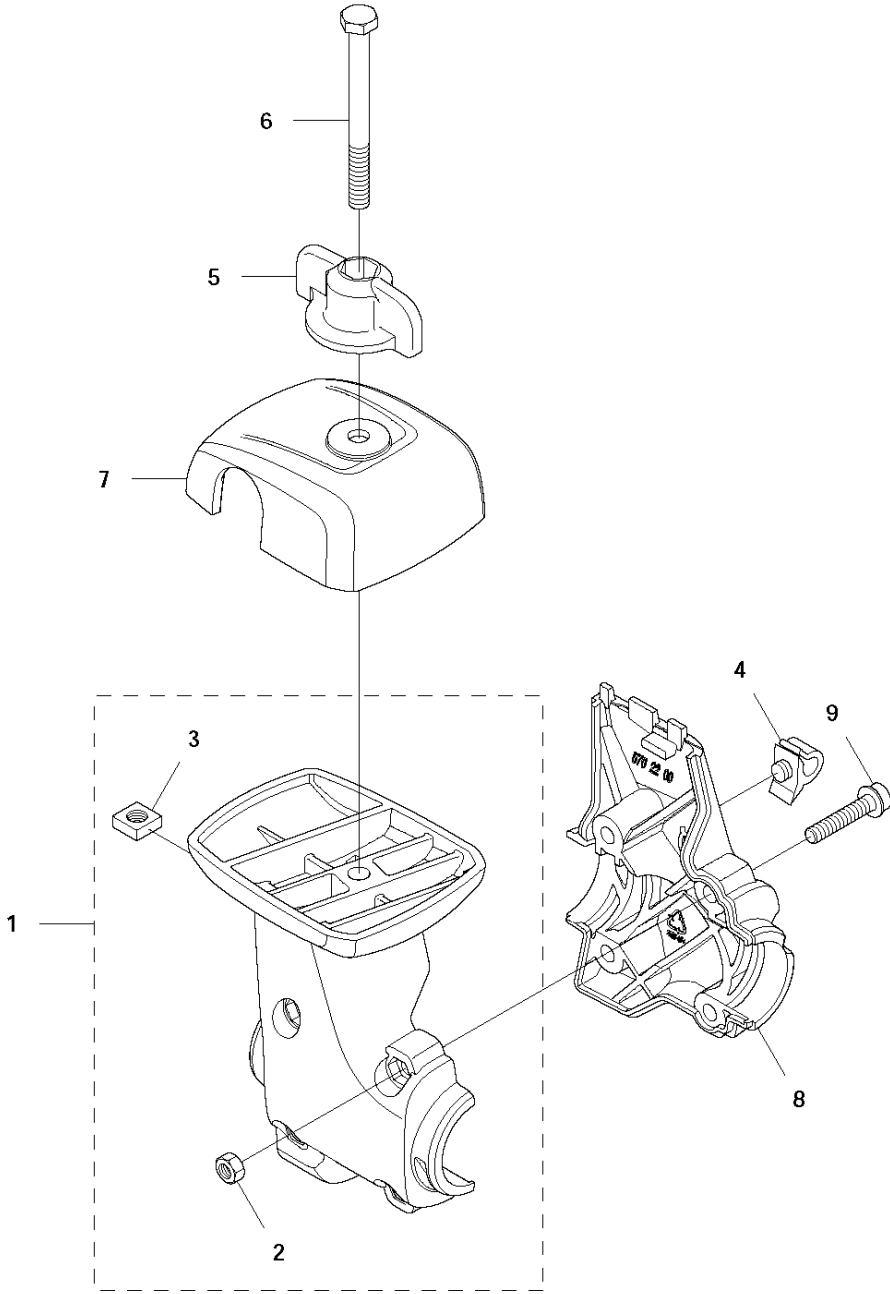


SHAFT

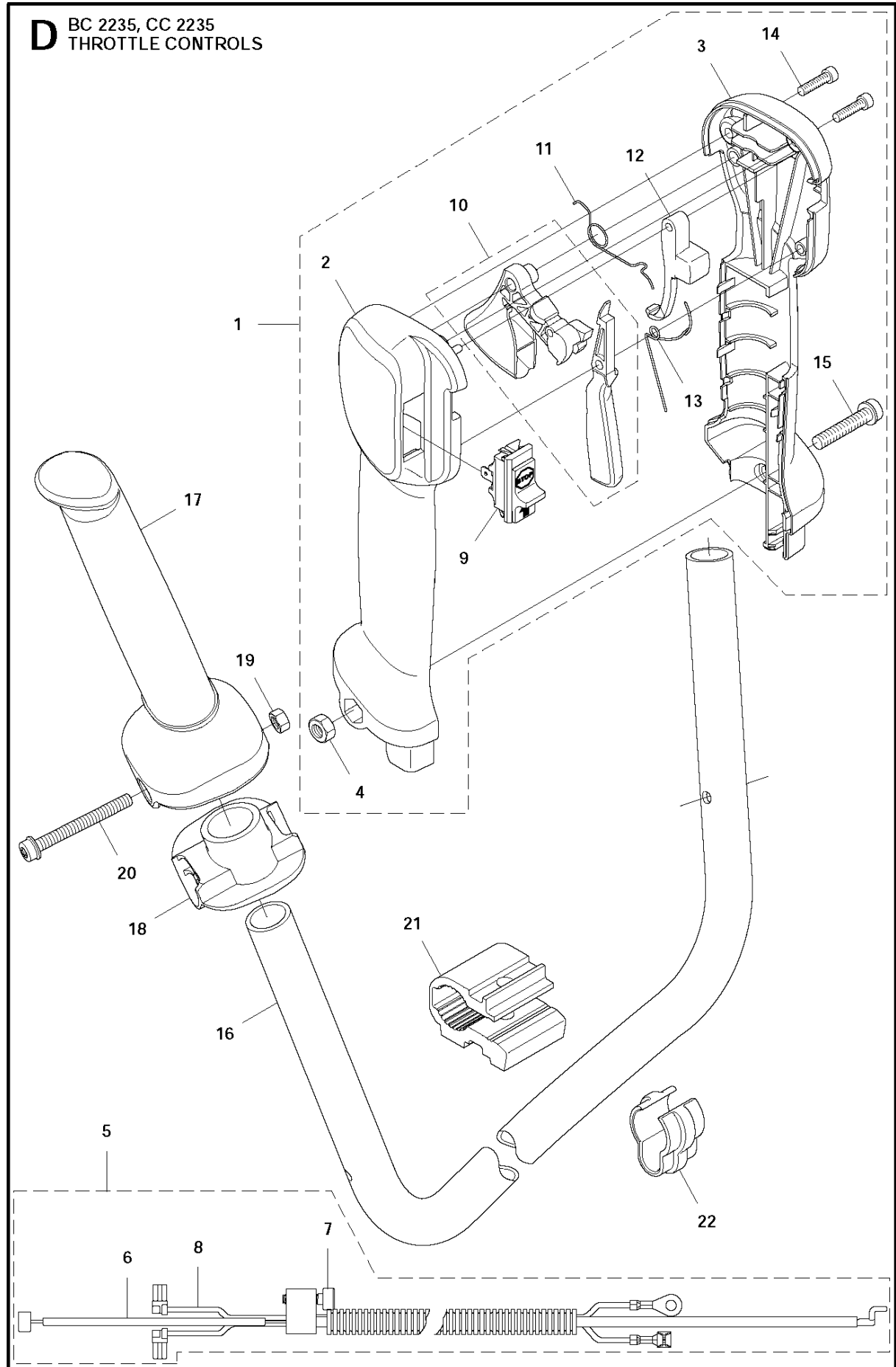
BC2235

Ref	Part No	Description	Remark	QTY	KIT
1	501 91 97-01	TUBE ASSY		1	
2	537 21 41-01	TUBE		1	1
3	537 31 39-01	GUIDE		1	1
4	537 36 02-01	SPACER		1	1
5	537 36 02-02	SPACER		1	1
6	544 18 32-01	DRIVE SHAFT		1	
7	537 13 04-03	KNOB		1	
8	725 23 31-51	SCREW		1	
9	537 34 98-02	LOOP		1	
10	537 35 01-02	LOOP		1	9
11	503 21 75-16	SCREW IHSCFT		1	
12	537 37 61-02	WIRING		1	
13	589 29 51-01	LABEL		1	

C BC 2235, CC 2235
TOWER



Ref	Part No	Description	Remark	QTY	KIT
1	576 27 74-02	HANDLEBAR BRACKET		1	
2	731 23 14-01	HEXAGON NUT		4	1
3	502 19 71-01	SQUARE NUT		1	1
4	502 28 61-01	CLIP		1	
5	502 20 38-01	KNOB		1	
6	725 23 83-51	SCREW EHHM		1	
7	576 22 01-02	COVER		1	
8	576 22 00-02	LID		1	
9	503 20 07-78	SCREW IHSCFM		4	

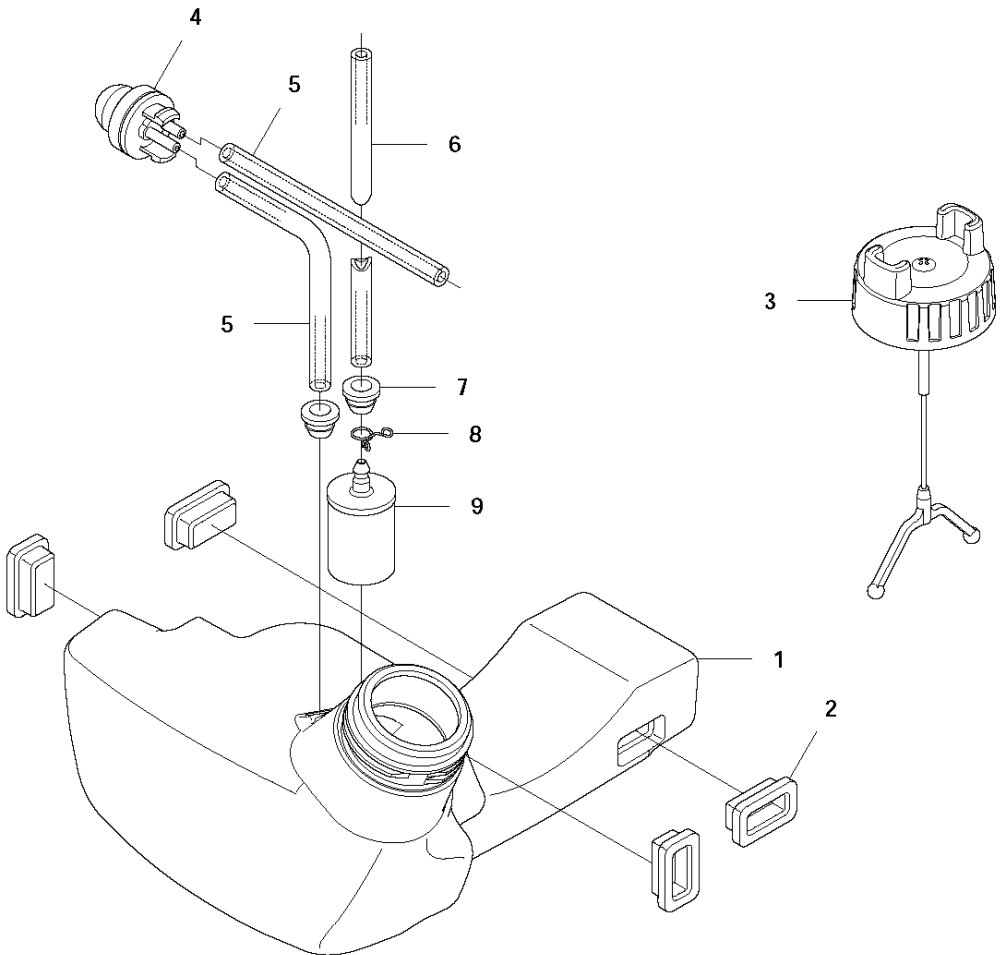


THROTTLE CONTROLS

BC2235

Ref	Part No	Description	Remark	QTY	KIT
1	537 42 45-08	HANDLE SYSTEM		1	
2	537 16 02-04	HANDLE HALF		1	1
3	537 16 03-03	HANDLE HALF		1	1
4	503 22 10-13	HEXAGON NUT		1	1
5	537 35 96-02	WIRING ASSY		1	
6	537 37 78-01	THROTTLE WIRE ASSY		1	5
7	503 21 66-18	SCREW IHCT		1	5
8	503 87 85-07	SHORT CIRCUIT CABLE		1	5
9	537 41 90-01	SWITCH		1	1
10	506 49 77-02	THROTTLE CONTROL		1	1
11	537 17 42-01	SPRING THROTTLE TRIG		1	1
12	537 16 07-04	THROTTLE LOCKOUT		1	1
13	537 17 43-01	SPRING		1	1
14	503 21 66-18	SCREW IHCT		2	1
15	503 20 07-35	SCREW IHSCFM		1	1
16	502 19 95-03	HANDLEBAR	BC2235	1	
16	537 36 00-01	HANDLEBAR	CC2235	1	
17	537 17 28-06	HANDLE		1	
18	537 17 29-03	BRACKET		1	
19	731 23 14-01	HEXAGON NUT		1	
20	503 20 02-45	SCREW IHSCFM		1	
21	544 02 09-01	CLIP		1	
22	502 21 12-01	STAPLE		1	

E BC 2235, CC 2235
FUEL TANK

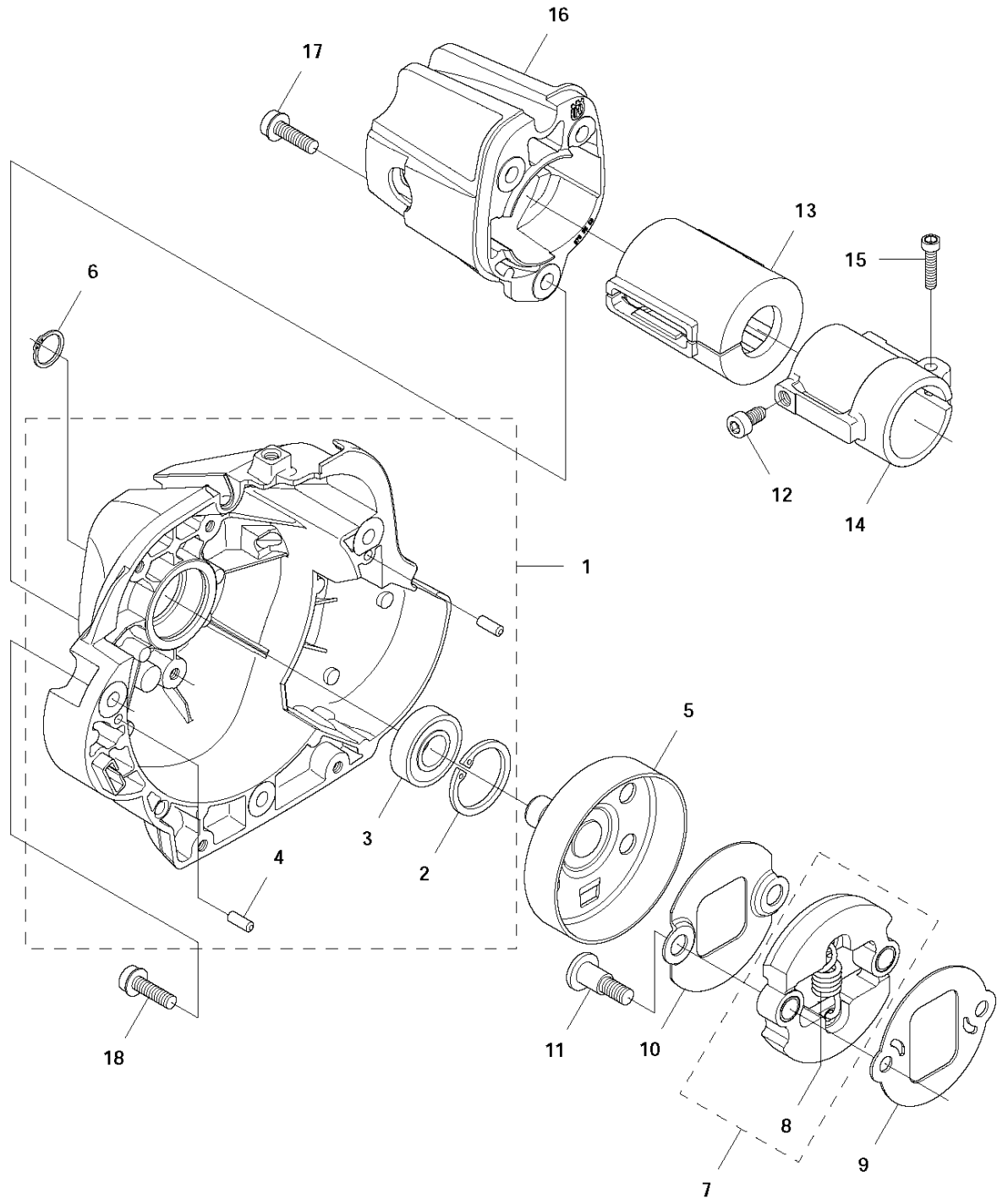


FUEL TANK

BC2235

Ref	Part No	Description	Remark	QTY KIT
1	544 32 88-01	TANK ASSY		1
2	503 91 10-01	SUSPENSION		4
3	544 88 97-01	TANK CAP		1
3	544 88 97-03	TANK CAP		1
4	503 93 66-01	PURGE		1
5	537 04 24-12	FUEL HOSE		2
6	537 05 23-01	FUEL HOSE		1
7	503 73 58-01	BUSHING		2
8	537 18 49-01	O-RING		1
9	503 44 32-01	FUEL FILTER		1

F BC 2235, CC 2235
CLUTCH

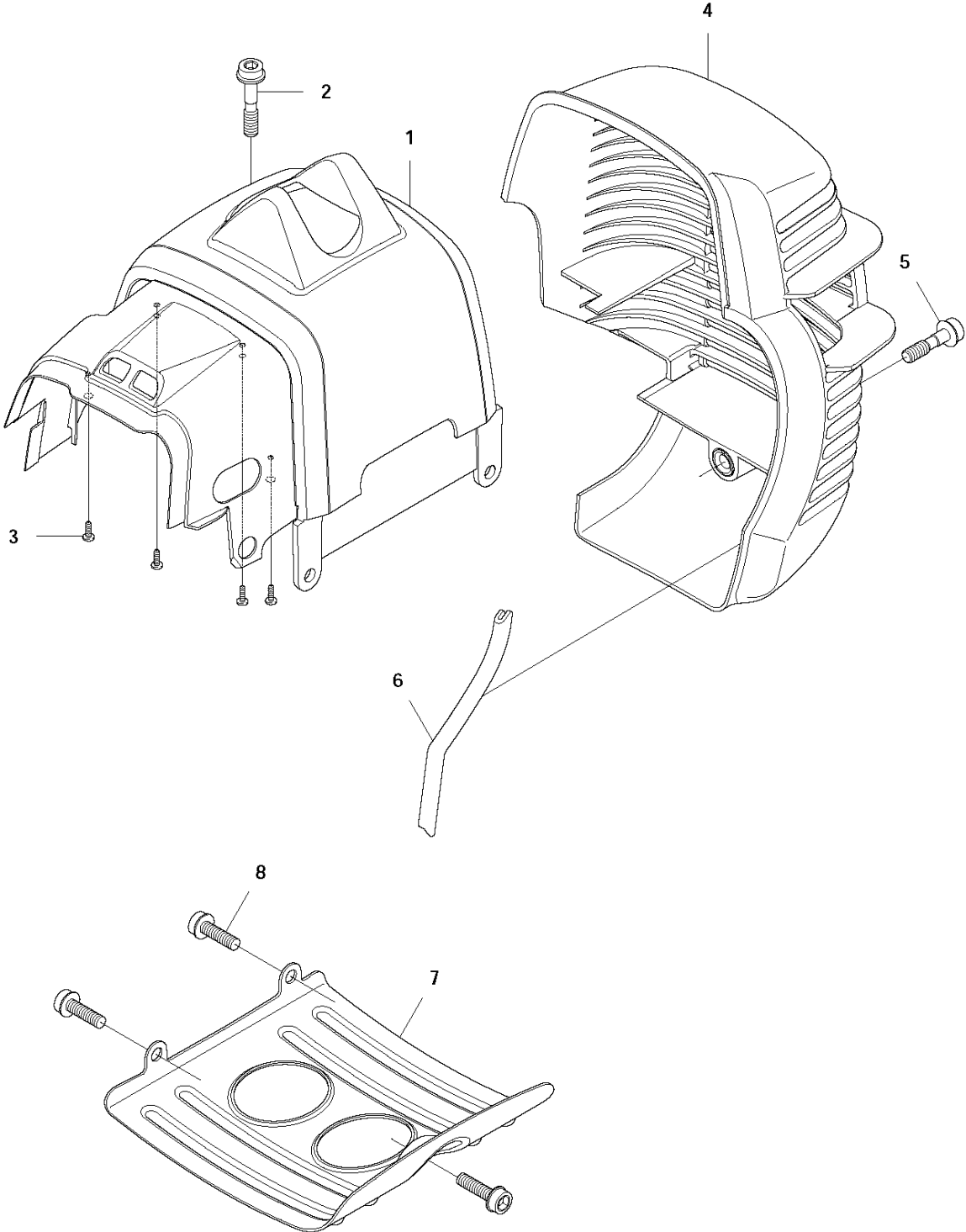


CLUTCH

BC2235

Ref	Part No	Description	Remark	QTY	KIT
1	574 84 29-02	CLUTCH COVER ASSY		1	
2	735 31 28-10	CIRCLIP		1	1
3	738 21 01-04	BALL BEARING		1	1
4	503 24 07-02	PARALLEL PIN		2	1
5	537 35 29-01	CLUTCH DRUM		1	
6	735 31 14-00	CIRCLIP		1	
7	537 34 04-01	CLUTCH		1	
8	537 42 72-01	SPRING		1	7
9	537 04 68-01	WASHER		1	
10	537 41 57-01	WASHER		1	
11	537 41 81-01	SCREW		2	
12	503 21 74-11	SCREW IH SCT		1	
13	537 32 27-01	ANTIVIBRATION ELEMENT		1	
14	537 31 01-01	COMPRESSION SLEEVE		1	
15	725 53 33-55	SCREW IHSCM		1	
16	575 86 58-02	COVER		1	
17	503 20 03-20	SCREW IHSCFM		3	
18	537 41 81-01	SCREW		2	

G BC 2235, CC 2235
CYLINDER COVER

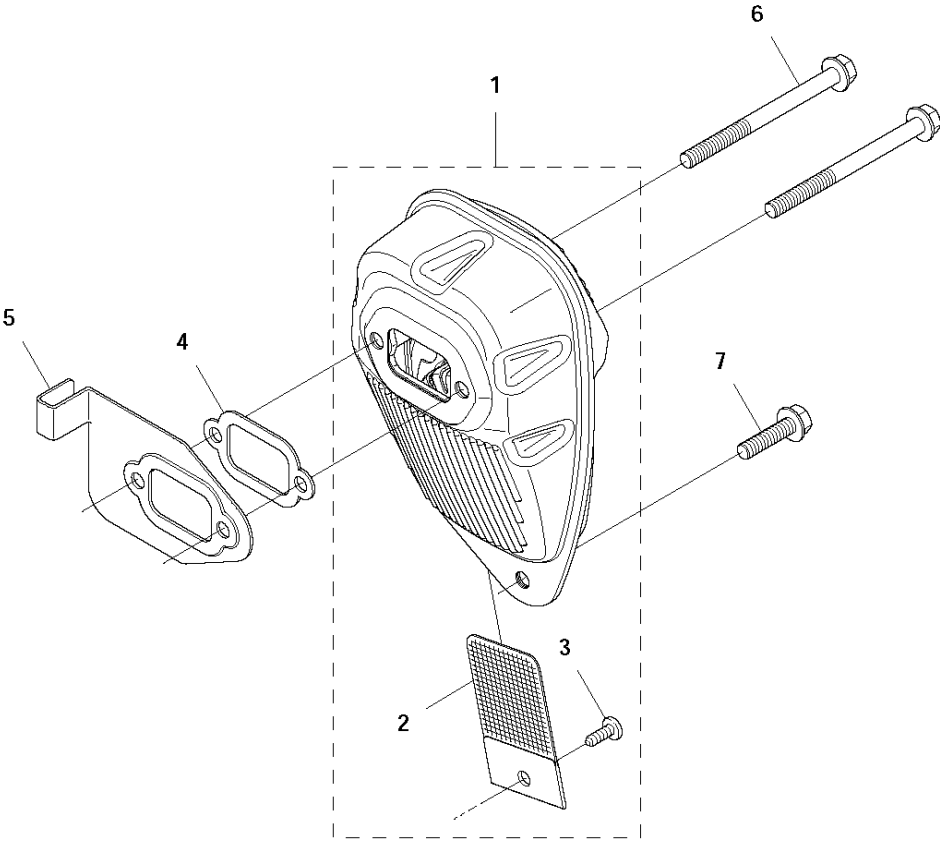


CYLINDER COVER

BC2235

Ref	Part No	Description	Remark	QTY KIT
1	544 14 20-02	CYLINDER COVER	Spare part with Captive Screw	1
2	573 99 43-04	SCREW IHSCFMO	Captive Screw	1
3	503 21 29-10	SCREW CCRPANT		4
4	544 14 46-02	HEAT PROTECTOR	Spare part with Captive Screw	1
5	537 42 51-02	HEAT PROTECTOR	Captive Screw	1
6	544 02 98-01	BAR		1
7	537 35 72-01	PROTECTIVE PLATE		1
8	503 21 75-16	SCREW IHSCFT		3

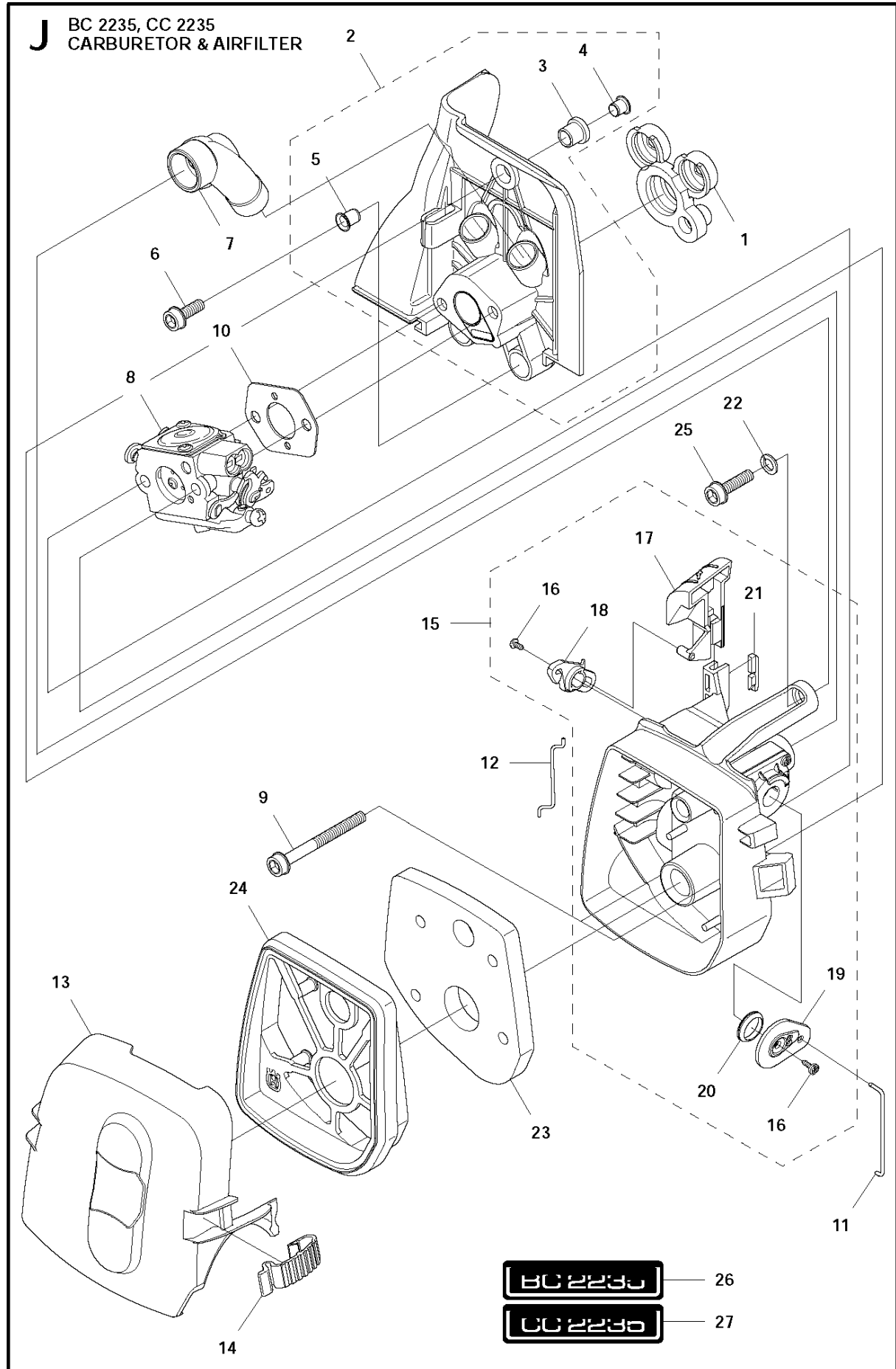
H BC 2235, CC 2235
MUFFLER



MUFFLER

BC2235

Ref	Part No	Description	Remark	QTY	KIT
1	505 40 86-01	MUFFLER ASSY	CAT	1	
2	544 11 68-01	SPARK ARRESTER SCREEN		1	1
3	724 12 87-59	SCREW CRPANM		1	1
4	537 33 31-01	GASKET		1	
5	537 34 08-01	AIR CONDUCTOR		1	
6	503 20 29-63	SCREW IHSCFM		2	
7	503 20 03-20	SCREW IHSCFM		1	

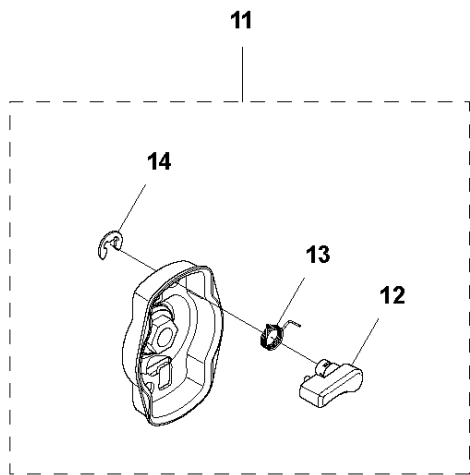
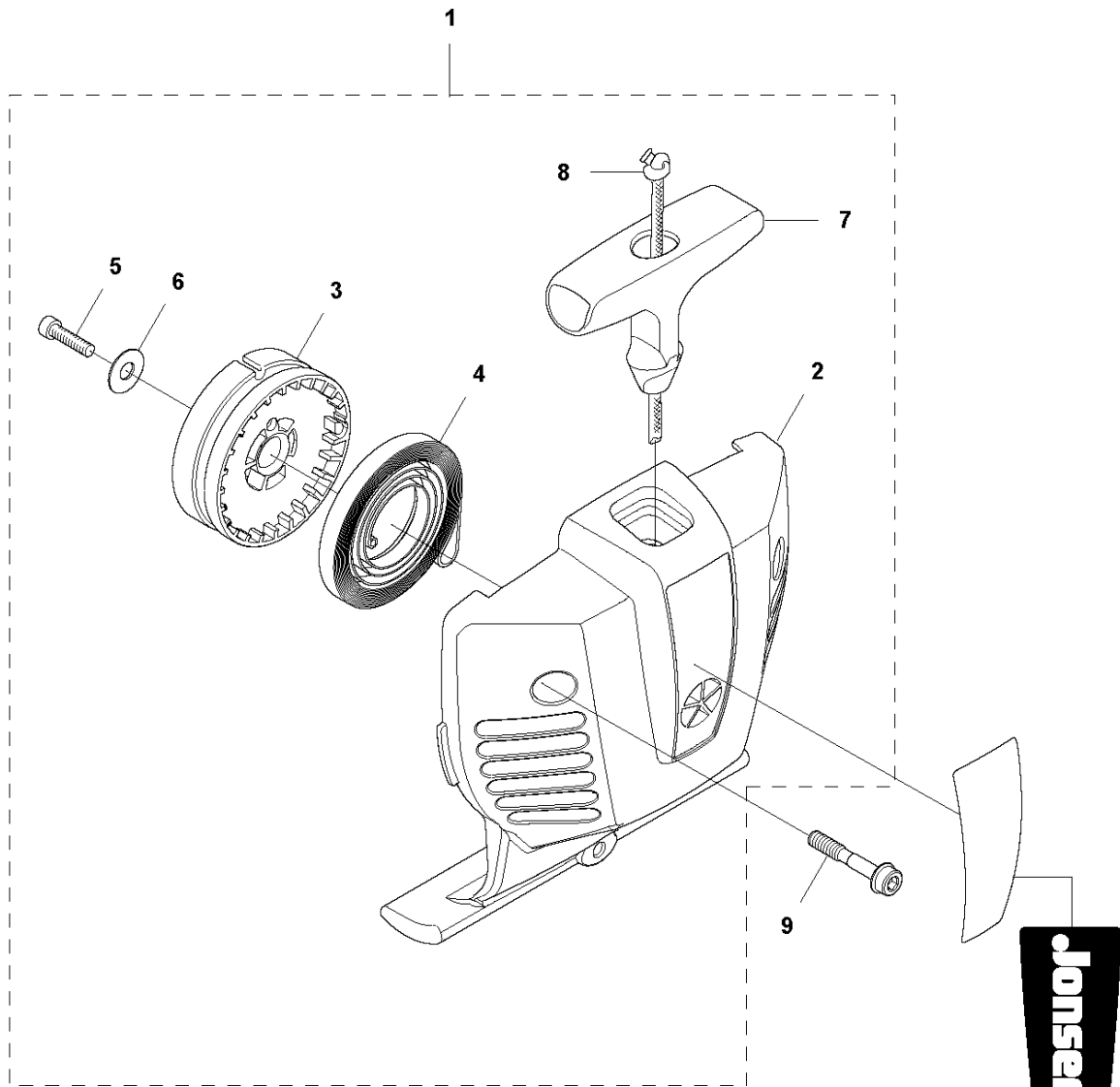


CARBURETOR & AIR FILTER

BC2235

Ref	Part No	Description	Remark	QTY	KIT
1	537 33 43-01	INLET PIPE		1	
2	537 37 12-02	INSULATION WALL		1	
3	537 37 11-01	SLEEVE		1	2
4	544 01 91-01	TUBULAR RIVET		1	2
5	537 37 38-03	TUBULAR RIVET		2	2
6	503 20 03-16	SCREW IHSCFM		2	
7	537 34 13-01	AIR DUCT		1	
8	575 72 90-01	CARBURETTOR	Zama C1Q-EL45	1	
9	503 21 75-50	SCREW IHSCFT		2	
10	503 49 71-01	GASKET		1	
11	537 34 90-01	LEVER		1	
12	544 37 27-01	SLEEVING BRACKET		1	
13	544 12 65-01	FILTER COVER		1	
14	537 38 72-01	SNAP LOCKING		2	
15	537 31 41-01	FILTER HOLDER		1	
16	503 21 29-06	SCREW CCRPANT		2	15
17	537 33 71-01	CHOKE CONTROL		1	15
18	537 35 58-01	LEVER		1	15
19	544 01 46-01	LEVER		1	15
20	544 01 47-01	BELLOWS		1	15
21	544 02 58-01	BAR		1	15
22	503 23 10-06	WASHER		1	
23	537 33 72-01	FILTER		1	
24	537 31 42-01	FRAME		1	
25	503 20 03-20	SCREW IHSCFM		1	
26	544 20 98-07	LABEL	BC 2235	1	
27	544 20 98-06	LABEL	CC 2235	1	

K1 BC 2235, CC 2235
STARTER

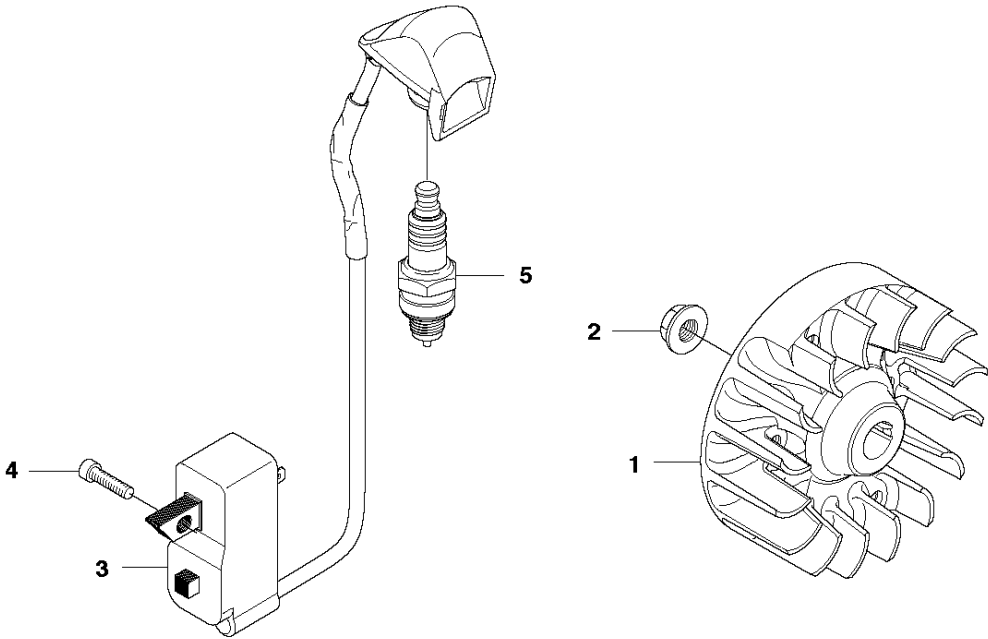


STARTER

BC2235

Ref	Part No	Description	Remark	QTY KIT	
1	544 12 84-02	STARTER HOUSING		1	
2	544 12 64-02	STARTER HOUSING	Spare part adapted for captive screw	1	1
3	537 32 50-03	STARTER PULLEY		1	1
4	503 85 99-01	RECOIL SPRING		1	1
5	503 21 79-20	SCREW IHST		1	1
6	535 07 23-01	WASHER		1	1
7	503 99 77-01	STARTER HANDLE		1	1
8	505 30 51-25	STARTER CORD		1	1
9	573 99 43-05	SCREW IHSCFMO	Captive screw	3	
10	537 18 28-01	LABEL		1	
11	503 87 33-05	STARTER PAWL		1	
12	503 87 35-02	STARTER PAWL		2	11
13	503 87 36-01	SPRING		2	11
14	735 31 08-20	E-CLIP		2	11

L BC 2235
IGNITION

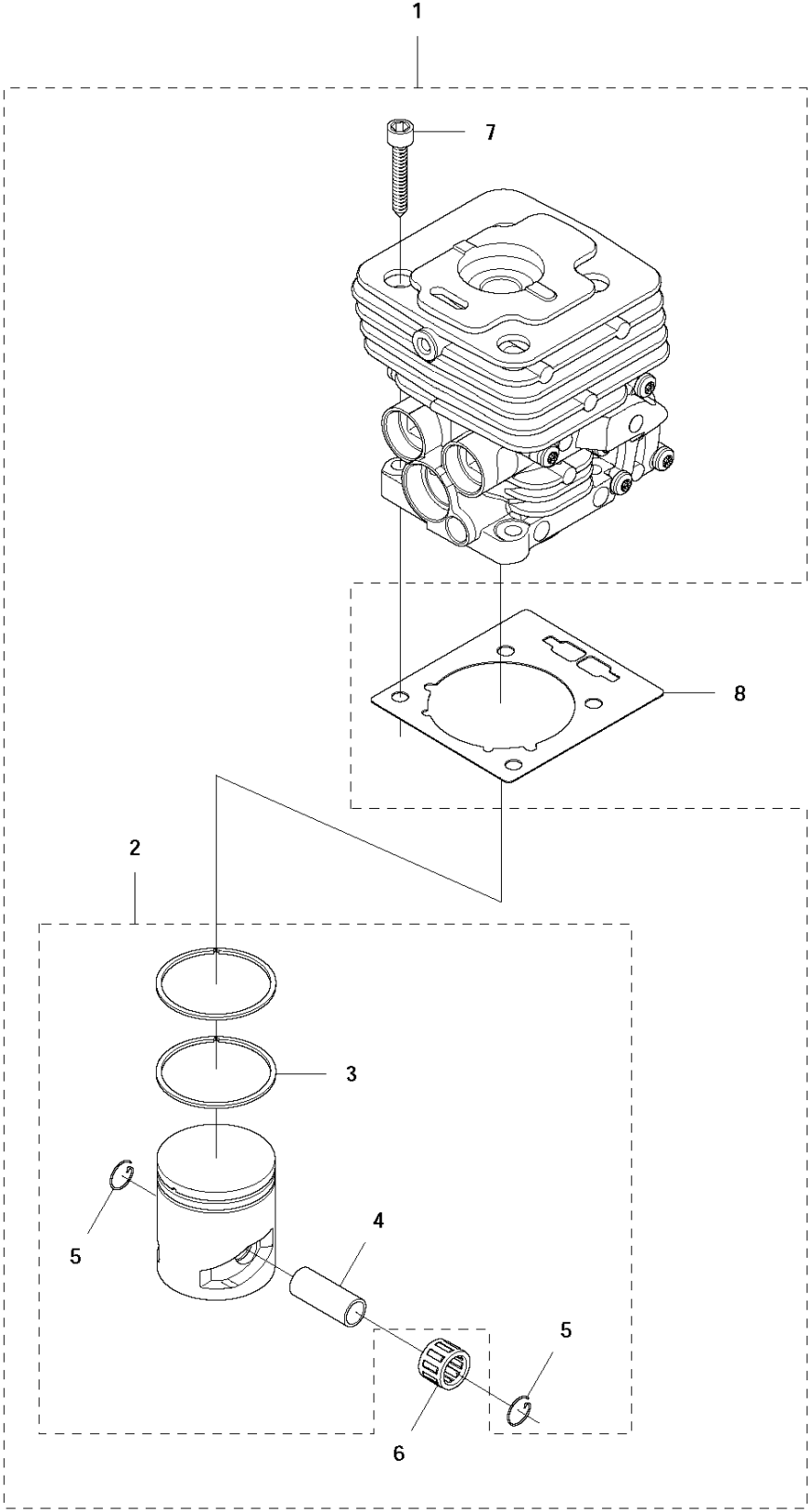


IGNITION SYSTEM

BC2235

Ref	Part No	Description	Remark	QTY KIT
1	537 24 96-01	FLYWHEEL		1
2	731 71 16-51	HEXAGON NUT FLANGE		1
3	544 12 70-02	IGNITION MODULE		1
4	503 21 66-18	SCREW IHSCT		2
5	503 23 51-09	SPARK PLUG		1

M BC 2235, CC 2235
CYLINDER & PISTON

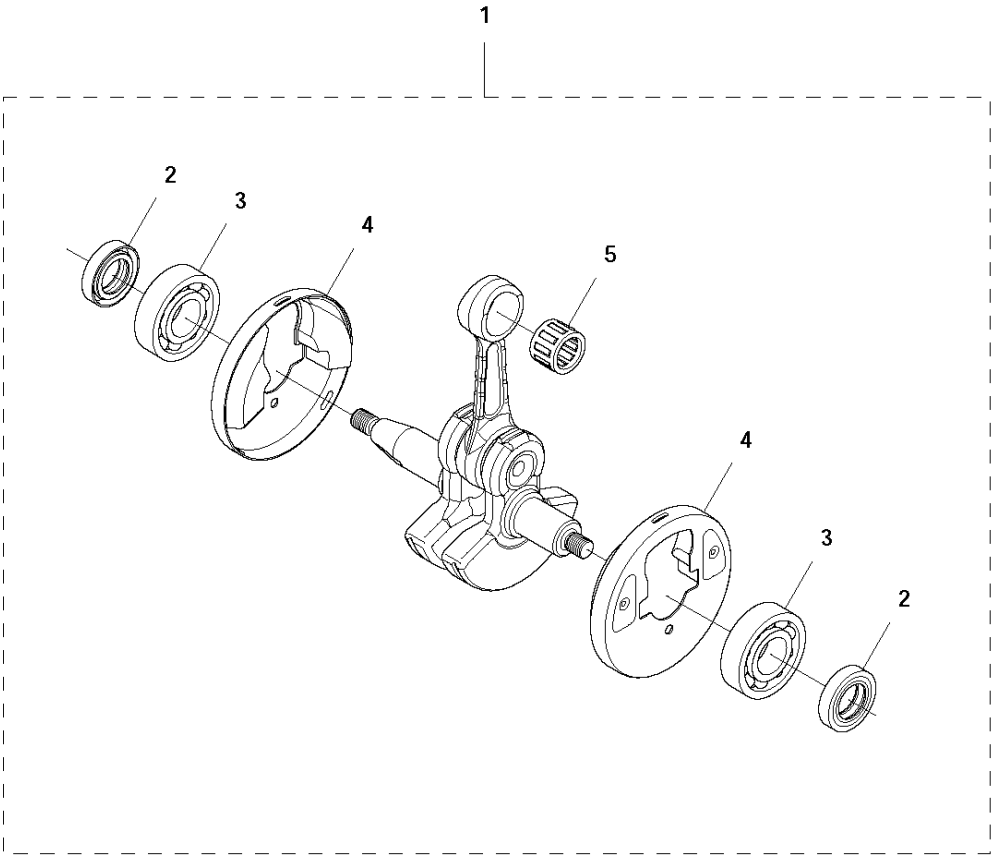


CYLINDER

BC2235

Ref	Part No	Description	Remark	QTY	KIT
1	544 40 06-01	CYLINDER ASSY		1	
2	585 99 83-02	PISTON ASSY		1	1
3	503 28 90-54	PISTON RING		2	1,2
4	503 28 91-19	PISTON PIN		1	1,2
5	737 44 10-00	SNAP RING		2	1,2
6	503 41 41-01	NEEDLE BEARING		1	1
7	725 53 33-55	SCREW IHSCM		4	1
8	537 33 30-01	GASKET		1	

N BC 2235, CC 2235
CRANK SHAFT

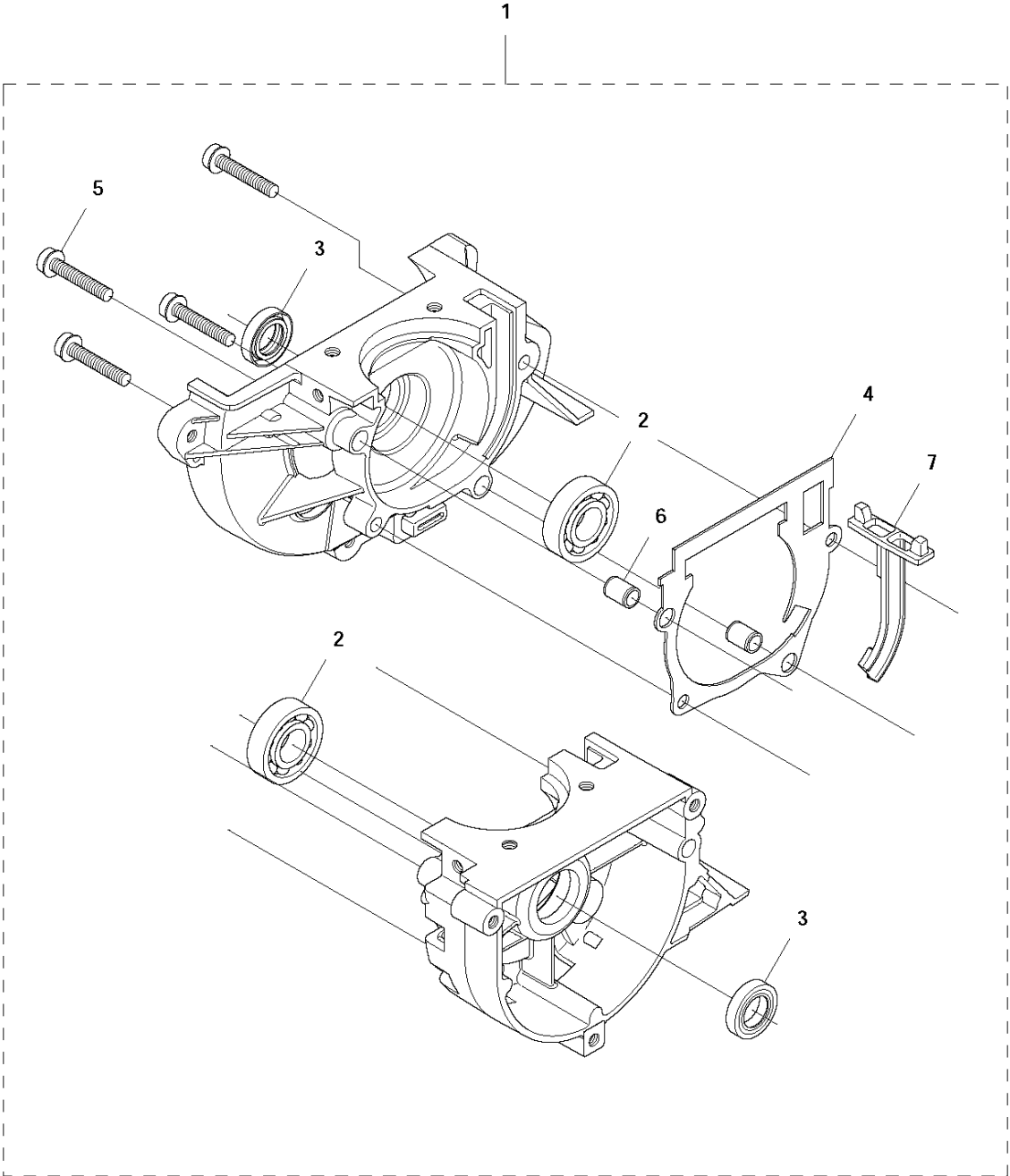


CRANKSHAFT

BC2235

Ref	Part No	Description	Remark	QTY	KIT
1	544 03 90-01	CRANKSHAFT ASSY		1	
2	503 26 02-02	SEALING RING		2	1
3	738 21 01-10	BALL BEARING		2	1
4	537 29 76-01	CUP		2	1
5	503 41 41-01	NEEDLE BEARING		1	1

P BC 2235, CC 2235
CRANKCASE



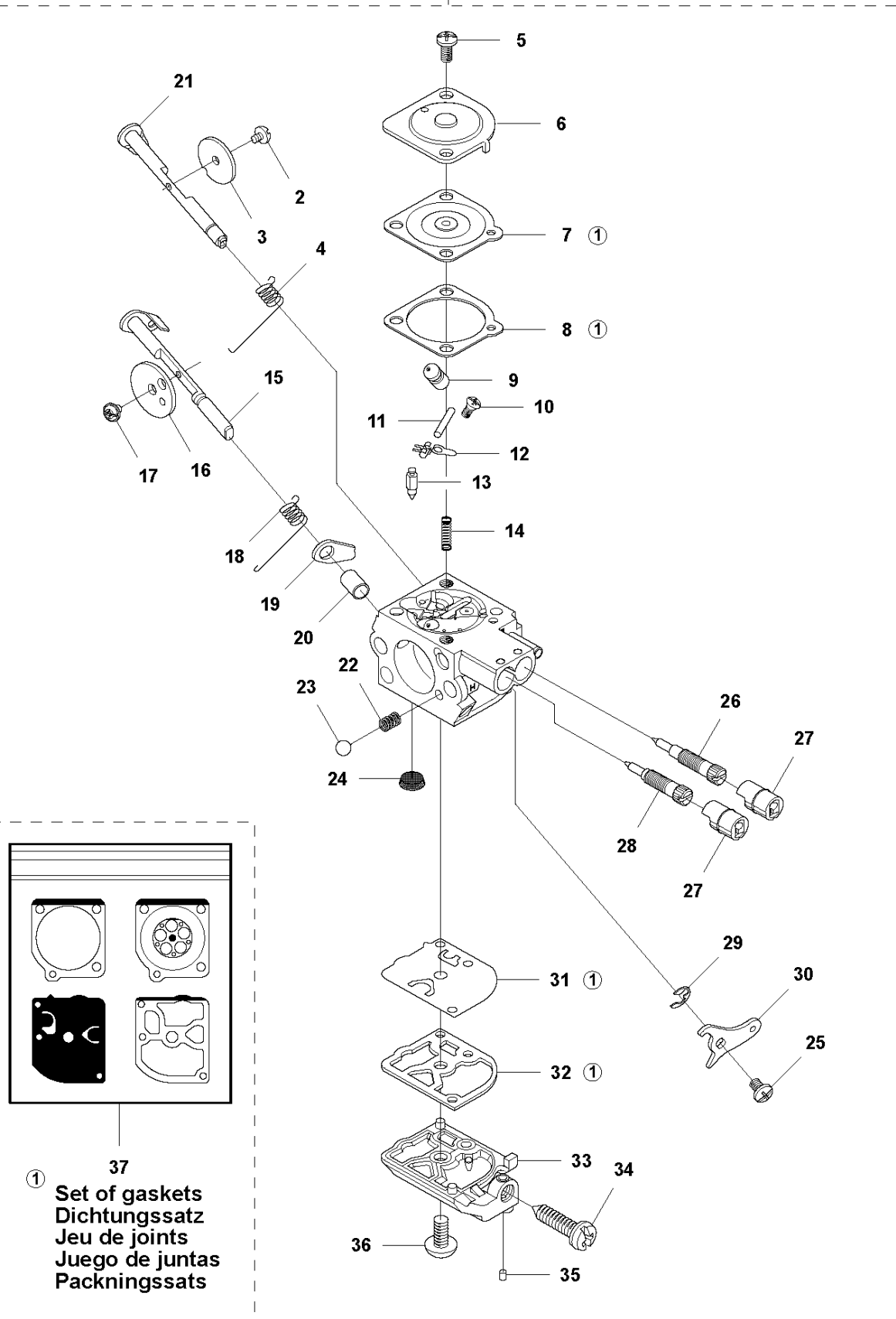
CRANKCASE

BC2235

Ref	Part No	Description	Remark	QTY	KIT
1	585 38 22-01	CRANKCASE ASSY		1	
2	738 21 01-10	BALL BEARING		2	1
3	503 26 02-02	SEALING RING		2	1
4	593 77 76-01	GASKET		1	1
5	503 20 02-30	SCREW IHSCFM		4	1
6	501 27 08-01	GUIDE BUSHING		2	1
7	537 32 42-01	INSERT		1	1

Q BC 2235, CC 2235
CARBURETOR

Zama C1Q-EL45



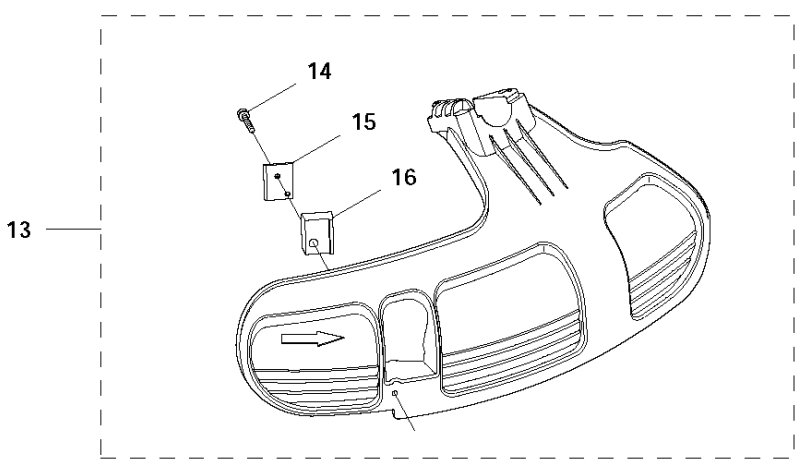
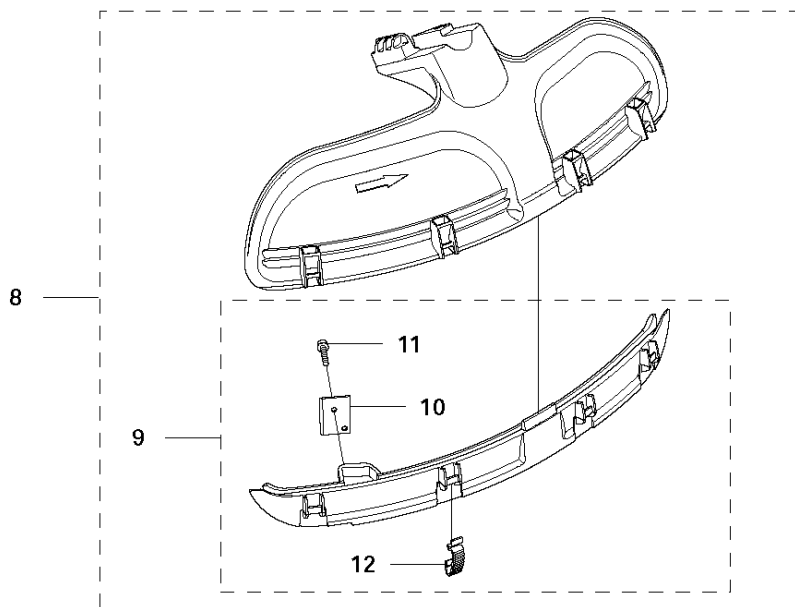
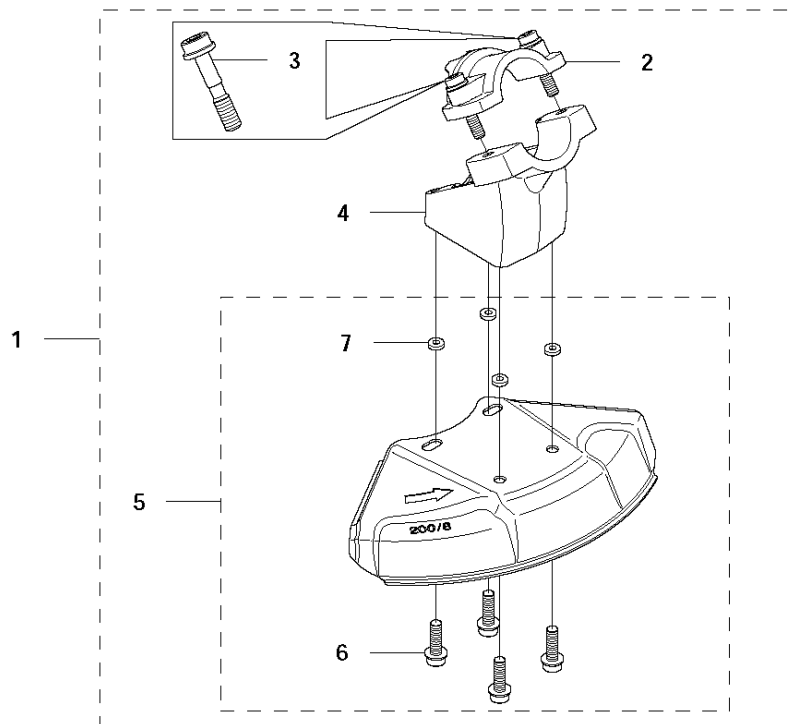
① 37
Set of gaskets
Dichtungssatz
Jeu de joints
Juego de juntas
Packningssats

CARBURETOR

BC2235

Ref	Part No	Description	Remark	QTY	KIT
1	575 72 90-01	CARBURETTOR	Zama C1Q-EL45	1	
2	503 47 92-01	SCREW		1	1
3	537 41 72-01	VALVE		1	1
4	544 37 24-01	SPRING		1	1
5	503 48 05-01	SCREW		1	1
6	503 97 43-01	COVER		1	1
7	504 10 56-01	DIAPHRAGM		1	1,37
8	537 02 04-01	GASKET		1	1,37
9	537 38 73-01	NOZZLE ASSY		1	1
10	503 48 01-01	SCREW		1	1
11	503 48 00-01	PIN RETAINING SCREW		1	1
12	503 66 59-01	LEVER		1	1
13	503 47 97-01	VALVE		1	1
14	537 02 03-01	SPRING		1	1
15	501 32 71-01	SHAFT ASSY		1	1
16	537 37 03-01	VALVE		1	1
17	503 48 18-01	SCREW		1	1
18	544 37 26-01	SPRING		1	1
19	544 37 25-01	LEVER		1	1
20	544 42 70-01	COLLAR		1	1
21	504 10 27-01	SHAFT ASSY		1	1
22	537 01 26-01	SPRING		1	1
23	537 01 25-01	BALL		1	1
24	503 48 13-01	STRAINER		1	1
25	503 47 90-01	SCREW		1	1
26	537 41 69-01	SCREW		1	1
27	537 41 70-01	LIMITER CAP		1	1
28	537 38 75-01	SCREW		1	1
29	537 38 52-01	CLIP		1	1
30	576 27 02-01	THROTTLE LEVER		1	1
31	537 02 00-01	DIAPHRAGM PUMP		1	1,37
32	537 02 01-01	GASKET		1	1,37
33	537 02 02-01	COVER		1	1
34	537 02 07-01	SCREW		1	1
35	503 48 11-01	PIECE		1	1
36	503 47 96-01	SCREW		1	1
37	531 00 45-52	GASKET KIT	Set of gaskets	1	

R1 BC 2235, CC 2235
ACCESSORIES

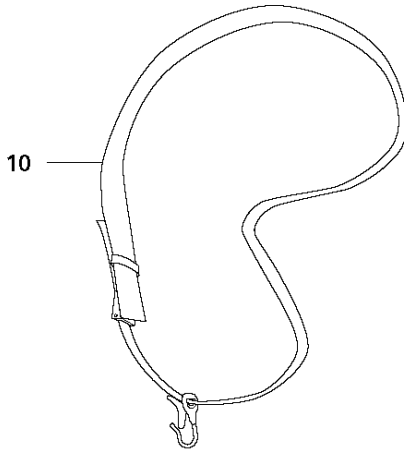
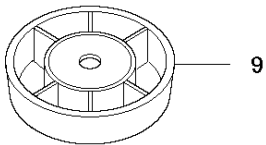
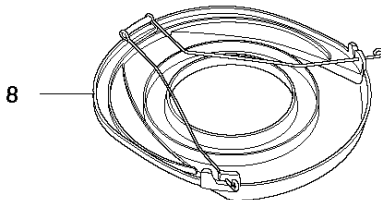
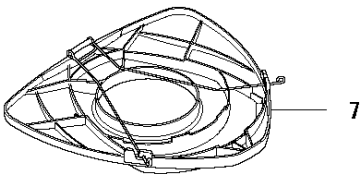
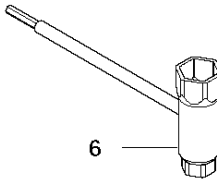
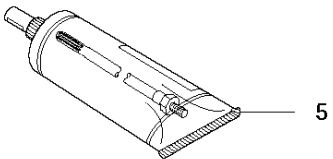
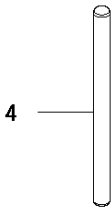
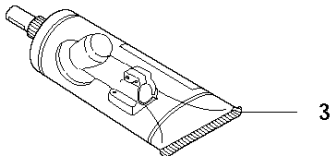
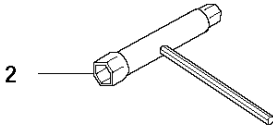
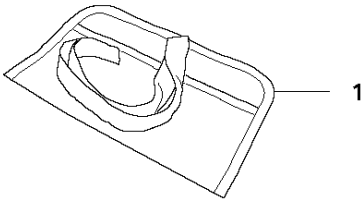


ACCESSORIES

BC2235

Ref	Part No	Description	Remark	QTY KIT	
1	501 32 04-02	SAW BLADE GUARD		1	
2	574 53 06-01	CLAMP	Spare part with Captive Screw	1	1
3	573 99 43-04	SCREW IHSCFMO	Captive Screw	2	1,2
4	501 32 08-01	ADAPTER		1	1
5	574 53 26-01	BLADE GUARD		1	1
6	503 20 02-16	SCREW IHSCFM		4	1,5
7	574 03 95-01	LOCK NUT		4	1,5
8	537 33 16-04	SPLASH GUARD		1	
9	537 39 63-04	SPLASH GUARD		1	8
10	503 79 88-01	BLADE		1	8,9
11	503 21 07-16	SCREW IHSCF		1	8,9
12	537 38 72-01	SNAP LOCKING		4	8,9
13	537 34 94-04	TRIMMER GUARD		1	
14	503 21 68-25	SCREW IHSCFT		1	13
15	503 79 88-01	BLADE		1	13
16	544 12 45-01	RETAINER		1	13

R2 BC 2235, CC 2235
ACCESSORIES

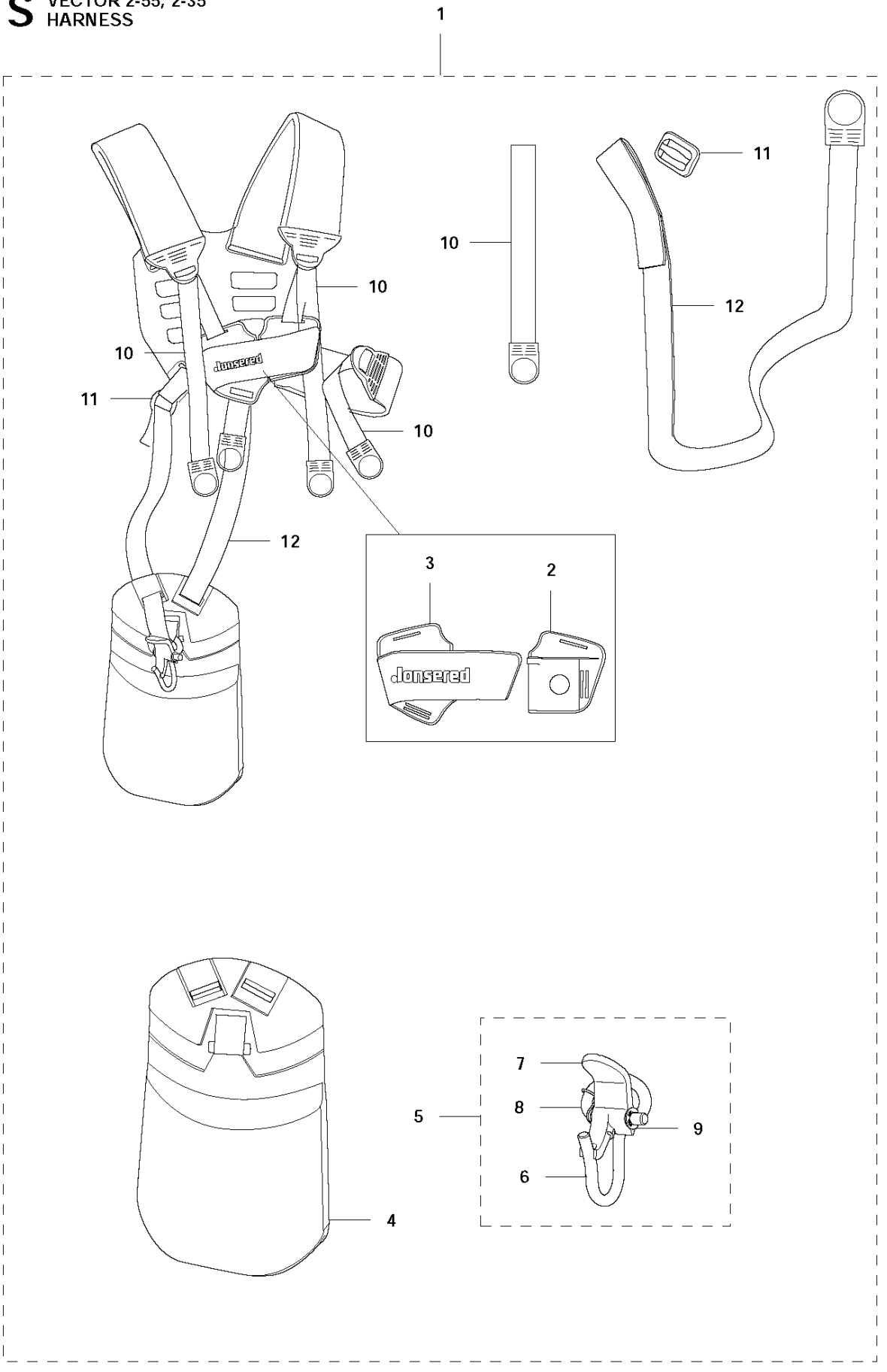


ACCESSORIES

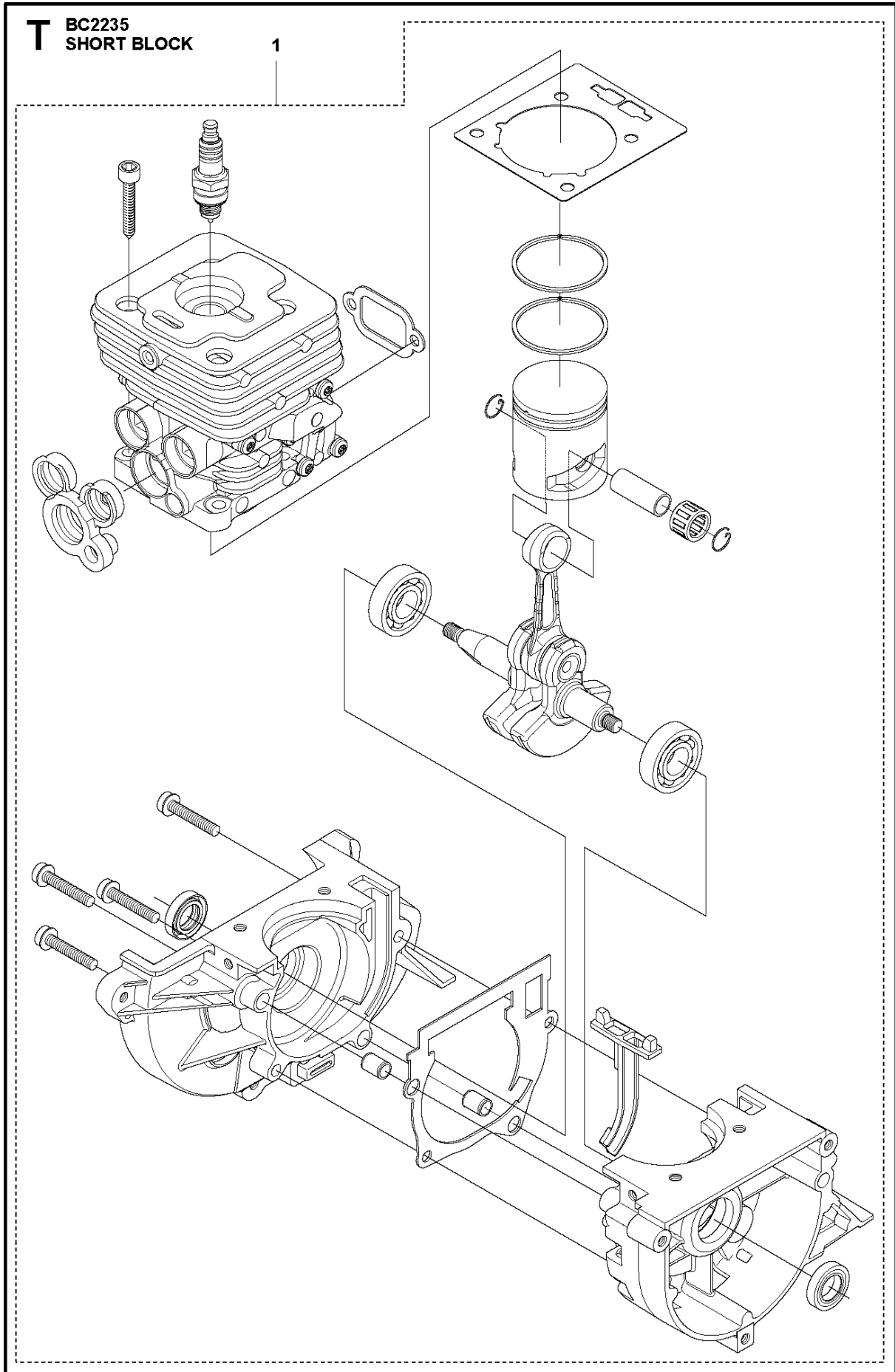
BC2235

Ref	Part No	Description	Remark	QTY KIT
1	501 19 22-01	TOOL		1
2	501 68 89-01	COMBINATION WRENCH		1
3	503 97 65-01	GREASE		1
4	502 28 59-01	STOP		1
5	503 80 17-01	GREASE		1
6	537 36 21-01	COMBINATION WRENCH		1
7	544 35 91-01	TRANSPORT GUARD		1
8	537 31 29-01	TRANSPORT GUARD		1
9	503 89 01-02	SUPPORT CUP		1
10	537 21 62-01	HARNESS		1
10	537 21 62-02	HARNESS	USA	1

S VECTOR 2-55, 2-35
HARNESS



Ref	Part No	Description	Remark	QTY KIT	
1	537 27 58-01	HARNES		1	
1	537 27 58-03	HARNES	US	1	
2	537 27 69-01	FRONT PIECE		1	1
3	537 27 70-01	FRONT PIECE		1	1
4	537 27 59-02	HIP PAD		1	1
5	502 02 28-01	HOOK		1	1
6	502 02 29-02	HOOK		1	1,5
7	502 02 30-02	LOCK		1	1,5
8	586 34 10-01	SPRING		1	1,5
9	735 31 09-20	E-CLIP		1	1,5
10	503 99 61-01	BAND		1	1
11	537 11 35-01	RETAINER		1	1
12	503 99 61-03	BAND		1	1



Ref	Part No	Description	Remark	QTY KIT
1	594 72 91-01	SHORT BLOCK ASSY	Assembled	1

Illustrated Parts List - IPL Update



Product Name(s)

BC2235

Description of change

New variant of ignition module with new spark plug cap.

Comments

Fully interchangeable.

Introduced from

Serial number / Date	Remark
2018-01	Ignition module

IPL updates

Page title	Ref. no	New part no	Name	Excl. part no.	Remark
Ignition system	3	544 12 70-02	Ignition module	544 12 70-01	



Previous spark plug cap



New spark plug cap