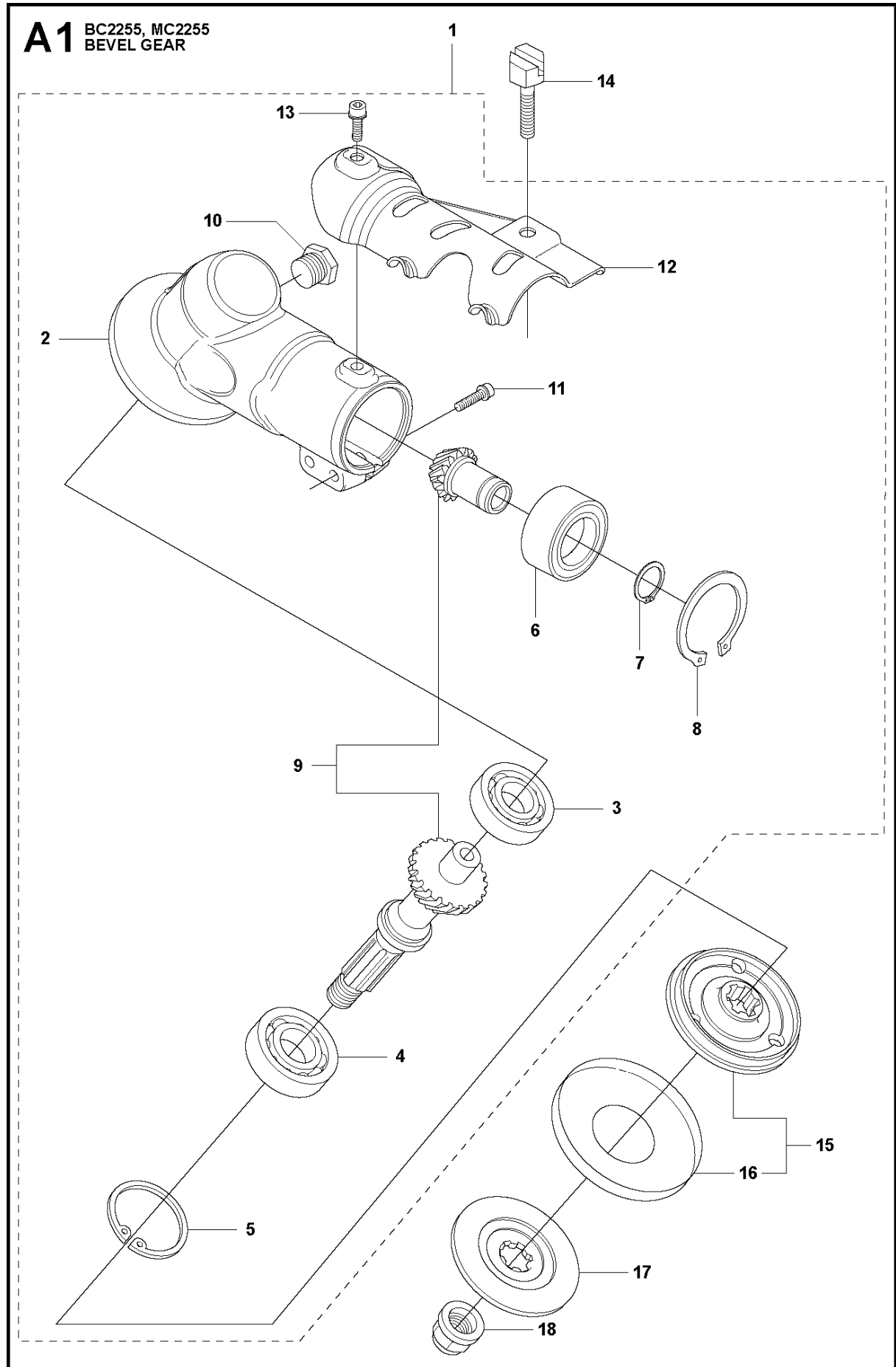




# SPARE PARTS LIST

BRUSHCUTTERS/CLEARING SAWS

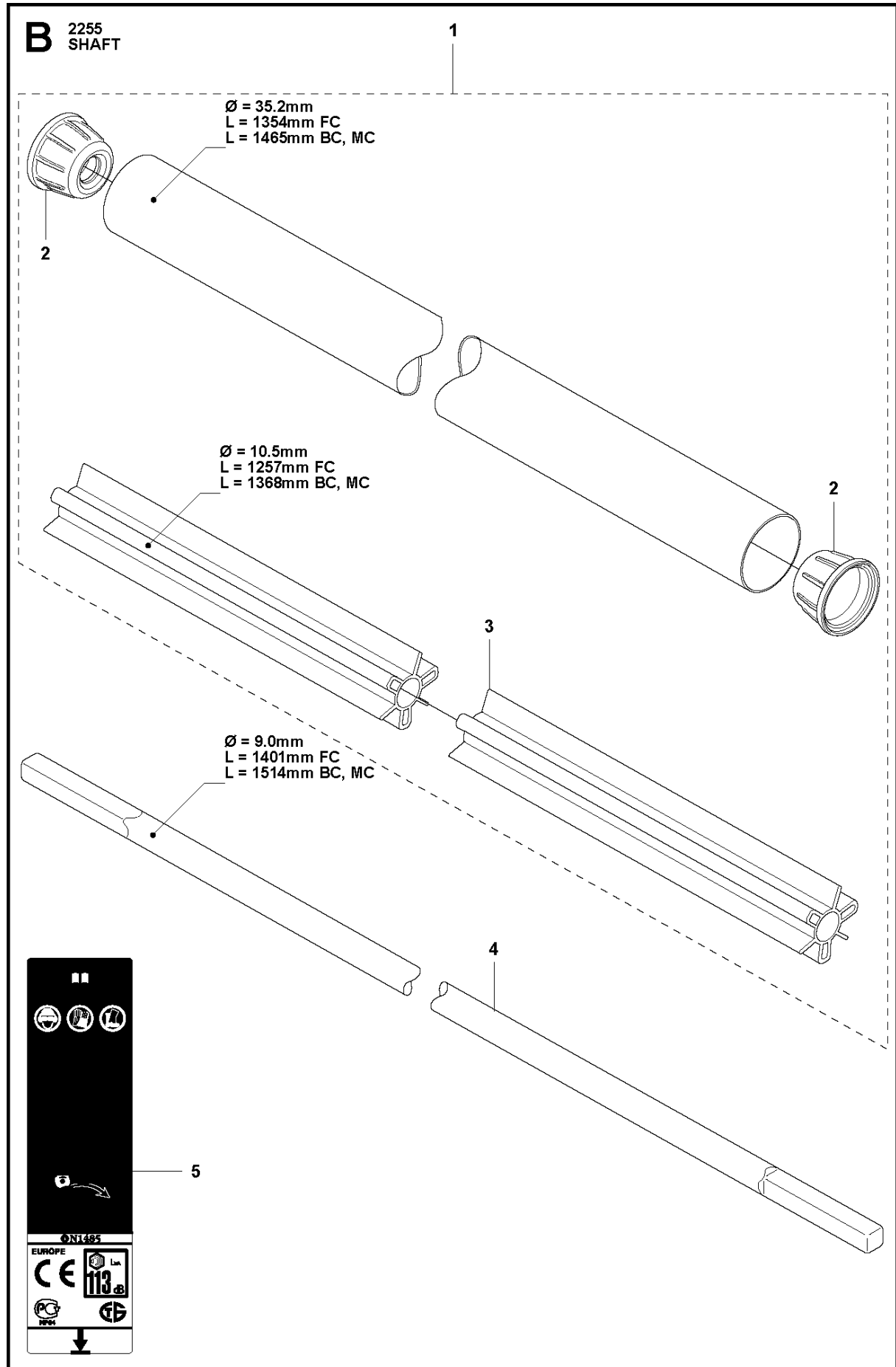
BC2255, 2019-07



## BEVEL GEAR

BC2255, 2019-07

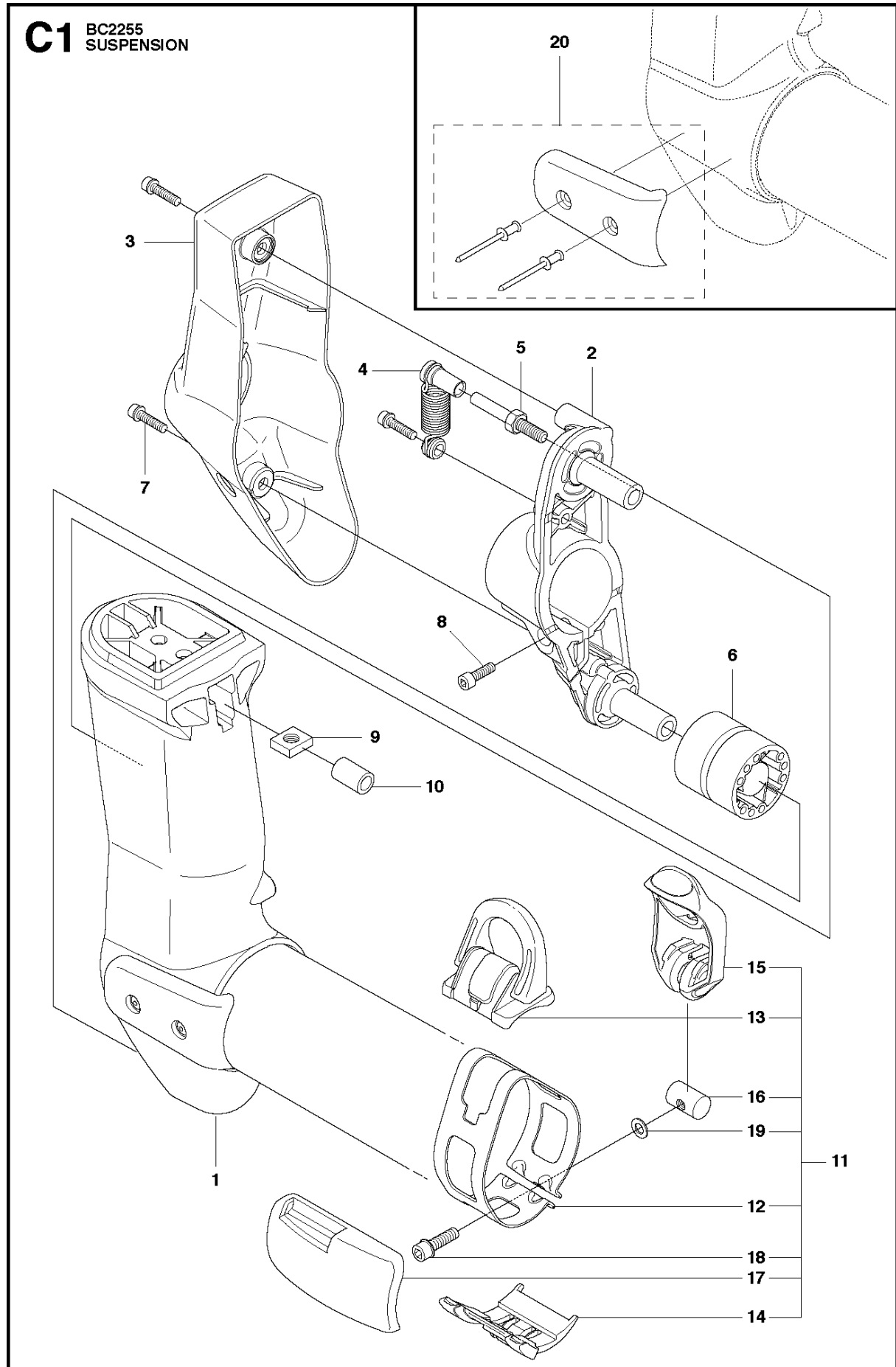
Ref	Part No	Description	Remark	QTY	KIT
1	537 42 84-05	BEVEL GEAR	Incl. Pos. 2-13	1	
2	537 42 85-01	GEAR HOUSING		1	1
3	738 21 01-10	BALL BEARING		1	1
4	503 25 25-01	BALL BEARING		1	1
5	735 31 33-10	CIRCLIP		1	1
6	503 25 18-01	BEARING		1	1
7	735 31 17-00	CIRCLIP		1	1
8	735 31 31-10	CIRCLIP		1	1
9	502 43 46-01	GEAR WHEEL KIT	Kit	1	1
10	503 20 15-01	SCREW		1	1
11	725 53 72-65	SCREW IHSCM		2	1
12	501 36 59-01	ATTACHMENT PLATE		1	1
13	503 20 07-76	SCREW IHSCFM		1	1
14	537 18 95-01	SCREW		1	
15	537 35 14-01	DRIVER	Incl. Pos. 16	1	
16	537 24 03-01	GRASS SEALING		1	15
17	544 21 78-01	SUPPORT FLANGE		1	
18	503 22 73-01	NUT		1	



## SHAFT

BC2255, 2019-07

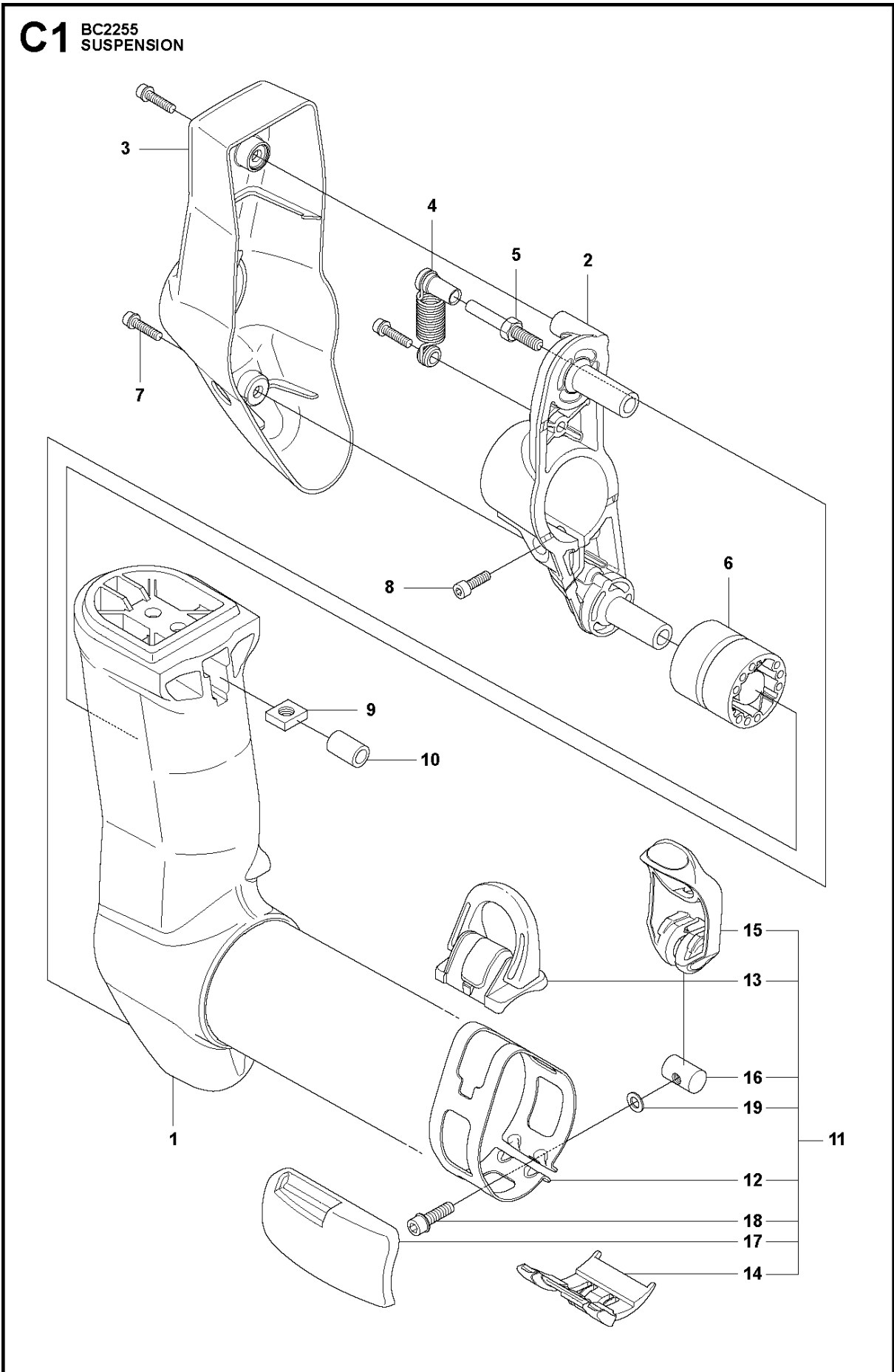
Ref	Part No	Description	Remark	QTY KIT	
1	502 25 94-03	TUBE	Incl. Pos. 2-3	1	
2	544 32 05-01	SPACER		2	1
3	544 86 85-02	BEARING SHAFT	L=1368mm, Ø=10.5mm	1	1
4	544 15 67-02	DRIVE SHAFT	L=1514mm, Ø=9.0mm	1	
5	537 29 47-10	LABEL		1	



## SUSPENSION

BC2255, 2019-07

Ref	Part No	Description	Remark	QTY	KIT
1	581 97 87-02	SUSPENSION		1	
2	544 37 83-01	RETAINER		1	
3	544 37 85-02	COVER		1	
4	506 06 88-01	SPRING		1	
5	544 36 77-01	PARALLEL PIN		1	
6	544 23 09-01	ANTIVIBRATION ELEMENT		2	
7	503 20 07-74	SCREW IHSCFM		3	
8	725 53 72-65	SCREW IHSCM		1	
9	502 19 71-01	SQUARE NUT		1	
10	503 85 73-02	COVER		1	
11	504 02 38-02	LOOP	Incl. Pos. 12-19	1	
12	537 39 57-01	BAND		1	11
13	537 20 18-03	LOOP		1	11
14	537 42 74-02	GUIDE RAIL		1	11
15	537 42 70-02	LEVER		1	11
16	537 42 73-01	NUT		1	11
17	544 25 07-02	WEAR PROTECTION		1	11
18	503 20 07-25	SCREW IHSCFM		1	11
19	503 23 00-11	WASHER		1	11
20	586 20 27-02	WEAR PROTECTION		1	

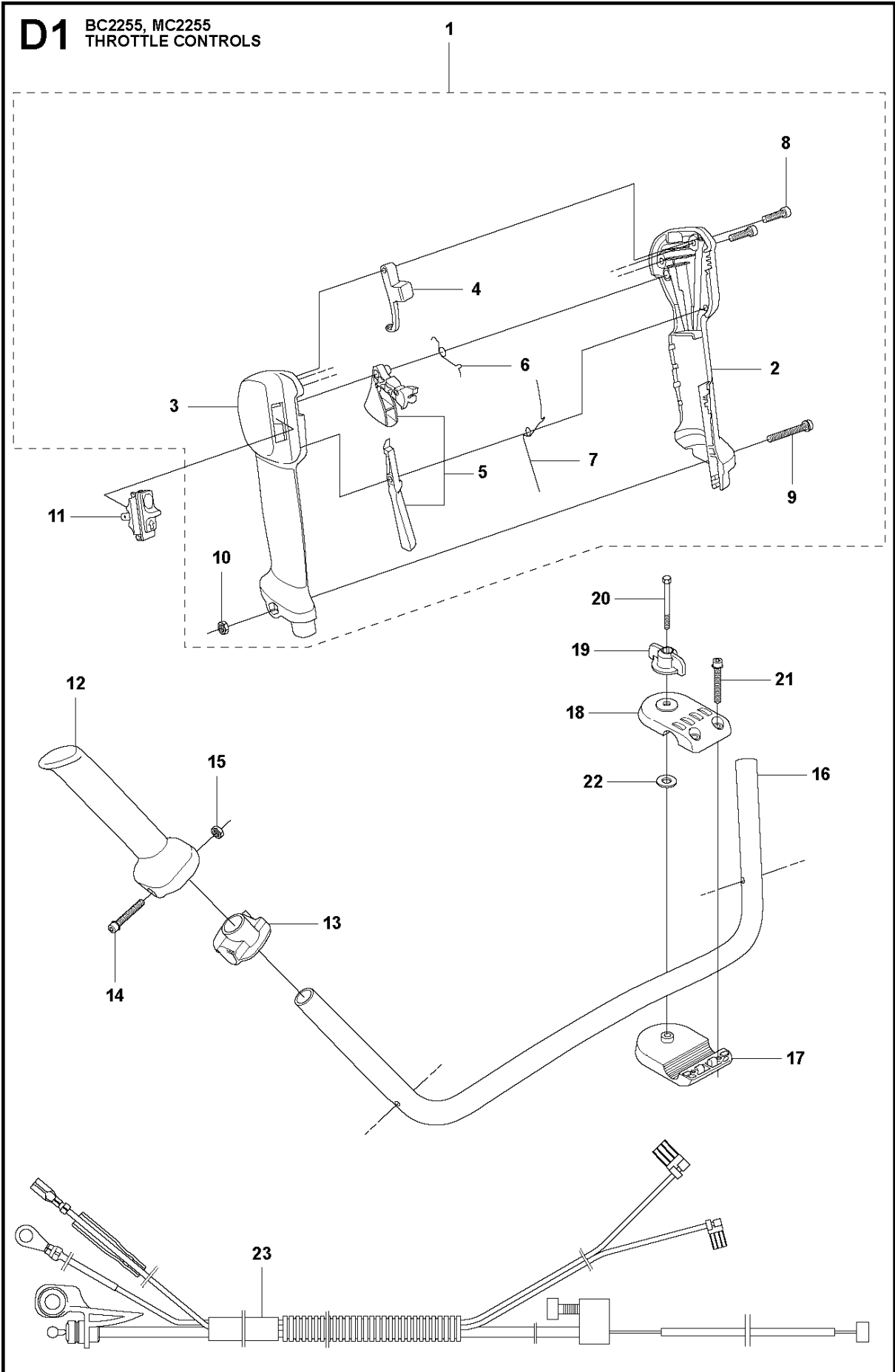




## SUSPENSION

BC2255, 2019-07

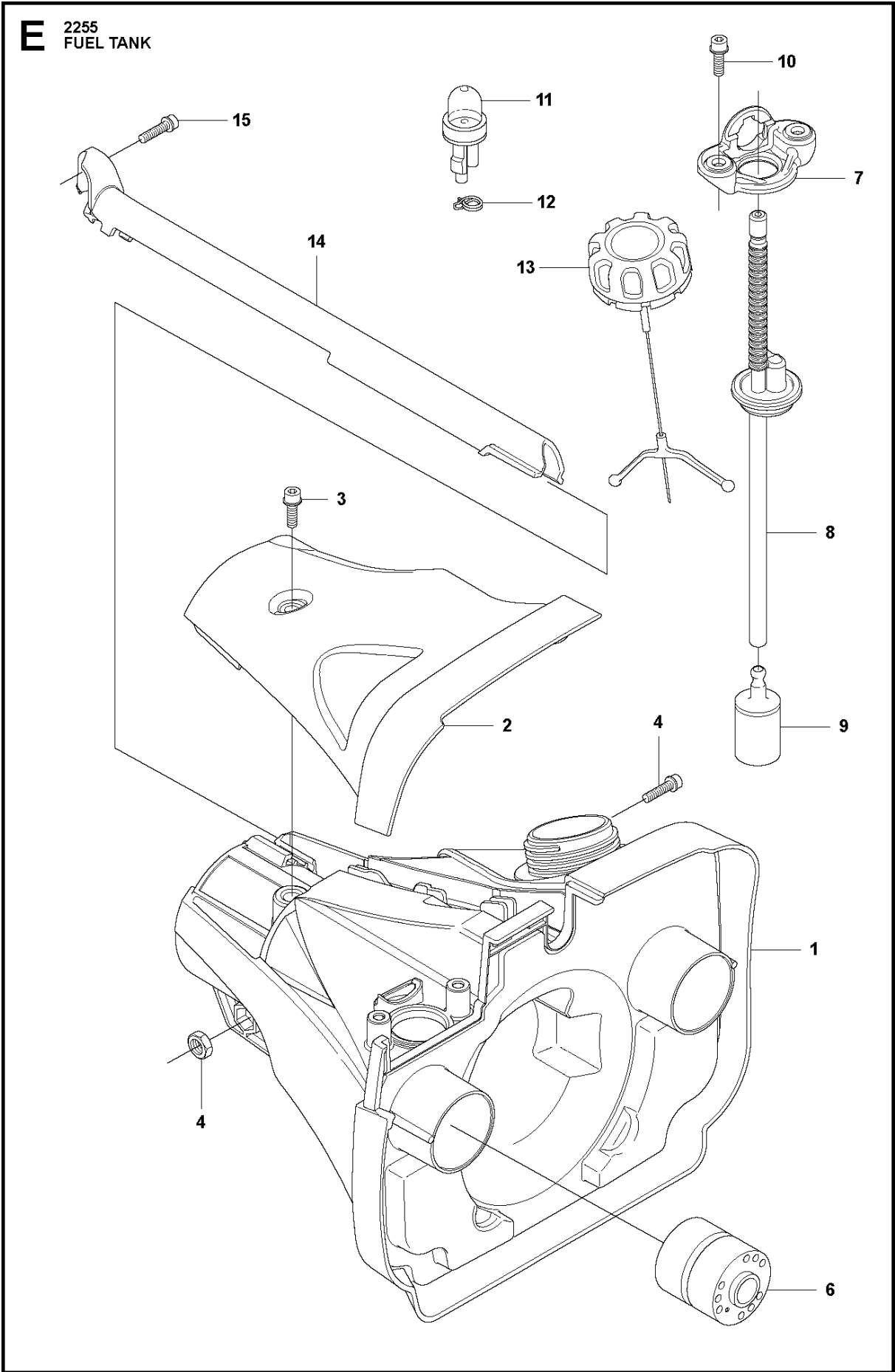
Ref	Part No	Description	Remark	QTY	KIT
1	544 40 16-02	SUSPENSION		1	
2	544 37 83-01	RETAINER		1	
3	544 37 85-02	COVER		1	
4	506 06 88-01	SPRING		1	
5	544 36 77-01	PARALLEL PIN		1	
6	544 23 09-01	ANTIVIBRATION ELEMENT		2	
7	503 20 07-74	SCREW IHSCFM		3	
8	725 53 72-65	SCREW IHSCM		1	
9	502 19 71-01	SQUARE NUT		1	
10	503 85 73-02	COVER		1	
11	504 02 38-02	LOOP	Incl. Pos. 12-19	1	
12	537 39 57-01	BAND		1	11
13	537 20 18-03	LOOP		1	11
14	537 42 74-02	GUIDE RAIL		1	11
15	537 42 70-02	LEVER		1	11
16	537 42 73-01	NUT		1	11
17	544 25 07-02	WEAR PROTECTION		1	11
18	503 20 07-25	SCREW IHSCFM		1	11
19	503 23 00-11	WASHER		1	11



## THROTTLE CONTROLS

BC2255, 2019-07

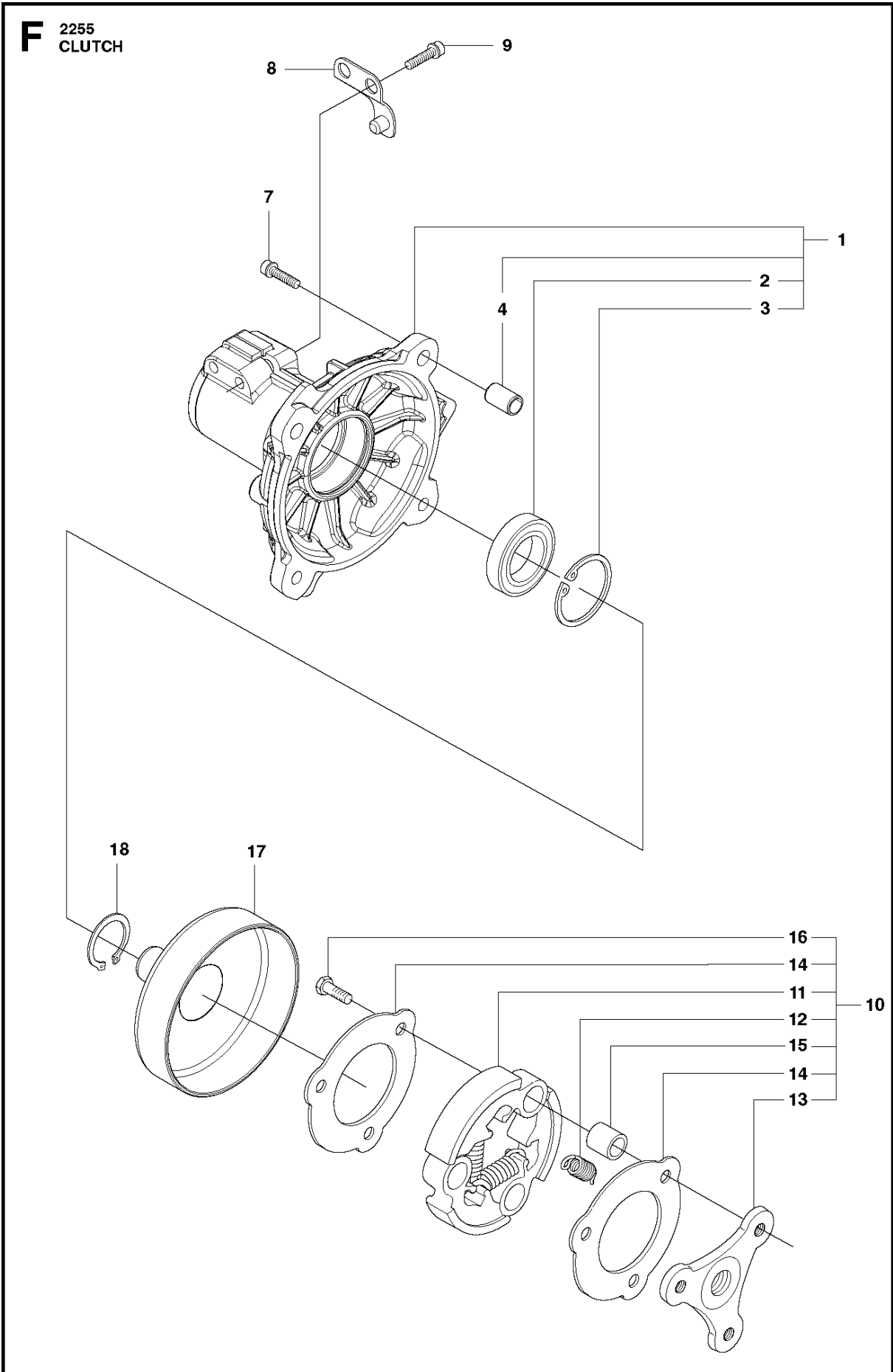
Ref	Part No	Description	Remark	QTY	KIT
1	504 20 98-05	THROTTLE HANDLE ASSY	Incl. Pos. 2-10	1	
2	537 18 08-12	HANDLE HALF		1	1
3	537 18 07-12	HANDLE HALF		1	1
4	537 16 07-02	STARTER THROTTLE LOC		1	1
5	506 49 77-02	THROTTLE CONTROL	Kit	1	1
6	537 17 42-01	SPRING THROTTLE TRIG		1	1
7	537 17 43-01	SPRING		1	1
8	503 21 66-18	SCREW IHSC T		2	1
9	503 20 07-35	SCREW IHSCFM		1	1
10	503 22 10-13	HEXAGON NUT		1	1
11	537 41 90-01	SWITCH		1	
12	537 17 28-09	HANDLE		1	
13	537 17 29-02	BRACKET		1	
14	503 20 02-45	SCREW IHSCFM		1	
15	731 23 14-05	HEXAGON NUT		1	
16	503 95 86-03	HANDLEBAR		1	
17	537 12 91-02	HANDLEBAR BRACKET		1	
18	537 12 90-02	HANDLEBAR BRACKET		1	
19	502 21 93-01	TURNING KNOB		1	
20	725 23 84-85	SCREW EHHM		1	
21	503 20 07-78	SCREW IHSCFM		2	
22	502 28 21-01	WASHER		1	
23	544 20 31-01	WIRING	BC, MC	1	
23	544 20 31-02	WIRING	FC	1	



## FUEL TANK

BC2255, 2019-07

Ref	Part No	Description	Remark	QTY KIT
1	537 35 88-02	FUEL TANK		1
2	537 35 86-02	COVER		1
3	503 20 07-72	SCREW IHSCFM		1
4	503 20 07-76	SCREW IHSCFM		1
5	503 22 10-12	HEXAGON NUT		1
6	544 23 09-01	ANTIVIBRATION ELEMENT		2
7	544 21 53-01	BRACKET		1
8	544 21 54-01	FUEL HOSE		1
9	503 44 32-01	FUEL FILTER		1
10	503 20 07-76	SCREW IHSCFM		2
11	503 93 66-01	PURGE		1
12	544 34 86-01	HOSE CLAMP		1
13	504 11 32-01	TANK CAP		1
14	544 10 95-03	WIRING PROTECTION	BC	1
14	544 10 95-04	WIRING PROTECTION	FC, FCW, MC	1
15	503 20 07-74	SCREW IHSCFM		1

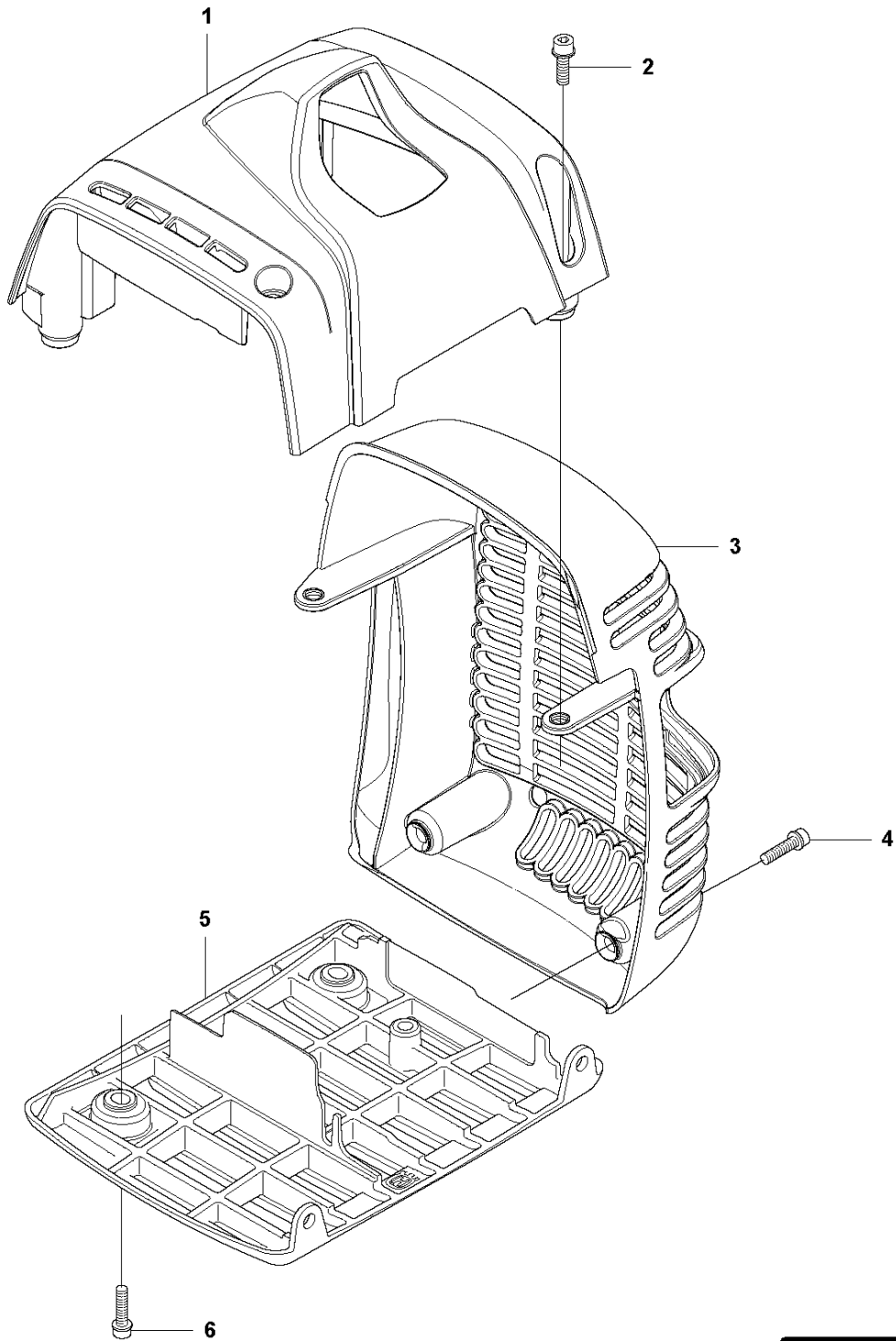


## CLUTCH

BC2255, 2019-07

Ref	Part No	Description	Remark	QTY KIT	
1	597 51 92-01	CLUTCH COVER ASSY	from s/n 20191600181- Incl. pos. 2-4	1	
1	597 51 92-02	CLUTCH COVER ASSY	up to s/n - 20191600180. Incl. pos. 2-4	1	
2	738 22 02-19	BALL BEARING		1	1
3	735 31 33-10	CIRCLIP		1	1
4	593 80 60-01	GUIDE BUSHING	from s/n 20191600181	2	1
4	597 37 11-01	SLEEVE	up to s/n - 20191600180	2	
7	503 20 07-78	SCREW IHSCFM		4	
8	544 29 48-01	LOCKING PLATE		1	
9	725 53 72-65	SCREW IHSCM		2	
10	537 40 40-02	CLUTCH ASSY	Incl. Pos. 11-16	1	
11	537 40 37-01	CLUTCH SHOE		1	10
12	505 43 53-01	CLUTCH SPRING	Ø 1.7 mm	3	10
13	537 40 36-01	CLUTCH HUB		1	10
14	544 89 28-01	WASHER		2	10
15	537 13 54-01	BEARING BUSH		3	10
16	503 20 18-02	SCREW EHHM		3	10
17	575 86 16-01	CLUTCH DRUM ASSY		1	
18	735 31 17-00	CIRCLIP		1	

**G1** 2255  
CYLINDER COVER



- 7 — BC 2255
- 7 — C 2255
- 7 — C 2255 W
- 7 — MC 2255

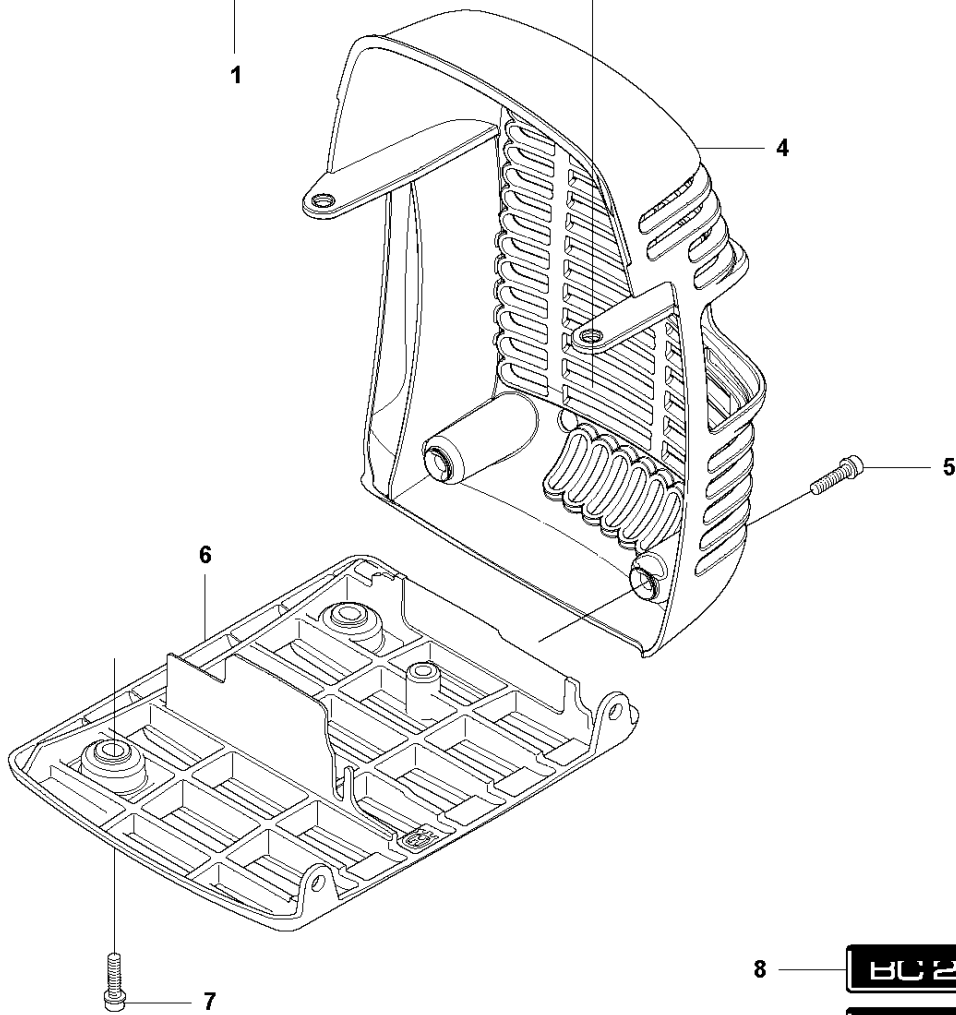
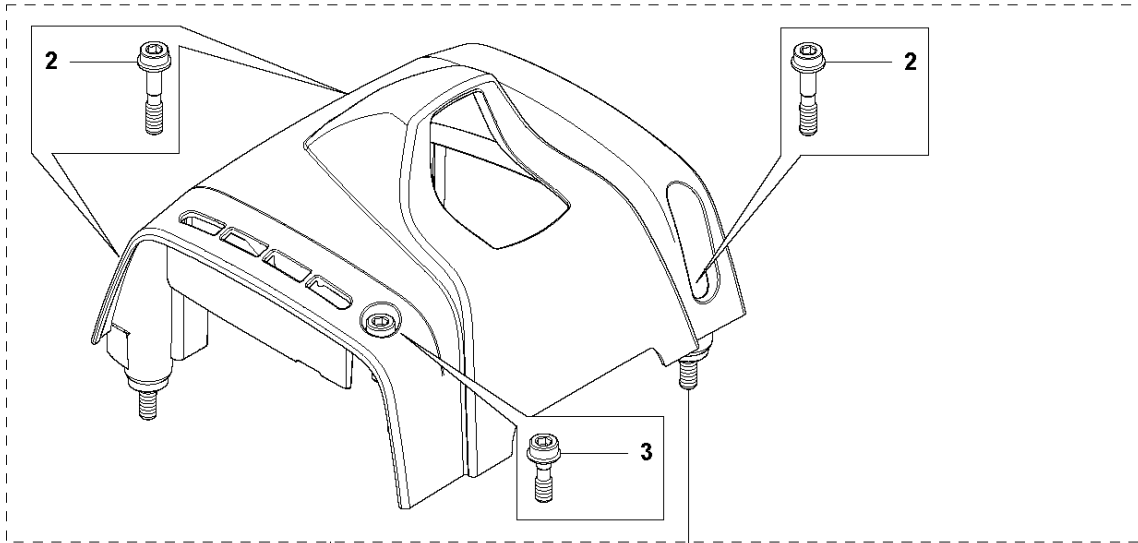


CYLINDER COVER

BC2255, 2019-07

Ref	Part No	Description	Remark	QTY KIT
1	544 32 61-01	CYLINDER COVER		1
2	503 20 07-76	SCREW IHSCFM		4
3	544 32 63-01	HEAT PROTECTOR		1
4	503 20 07-76	SCREW IHSCFM		2
5	505 49 26-02	PROTECTIVE COVER		1
6	503 20 07-76	SCREW IHSCFM		2
7	504 06 15-01	DECAL	FC	1
7	504 06 15-02	DECAL	FCW	1
7	504 06 15-03	DECAL	BC	1
7	504 06 15-04	DECAL	MC	1

**G2** 2255  
CYLINDER COVER



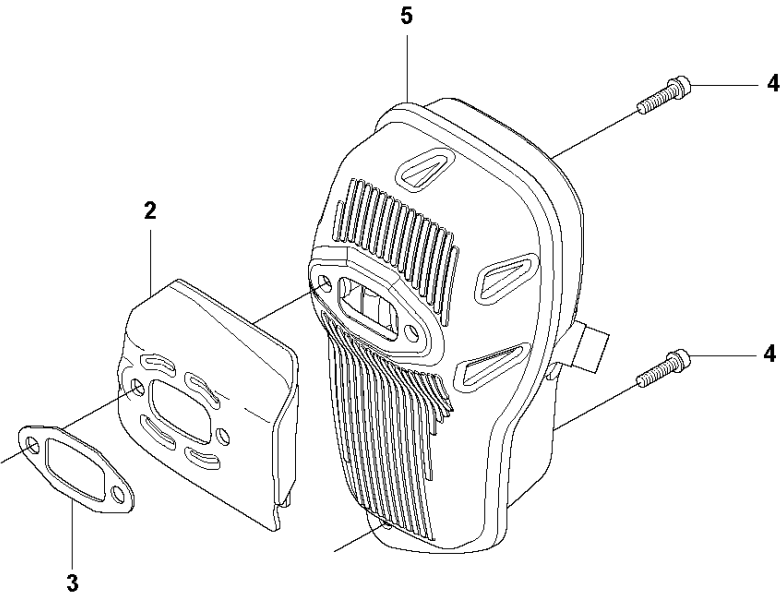
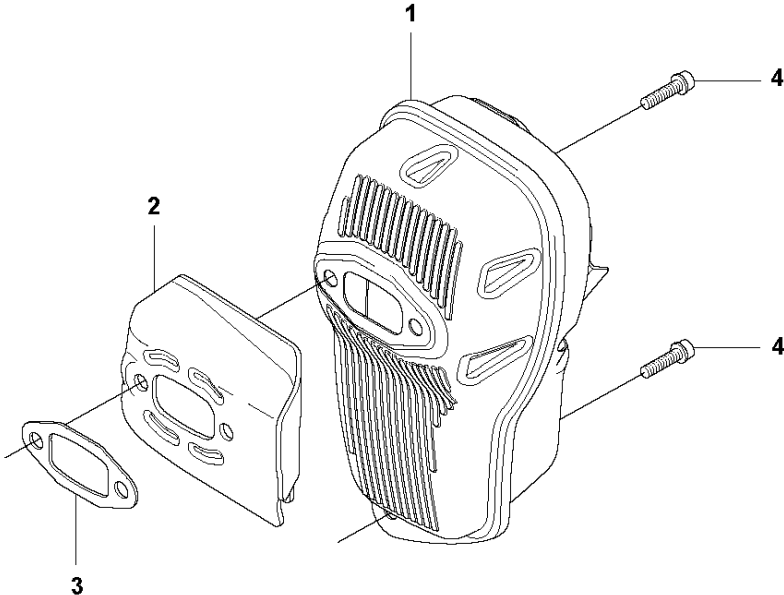
- 8 — **BC 2255**
- 8 — **C 2255**
- 8 — **C 2255 W**
- 8 — **MC 2255**

CYLINDER COVER

BC2255, 2019-07

Ref	Part No	Description	Remark	QTY	KIT
1	575 52 77-01	CYLINDER COVER ASSY	Spare part incl. Screws Pos. 2-3	1	
2	573 99 43-04	SCREW IHSCFMO	Captive Screw M5	3	1
3	573 99 43-01	SCREW IHSCFMO	Captive Screw M5	1	1
4	544 32 63-01	HEAT PROTECTOR		1	
5	503 20 07-76	SCREW IHSCFM		2	
6	505 49 26-02	PROTECTIVE COVER		1	
7	503 20 07-76	SCREW IHSCFM		2	
8	504 06 15-01	DECAL	FC	1	
8	504 06 15-02	DECAL	FCW	1	
8	504 06 15-03	DECAL	BC	1	
8	504 06 15-04	DECAL	MC	1	

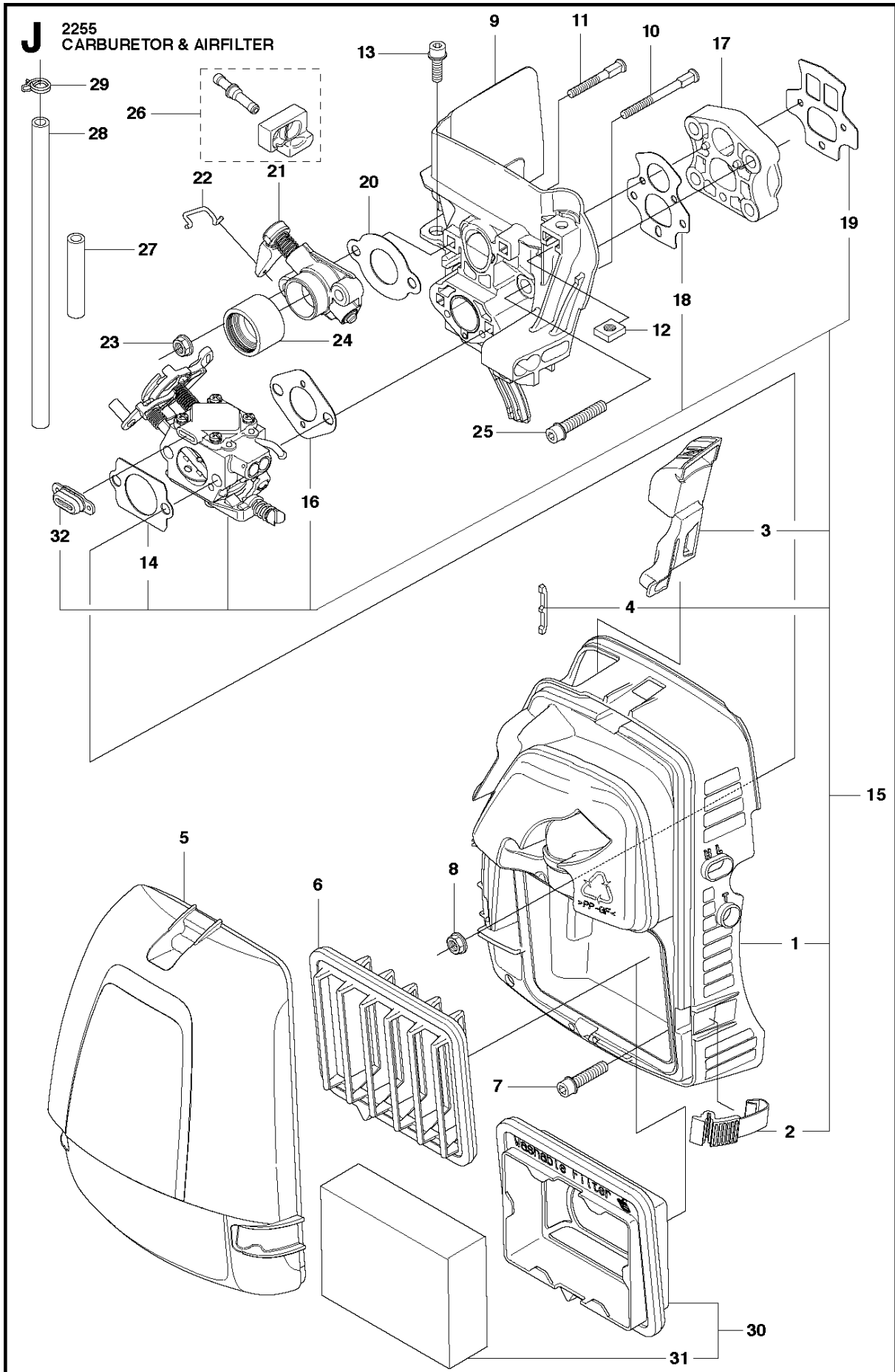
**H** 2255  
MUFFLER



MUFFLER

BC2255, 2019-07

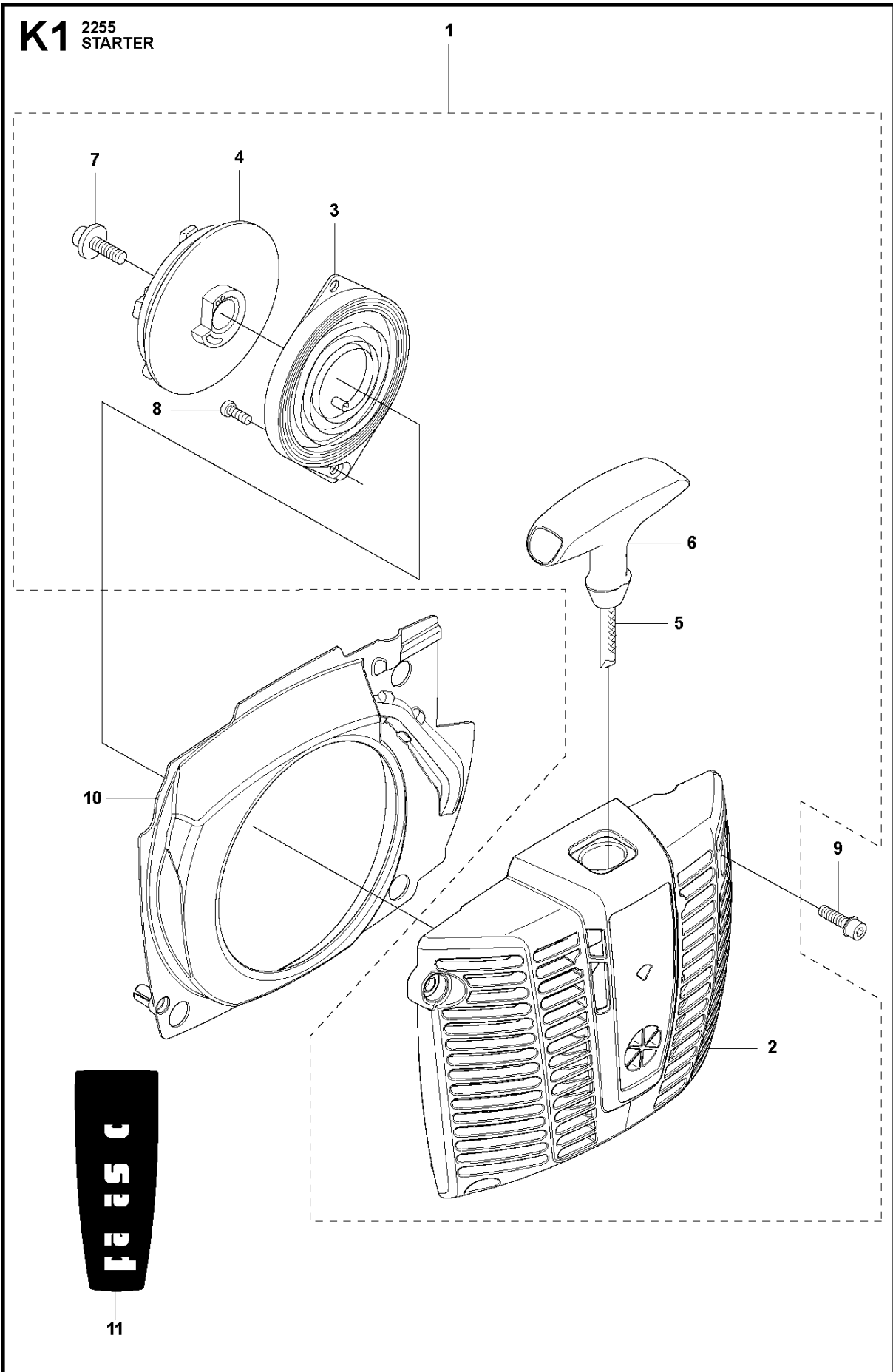
Ref	Part No	Description	Remark	QTY KIT
1	537 36 03-01	MUFFLER ASSY	Mesh	1
2	537 34 57-01	PLATE		1
3	503 82 11-01	GASKET		1
4	503 20 02-20	SCREW IHSCFM		3
5	504 03 79-01	MUFFLER	Pipe	1



## CARBURETOR &amp; AIR FILTER

BC2255, 2019-07

Ref	Part No	Description	Remark	QTY	KIT
1	544 32 62-03	FILTER HOLDER ASSY		1	15
2	503 74 01-03	SNAP LOCKING		3	1, 15
3	537 35 26-01	CHOKE CONTROL		1	1, 15
4	537 38 78-01	GROMMET		1	1, 15
5	544 27 86-01	FILTER COVER		1	
6	537 41 08-01	FILTER	Nylon 80/32 Winter	1	
6	537 41 08-02	FILTER	Nylon 44/27	1	
6	537 41 08-03	FILTER	Flock	1	
7	503 20 07-76	SCREW IHSCFM		2	
8	731 71 14-51	HEXAGON NUT FLANGE		2	
9	537 35 04-01	INSULATION WALL		1	
10	503 98 81-01	SCREW		2	
11	503 98 81-04	SCREW		2	
12	503 22 65-04	SQUARE NUT		1	
13	503 20 07-76	SCREW IHSCFM		1	
14	544 42 99-01	GASKET		1	15
15	586 15 41-01	CARBURETTOR KIT		1	
16	510 04 37-01	GASKET		1	15
17	544 04 33-01	MANIFOLD		1	
18	544 04 30-01	GASKET		1	15
19	544 04 31-01	GASKET		1	15
20	544 16 08-01	GASKET		1	
21	544 21 40-01	VALVE HOUSING		1	
22	544 84 78-01	LINK		1	
23	731 71 14-51	HEXAGON NUT FLANGE		2	
24	537 41 05-01	INLET PIPE		1	
25	503 20 07-80	SCREW IHSCFM		4	
26	544 16 15-01	GROMMET	Kit	1	
27	537 42 58-02	SUCTION HOSE		1	
28	544 32 49-14	FUEL HOSE		1	
29	544 34 86-01	HOSE CLAMP		1	
30	505 03 47-01	FILTER	BC, Incl. Pos. 31	1	
31	505 03 10-02	FILTER		1	30
32	577 96 93-01	SEALING PLUG		1	15

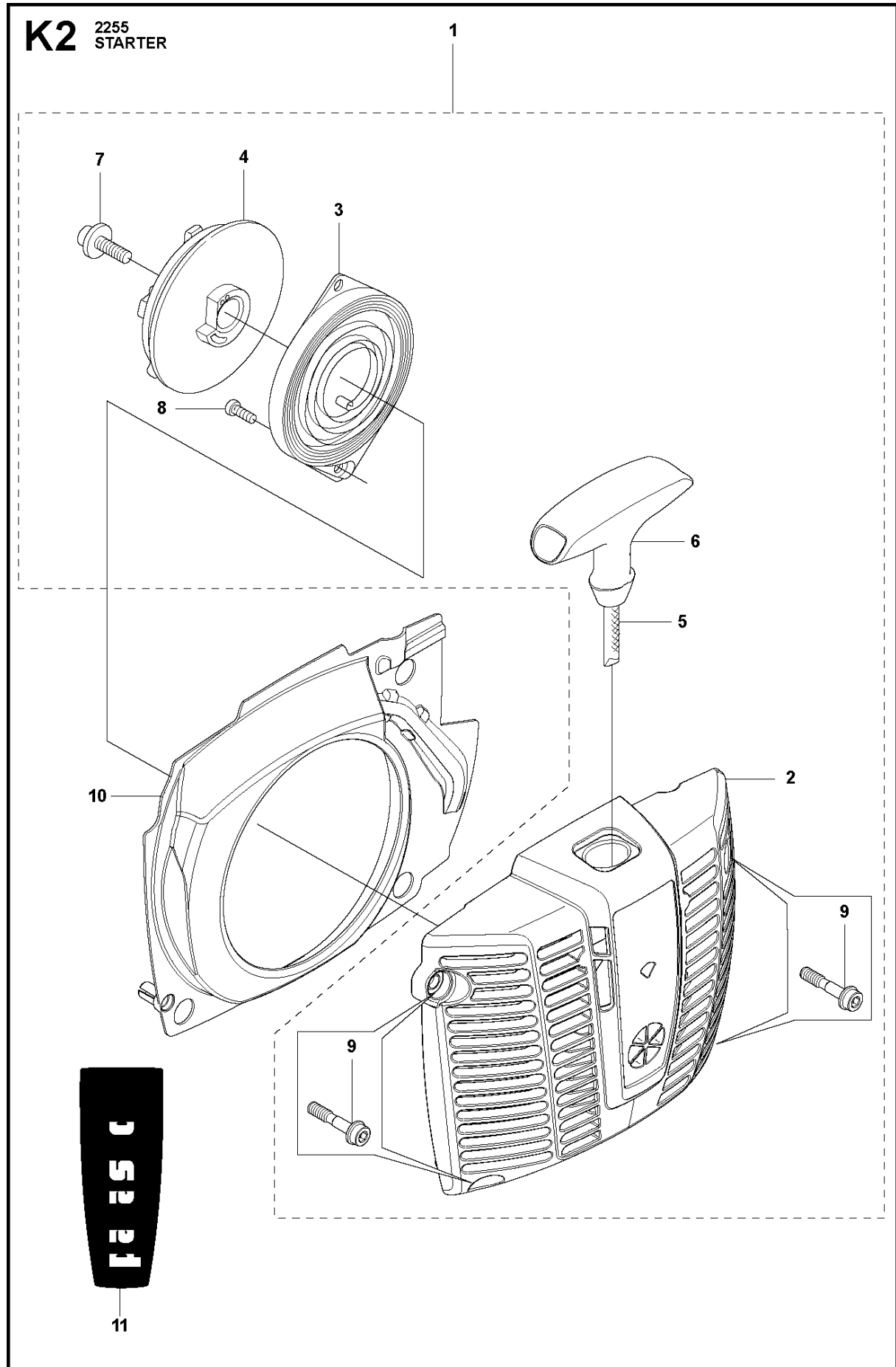




## STARTER

BC2255, 2019-07

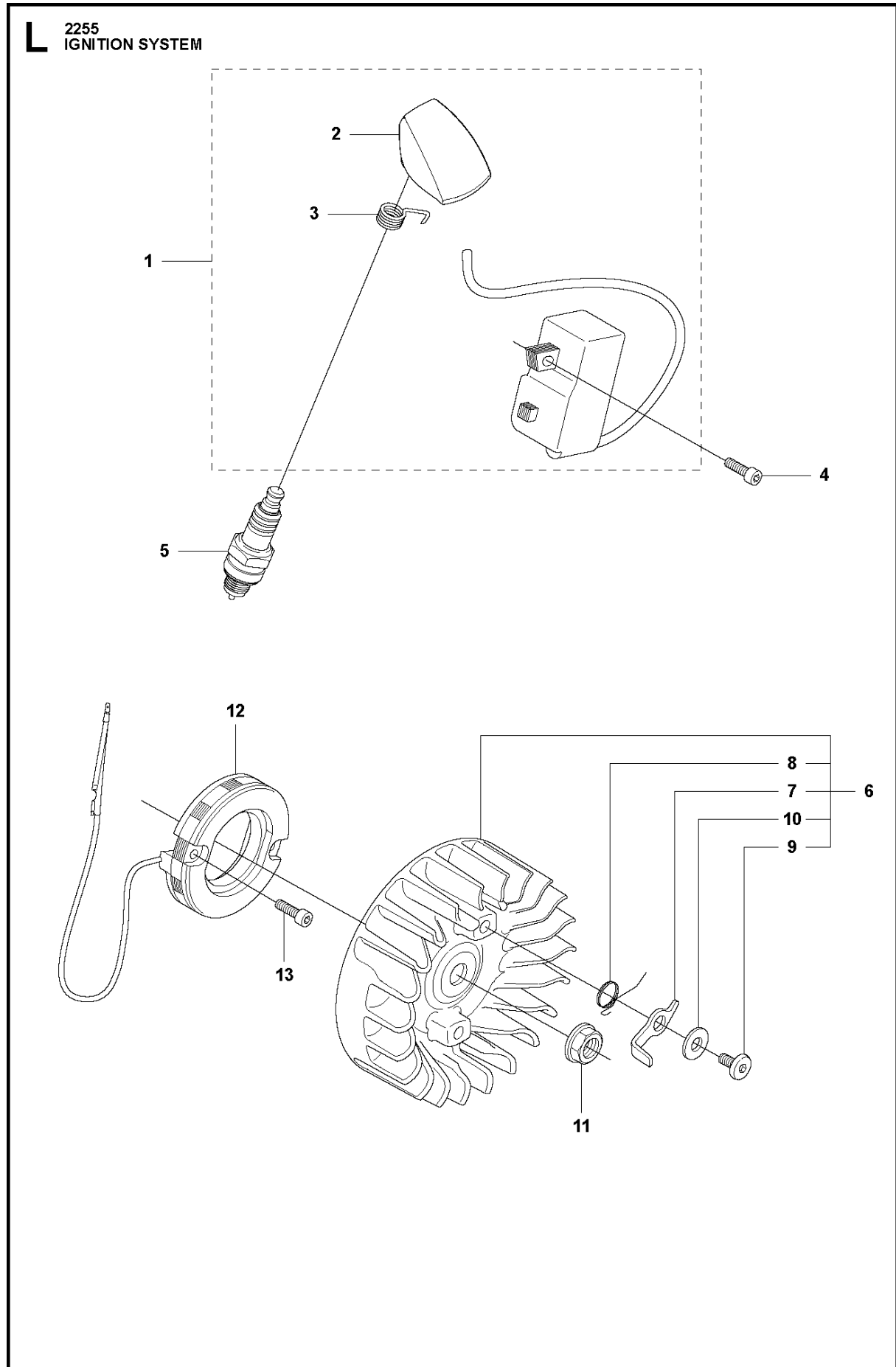
Ref	Part No	Description	Remark	QTY	KIT
1	544 32 59-01	STARTER	Incl. Pos. 2-8	1	
2	544 32 58-01	STARTER HOUSING		1	1
3	502 20 06-01	SPRING CASSETTE ASSY		1	1
4	503 95 73-01	STARTER PULLEY		1	1
5	505 30 51-25	STARTER CORD		1	1
6	544 37 65-01	STARTER HANDLE		1	1
7	503 21 69-16	SCREW IHST		1	1
8	503 21 29-06	SCREW CCRPANT		2	1
9	503 20 07-76	SCREW IHSCFM		4	
10	544 27 89-01	AIR CONDUCTOR		1	
11	504 06 14-01	DECAL		1	



## STARTER

BC2255, 2019-07

Ref	Part No	Description	Remark	QTY KIT	
1	575 52 79-01	STARTER ASSY	Incl. Pos. 2-9	1	
2	575 54 16-01	STARTER HOUSING	Spare part incl. Screws Pos. 9	1	1
3	502 20 06-01	SPRING CASSETTE ASSY		1	1
4	503 95 73-01	STARTER PULLEY		1	1
5	505 30 51-25	STARTER CORD		1	1
6	544 37 65-01	STARTER HANDLE		1	1
7	503 21 69-16	SCREW IH SCT		1	1
8	503 21 29-06	SCREW CCRPANT		2	1
9	573 99 43-04	SCREW IHSCFMO	Captive Screw M5	4	1, 2
10	544 27 89-01	AIR CONDUCTOR		1	
11	504 06 14-01	DECAL		1	

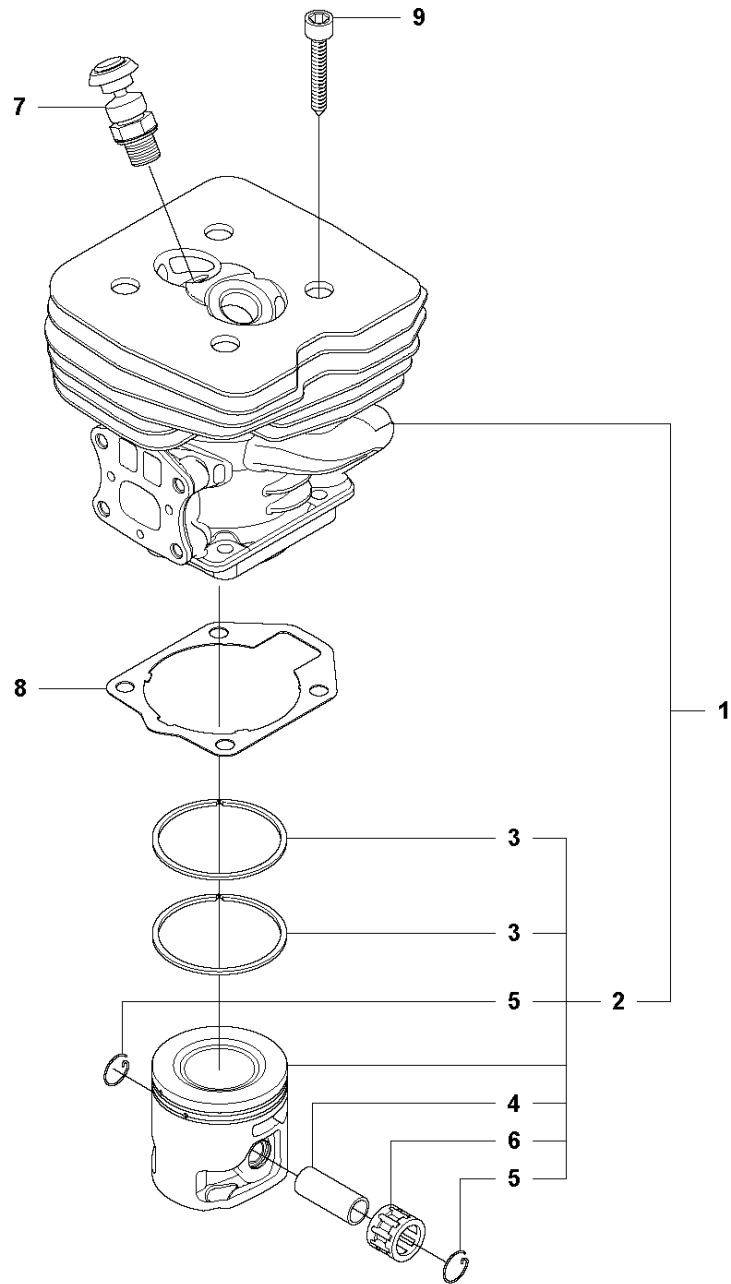


## IGNITION SYSTEM

BC2255, 2019-07

Ref	Part No	Description	Remark	QTY KIT	
1	504 70 87-01	IGNITION MODULE	Pos. 2-3	1	
2	544 30 70-01	SPARK PLUG CAP		1	1
3	501 48 56-01	CONTACT SPRING		1	1
4	503 20 25-16	SCREW IHSCM		2	
5	503 23 51-11	SPARK PLUG	NGK BPMR7A	1	
6	537 24 05-01	FLYWHEEL ASSY	BC, FC, MC Incl. Pos. 7-10	1	
6	537 24 05-02	FLYWHEEL ASSY	FCW Incl. Pos. 7-10	1	
7	503 81 24-01	STARTER PAWL		2	6
8	503 81 29-01	SPRING		2	6
9	501 81 99-03	SCREW		2	6
10	503 23 00-42	WASHER		2	6
11	503 22 04-01	NUT		1	
12	537 25 63-02	GENERATOR STATOR	FCW	1	
13	544 44 43-01	SCREW IHSCM	FCW	2	

**M** 2255  
CYLINDER & PISTON

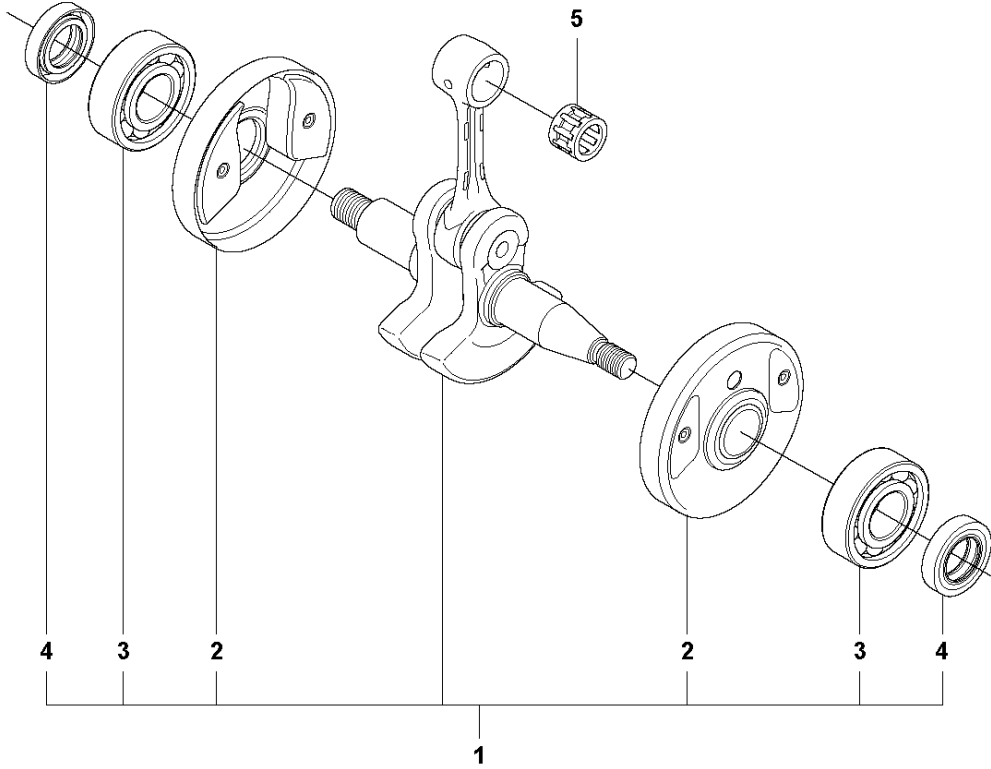


## CYLINDER PISTON

BC2255, 2019-07

Ref	Part No	Description	Remark	QTY	KIT
1	544 98 60-02	CYLINDER ASSY	Incl. Pos. 2-6	1	
2	576 95 48-01	PISTON ASSY	Incl. Pos. 3-6	1	1
3	502 65 39-01	PISTON RING		2	1, 2
4	505 49 57-01	PISTON PIN		1	1, 2
5	505 49 58-01	CIRCLIP		2	1, 2
6	501 45 16-01	NEEDLE BEARING		1	1, 2
7	544 20 00-01	DECOMPRESSION VALVE		1	
8	537 34 68-01	GASKET		1	
9	725 53 33-55	SCREW IHSCM		4	

**N** 2255  
CRANK SHAFT



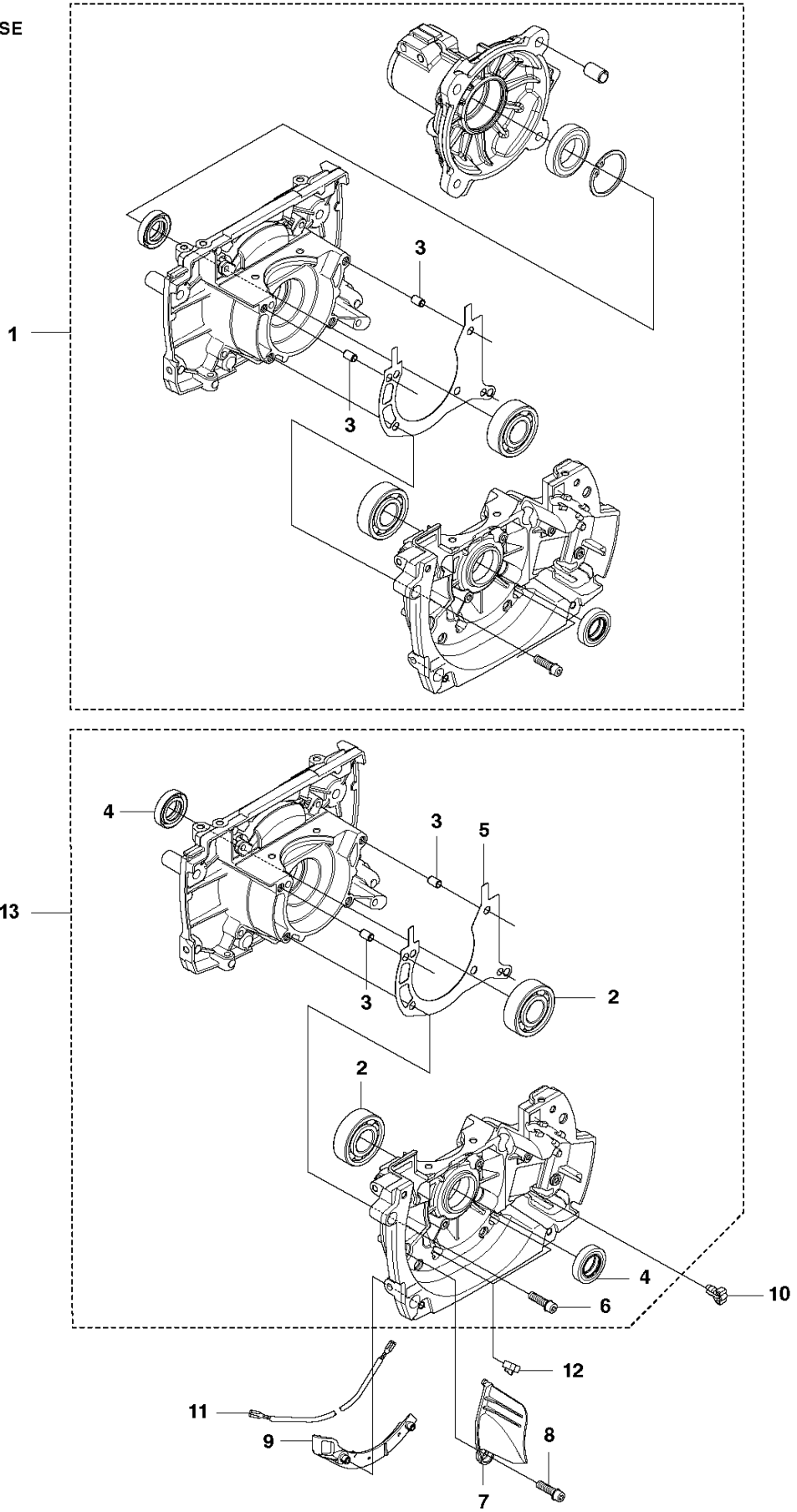


CRANKSHAFT

BC2255, 2019-07

Ref	Part No	Description	Remark	QTY KIT	
1	544 95 26-02	CRANKSHAFT	Incl. Pos. 2-4	1	
2	544 01 01-01	CUP		2	1
3	503 25 08-01	BEARING		2	1
4	503 26 02-04	SEALING RING		2	1
5	501 45 16-01	NEEDLE BEARING		1	

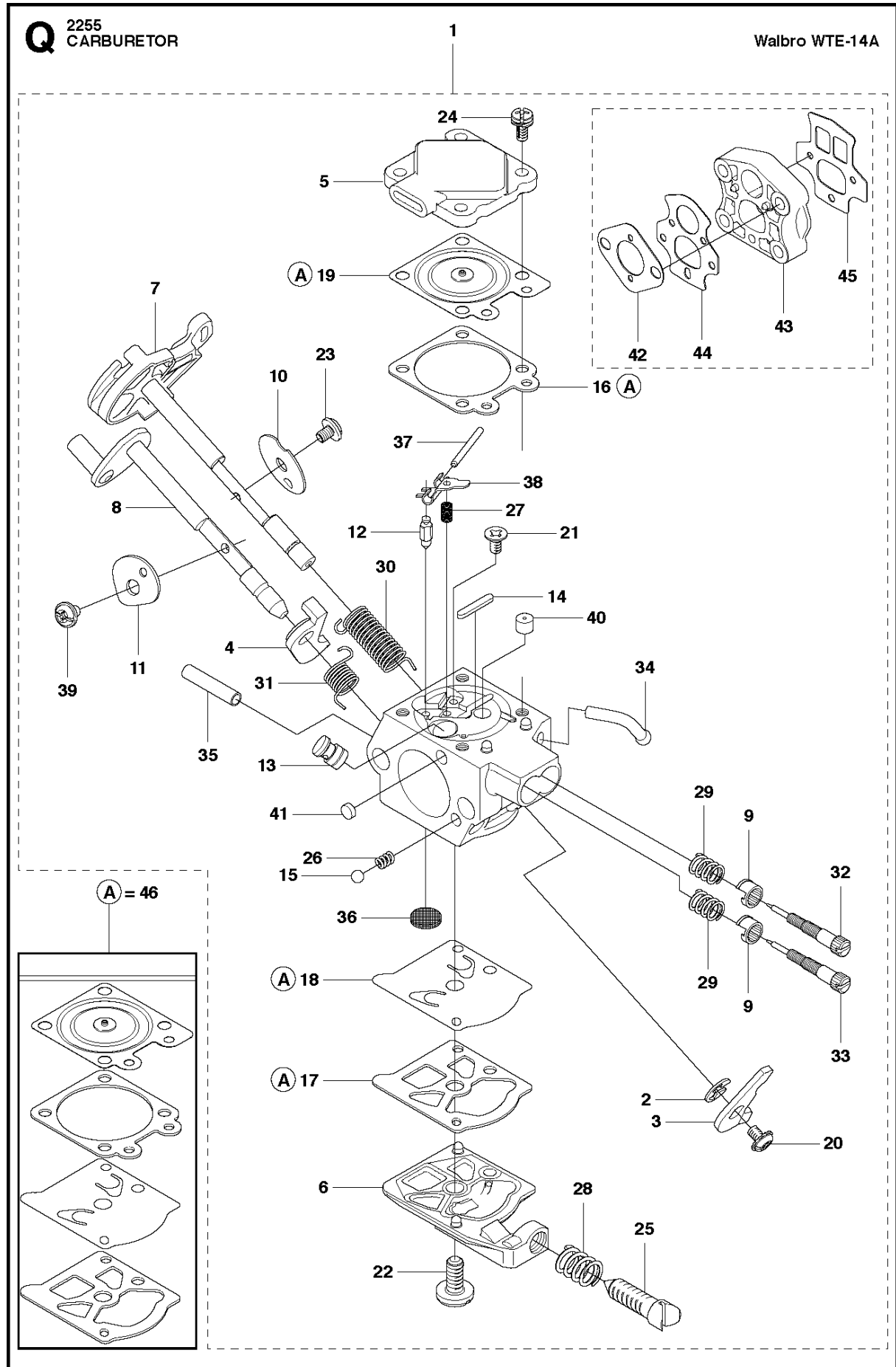
**P** 2255  
CRANKCASE



## CRANKCASE

BC2255, 2019-07

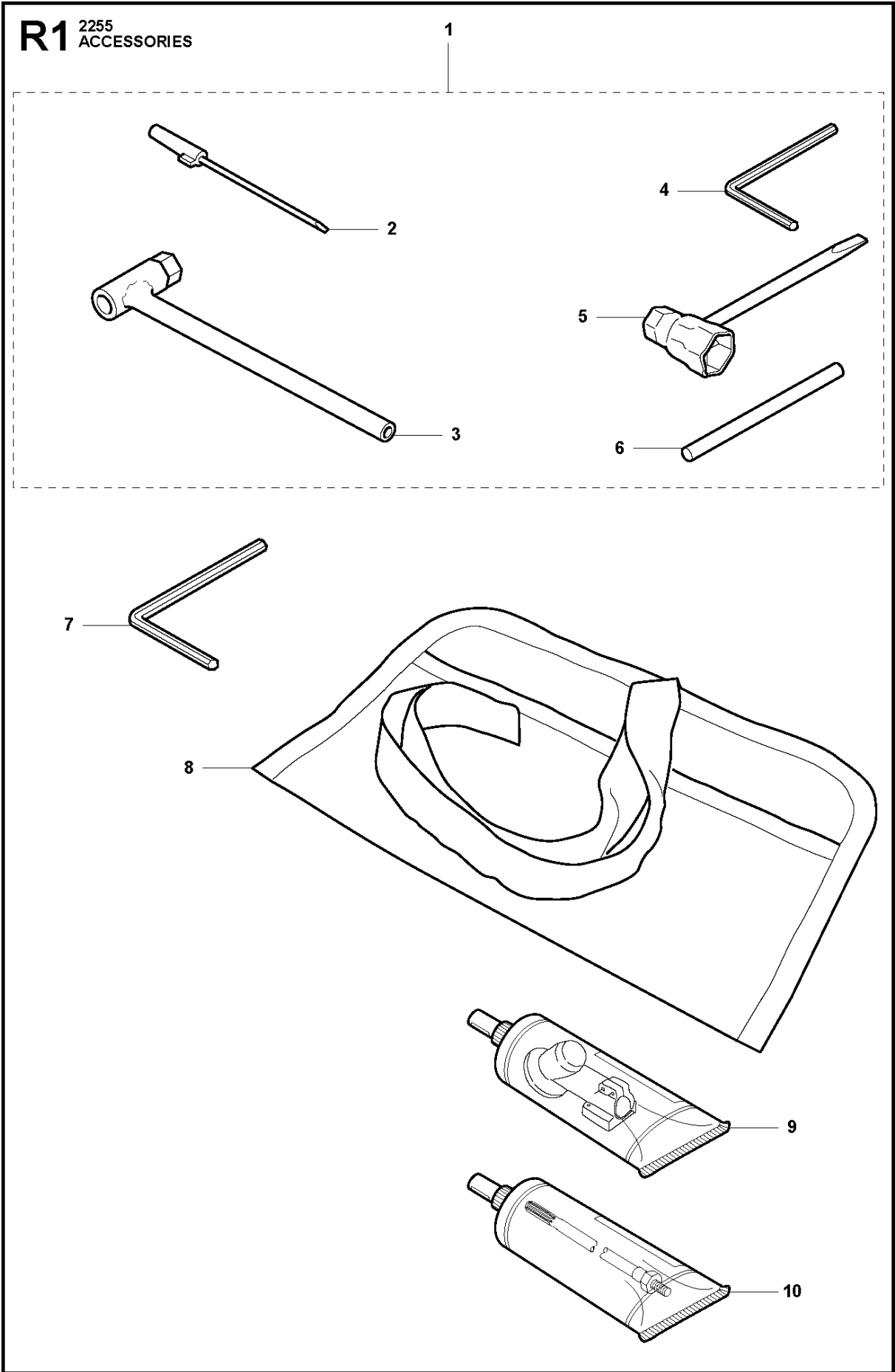
Ref	Part No	Description	Remark	QTY	KIT
1	503 91 15-01	CRANKCASE ASSY	up to s/n - 20191600180	1	
2	503 25 08-01	BEARING		2	13
3	593 80 60-01	GUIDE BUSHING	from s/n 20175100007 -	2	1,13
3	720 13 07-10	PARALLEL PIN	up to s/n - 20175100006	2	1,13
4	503 26 02-04	SEALING RING		2	13
5	590 18 23-01	GASKET	from s/n 20175100007 -	1	13
5	537 34 67-01	GASKET	up to s/n - 20175100006	1	13
6	503 20 02-30	SCREW IHSCFM		5	13
7	544 09 45-01	NOZZLE		1	
8	503 20 25-16	SCREW IHSCM		1	
9	544 09 44-01	CABLE HOLDER		1	
10	540 07 01-01	RETAINER		1	
11	544 33 18-01	SHORT CIRCUIT CABLE		1	
12	501 04 44-01	RETAINER		2	
13	544 95 25-03	CRANKCASE	from s/n 20191600181	1	



## CARBURETOR

BC2255, 2019-07

Ref	Part No	Description	Remark	QTY	KIT
1	510 24 20-01	CARBURETTOR	Walbro WTE7 Incl. Pos. 2-45	1	
2	505 31 67-36	RING		1	1
3	544 97 07-01	LEVER		1	1
4	544 17 77-01	LEVER		1	1
5	505 31 67-54	LOCK STYRMEMBRAN		1	1
6	503 58 43-01	COVER		1	1
7	544 04 36-01	SHAFT		1	1
8	544 04 40-01	SHAFT		1	1
9	544 97 08-01	LIMITER CAP		2	1
10	505 42 71-01	VALVE		1	1
11	537 10 96-01	VALVE		1	1
12	503 56 34-01	NEEDLE VALVE		1	1
13	502 84 68-01	NOZZLE ASSY		1	1
14	502 84 69-01	PLUG		1	1
15	501 46 85-01	BALL		1	1
16	504 35 09-06	GASKET		1	1, 42
17	504 13 09-06	GASKET		1	1, 42
18	502 21 36-01	DIAPHRAGM PUMP		1	1, 42
19	502 84 70-01	DIAPHRAGM		1	1, 42
20	501 46 87-01	SCREW		1	1
21	502 84 71-01	SCREW		1	1
22	501 46 69-01	SCREW		1	1
23	537 00 34-01	SCREW		1	1
24	503 10 87-01	SCREW		4	1
25	537 40 82-01	SCREW		1	1
26	501 46 84-01	SPRING		1	1
27	501 79 59-01	SPRING		1	1
28	501 66 78-01	SPRING		1	1
29	544 97 10-01	SPRING		2	1
30	544 17 76-01	SPRING		1	1
31	544 97 11-01	SPRING		1	1
32	502 84 72-01	NEEDLE		1	1
33	502 84 73-01	NEEDLE		1	1
34	544 97 15-01	FITTING		1	1
35	544 97 16-01	FITTING		1	1
36	501 66 61-01	SCREEN		1	1
37	505 52 01-25	PIN		1	1
38	502 84 74-01	LEVER		1	1
39	544 11 15-01	SCREW		1	1
40	505 42 69-01	JET		1	1
41	503 57 43-01	PLUG		1	1
42	TBD	TBD	Delivered with 510 24 20-01. Separate spare part, see page J.	1	
43	TBD	TBD	Delivered with 510 24 20-01. Separate spare part, see page J.	1	
44	TBD	TBD	Delivered with 510 24 20-01. Separate spare part, see page J.	1	
45	TBD	TBD	Delivered with 510 24 20-01. Separate spare part, see page J.	1	
46	515 99 96-01	KIT		1	

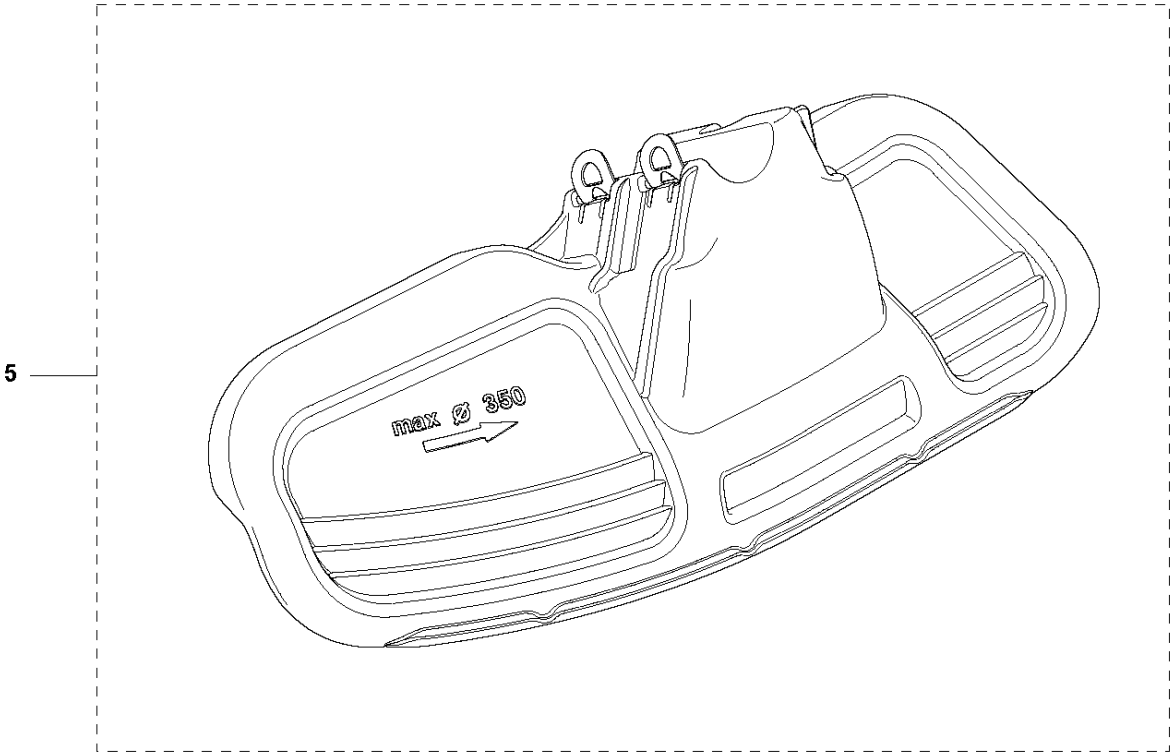
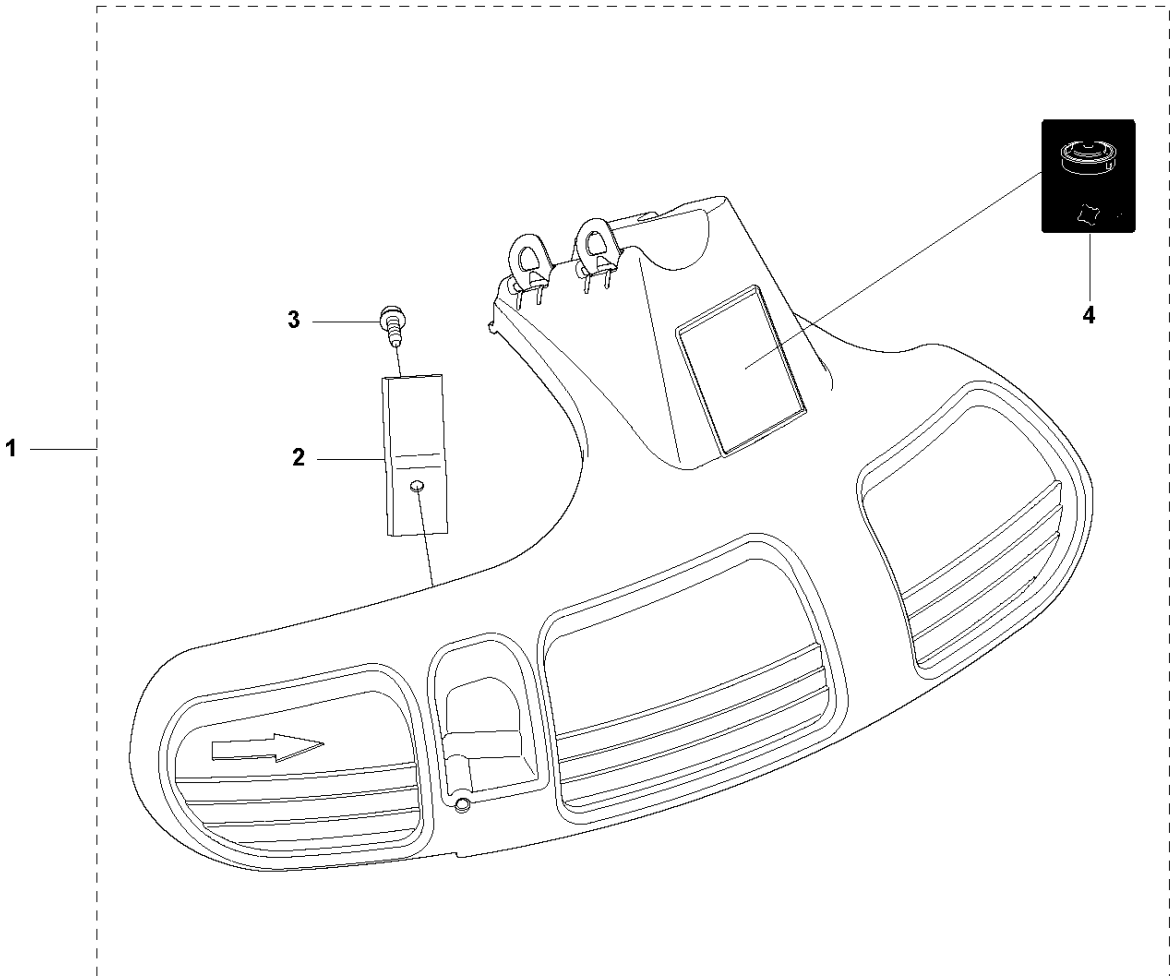


## ACCESSORIES

BC2255, 2019-07

Ref	Part No	Description	Remark	QTY	KIT
1	502 21 60-15	ACCESSORY BAG	Incl. Pos. 2-6	1	
2	501 60 02-03	SCREWDRIVER		1	1
3	502 11 46-03	KEY		1	1
4	502 21 58-01	WRENCH	4mm	1	1
5	501 69 17-01	COMBINATION WRENCH		1	1
6	502 28 59-01	STOP		1	1
7	503 55 86-05	SPANNER	5mm	1	
8	501 19 22-01	TOOL		1	
9	503 97 64-01	GREASE		1	
10	503 80 17-01	GREASE		1	

**R2** BC2255  
ACCESSORIES



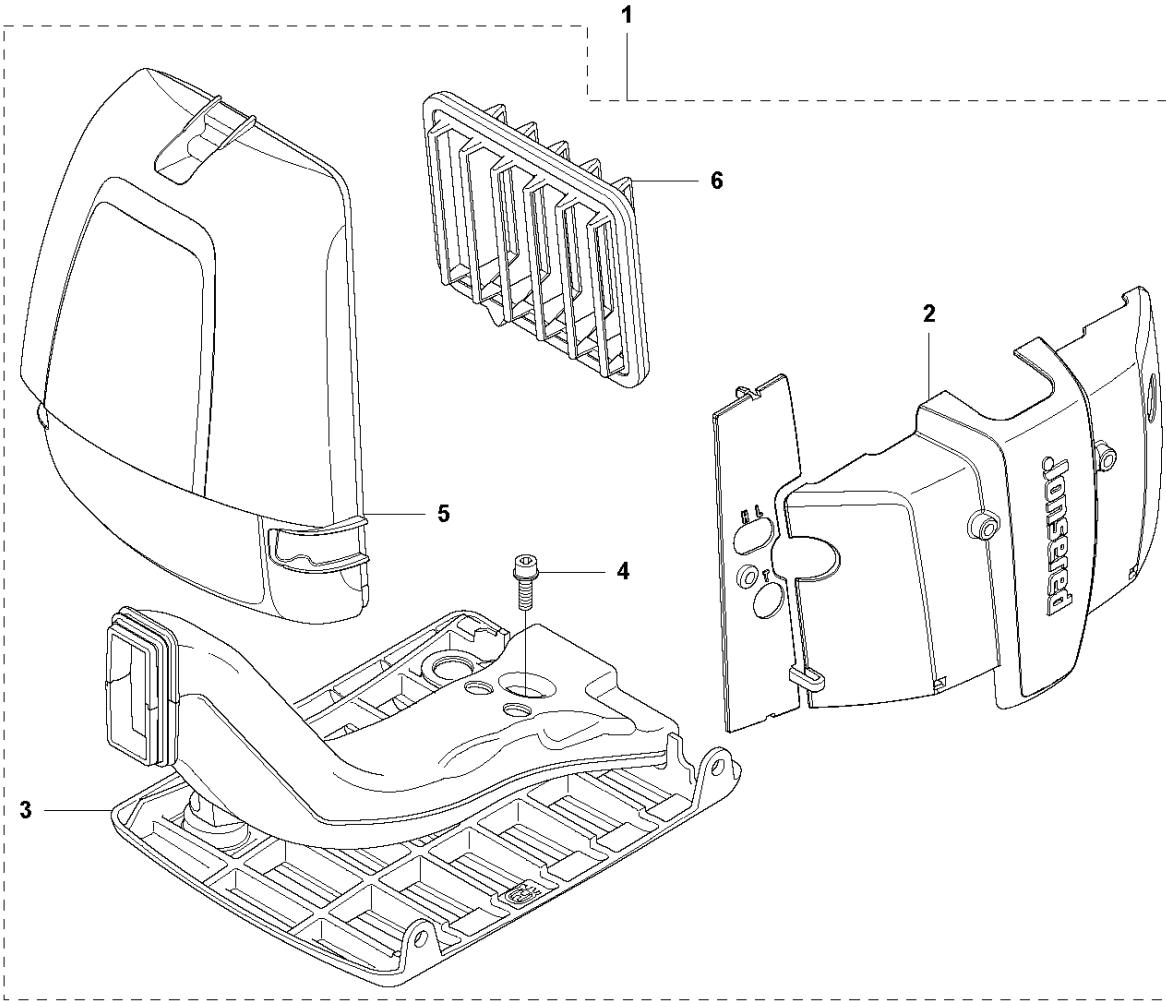
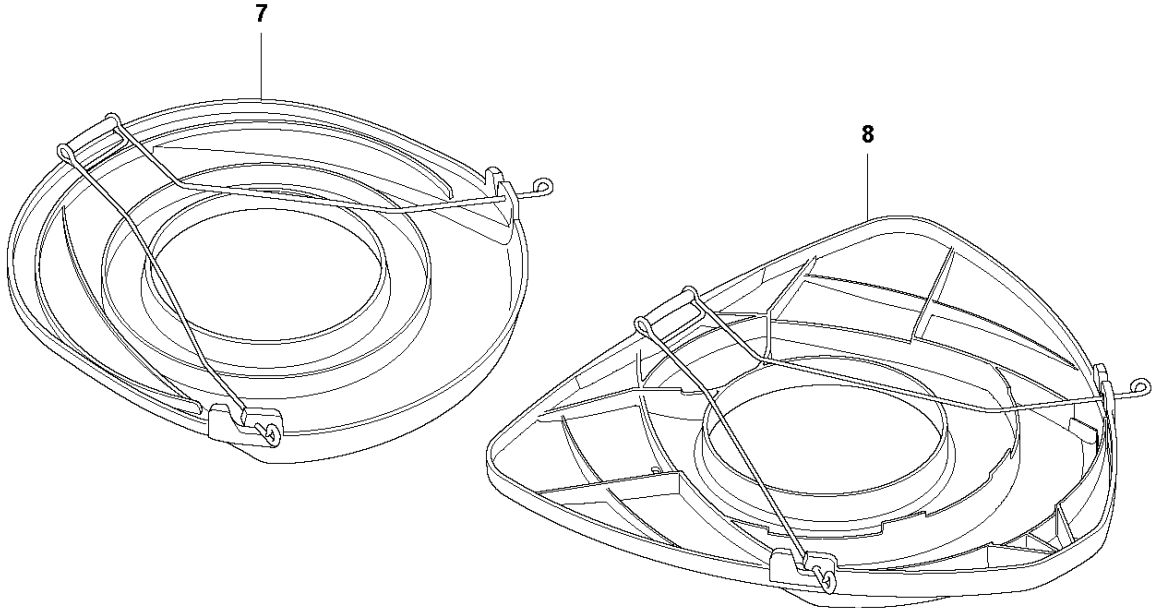


## ACCESSORIES

BC2255, 2019-07

Ref	Part No	Description	Remark	QTY	KIT
1	544 10 74-04	TRIMMER GUARD	BC Incl. Pos. 2-4	1	
2	537 28 53-01	BLADE		1	1
3	503 21 07-16	SCREW IHSCT		1	1
4	503 74 29-01	DECAL		1	1
5	544 16 03-02	GRASS BLADE GUARD	BC	1	

**R4** 2255  
ACCESSORIES

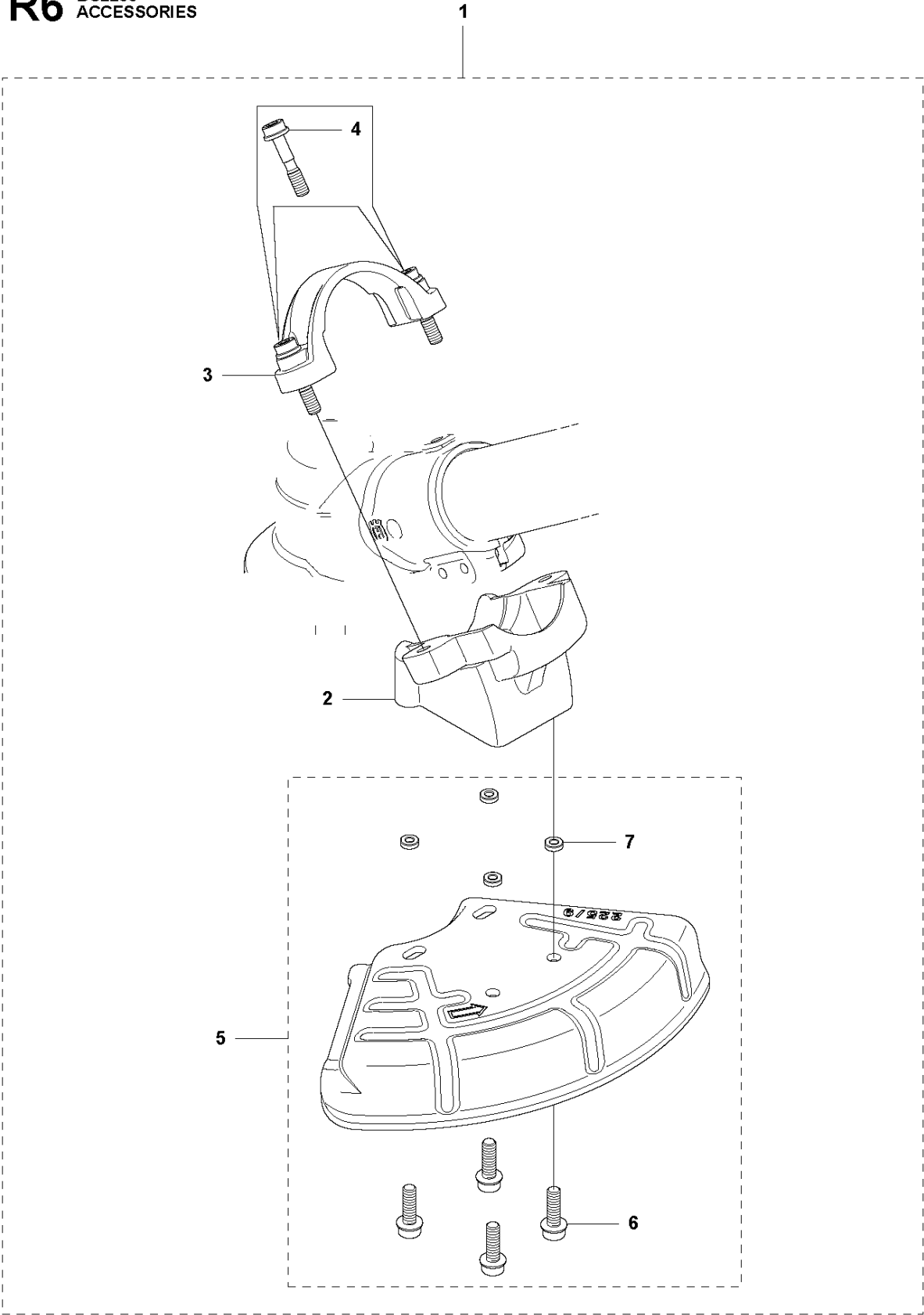


## ACCESSORIES

BC2255, 2019-07

Ref	Part No	Description	Remark	QTY	KIT
1	502 43 58-02	WINTER KIT	Winter kit Incl. Pos. 2-6	1	
2	544 96 16-01	WINTER COVER		1	1
3	537 35 10-01	AIR DUCT		1	1
4	503 21 07-16	SCREW IHSC T		1	1
5	544 87 03-01	COVER		1	1
6	537 41 08-01	FILTER		1	1
7	537 31 29-01	TRANSPORT GUARD		1	
8	544 35 91-01	TRANSPORT GUARD		1	

**R6** BC2255  
ACCESSORIES

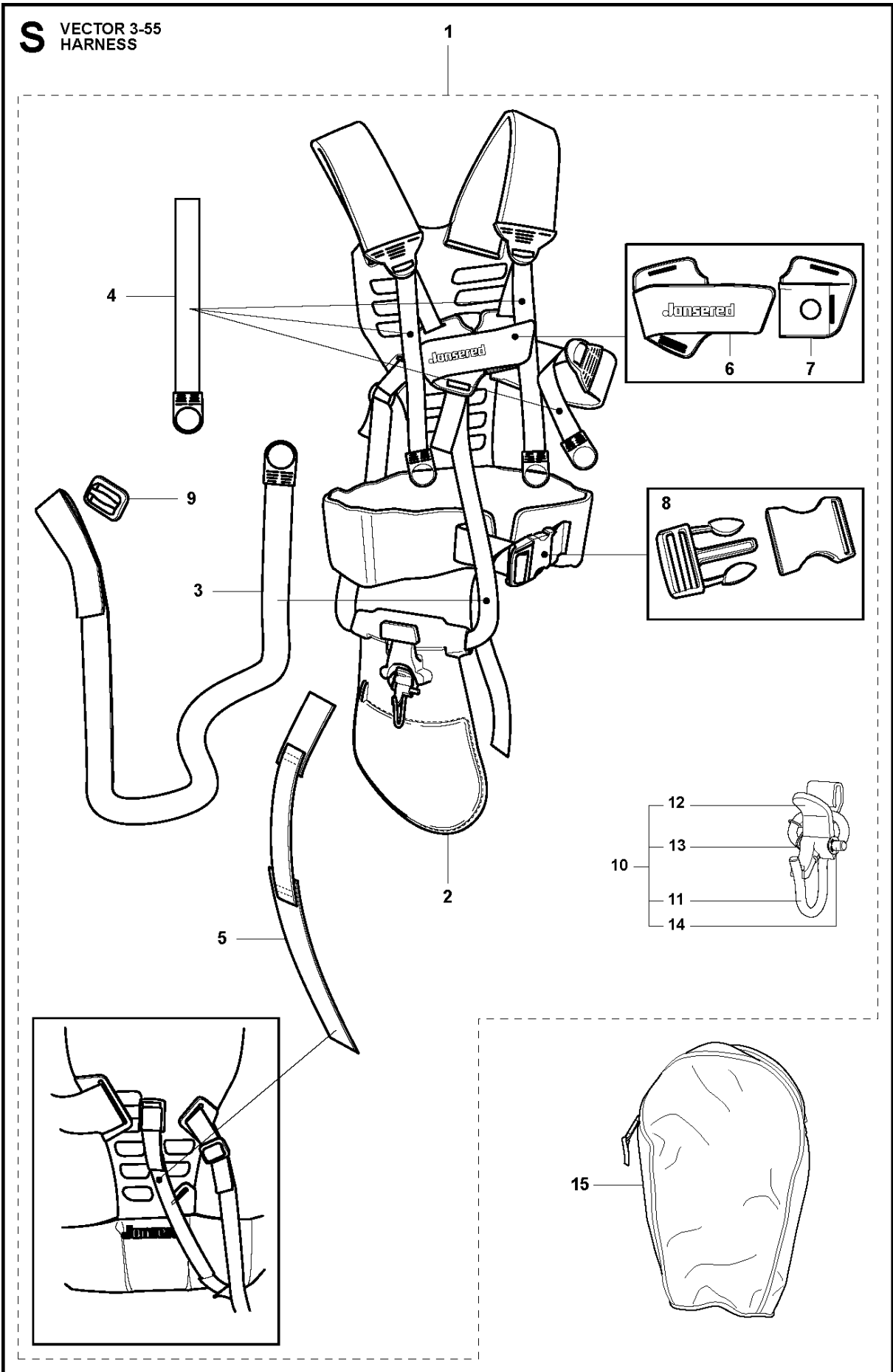


## ACCESSORIES

BC2255, 2019-07

Ref	Part No	Description	Remark	QTY KIT	
1	502 43 55-01	SAW BLADE GUARD	Incl. Pos. 2-7	1	
2	544 83 69-01	ADAPTER		1	1
3	574 52 03-01	CLAMP	Spare part incl. Screws Pos. 3	1	1
4	573 99 43-04	SCREW IHSCFMO	Captive Screw M5	2	1, 3
5	574 50 67-02	SAW BLADE GUARD	Incl. Pos. 6-7	1	1
6	503 20 03-16	SCREW IHSCFM		4	1, 5
7	574 03 95-01	LOCK NUT		4	1, 5

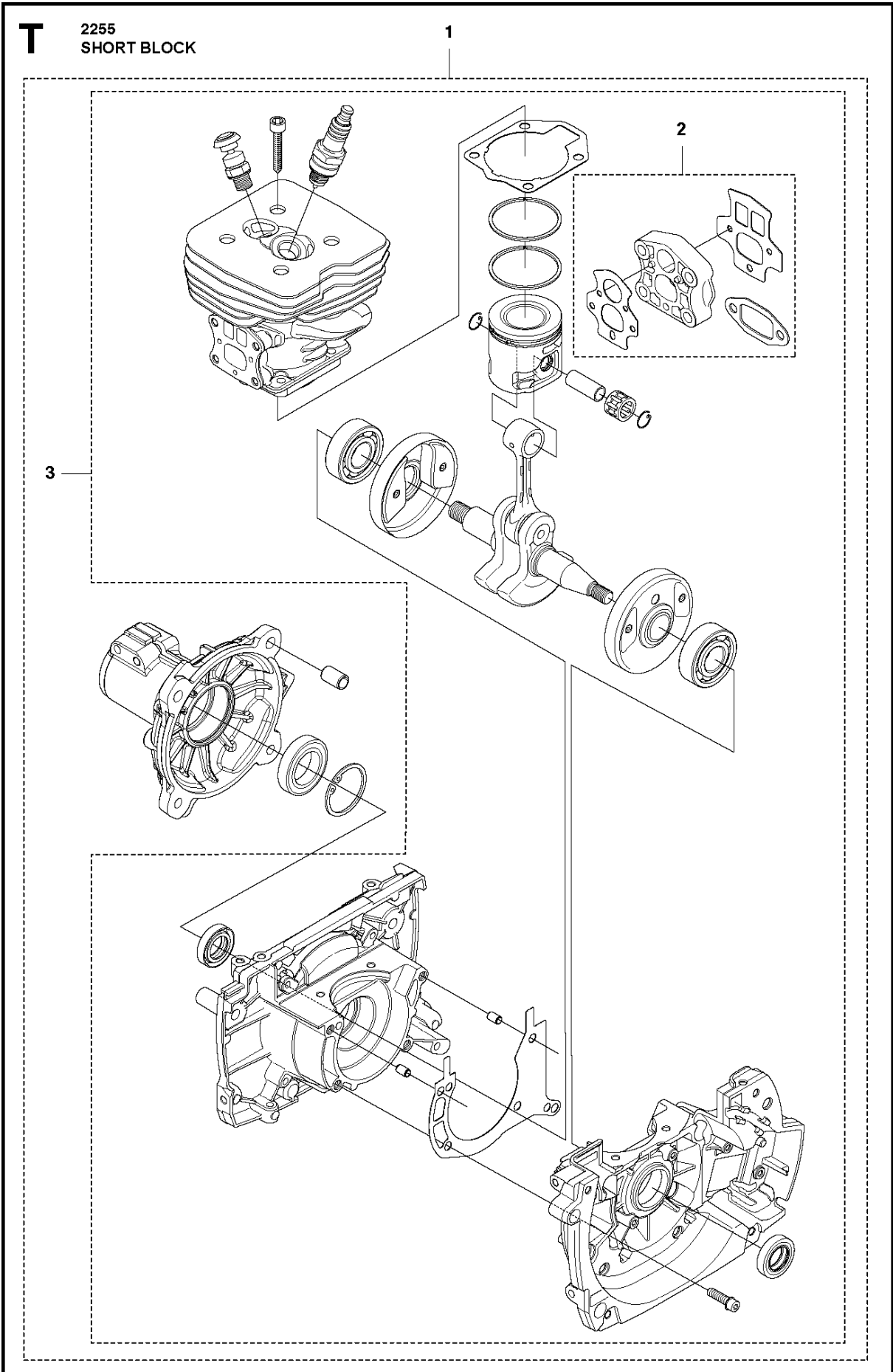
**S** VECTOR 3-55  
HARNES



## HARNES

BC2255, 2019-07

Ref	Part No	Description	Remark	QTY	KIT
1	504 04 53-01	HARNES	Incl. Pos. 2-14	1	
2	544 90 17-02	HIP PAD		1	1
3	503 99 61-05	BAND		1	1
4	503 99 61-01	BAND		3	1
5	537 15 35-02	STRAP		1	1
6	537 27 70-01	FRONT PIECE		1	1
7	537 27 69-01	FRONT PIECE		1	1
8	537 33 15-01	BUCKLE		1	1
9	537 11 35-01	RETAINER		1	1
10	544 96 07-02	WELT HOOK	Incl. Pos. 11-14	1	1
11	502 02 29-02	HOOK		1	1, 10
12	502 02 30-02	LOCK		1	1, 10
13	502 02 38-01	SPRING		1	1, 10
14	735 31 09-20	E-CLIP		1	1, 10
15	537 30 66-01	BAG	VECTOR 3-55 Tool bag	1	1





Ref	Part No	Description	Remark	QTY	KIT
1	576 79 88-03	SHORT BLOCK	up to s/n - 20191600180	1	
2	576 79 87-01	GASKET KIT		1	1,3
3	576 79 88-02	SHORT BLOCK	from s/n 20191600181	1	

# Illustrated Parts List - IPL Update



Product Name(s)

**BC2255**

Description of change

New solution and alternative because spring system between crankcase and clutch cover breaks.

Comments

Introduced from

<b>Serial number / Date</b>	<b>Remark</b>
2019-07	5449525-02
2019-07	5024935-06
2019-07	5767988-01

IPL updates

<b>Page title</b>	<b>Ref. no</b>	<b>New part no</b>	<b>Name</b>	<b>Excl. part no.</b>	<b>Remark</b>
CRANKCASE	1	503911501	<b>Crankcase assy</b>	544952502	Up to s/n - 20191600180
CRANKCASE	13	544952503	<b>crankcase</b>	544952502	From s/n 20191600181
CLUTCH	1	597519202	<b>Clutch cover assy</b>	502493506	up to s/n - 20191600180. Incl. pos. 2-4
CLUTCH	1	597519201	<b>Clutch cover assy</b>	502493506	from s/n 20191600181- Incl. pos. 2-4
SHORT BLOCK	1	576798803	<b>Short block</b>	576798801	Up to s/n - 20191600180
SHORT BLOCK	3	576798802	<b>Short block</b>	576798801	From s/n 20191600181