

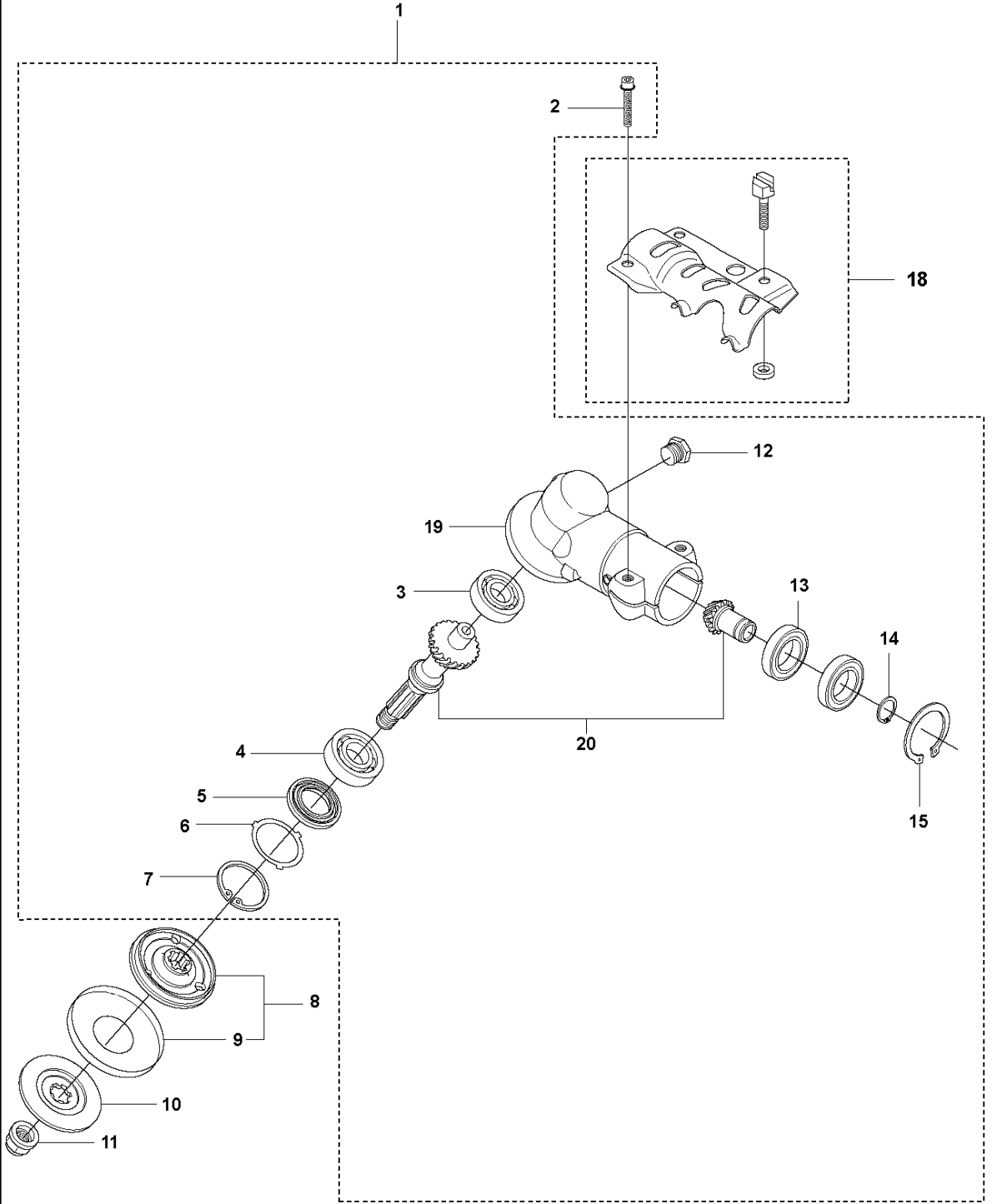


# SPARE PARTS LIST

BRUSHCUTTERS/CLEARING SAWS

CC2145 from 2014-12

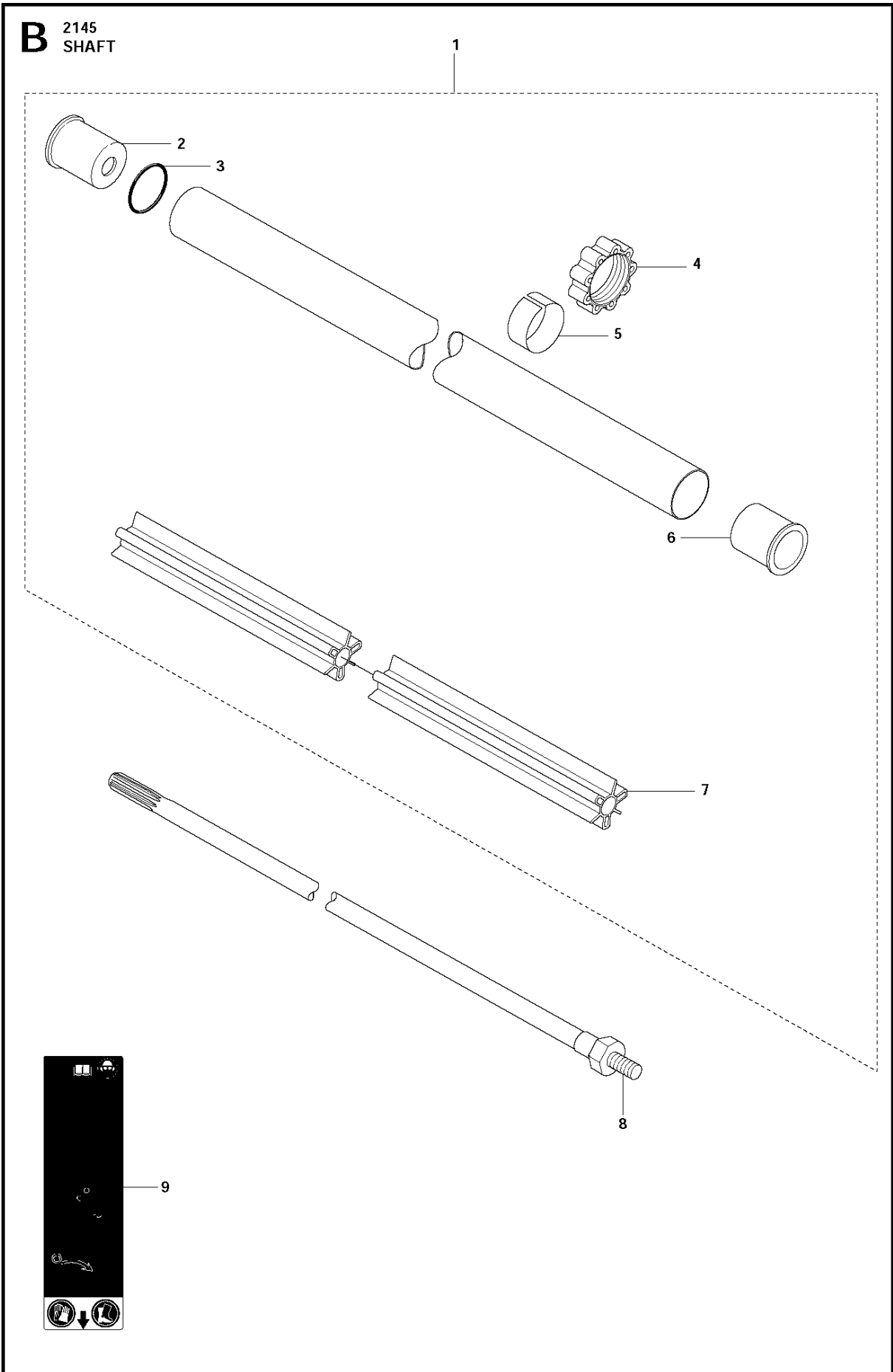
**A1** BC/CC 2145  
BEVEL GEAR



## BEVEL GEAR

CC2145 from 2014-12

| Ref | Part No      | Description      | Remark | QTY | KIT |
|-----|--------------|------------------|--------|-----|-----|
| 1   | 502 23 52-01 | GEAR ASSY        | BC, CC | 1   |     |
| 2   | 503 20 02-25 | SCREW IHSCFM     |        | 2   | 1   |
| 3   | 738 21 01-10 | BALL BEARING     |        | 1   | 1   |
| 4   | 503 25 08-01 | BEARING          |        | 1   | 1   |
| 5   | 503 26 17-01 | SEALING          |        | 1   | 1   |
| 6   | 503 75 89-01 | COVER WASHER     |        | 1   | 1   |
| 7   | 735 31 33-10 | CIRCLIP          |        | 1   | 1   |
| 8   | 537 35 14-01 | DRIVER           | "1""   | 1   |     |
| 9   | 537 29 24-01 | CUP              |        | 1   | 8   |
| 10  | 544 21 78-01 | SUPPORT FLANGE   |        | 1   |     |
| 11  | 502 29 11-01 | BLADE NUT        |        | 1   |     |
| 12  | 503 20 15-01 | SCREW            |        | 1   | 1   |
| 13  | 738 21 87-12 | BALL BEARING     |        | 2   | 1   |
| 14  | 735 31 17-00 | CIRCLIP          |        | 1   | 1   |
| 15  | 735 31 31-10 | CIRCLIP          |        | 1   | 1   |
| 18  | 583 97 24-01 | ATTACHMENT PLATE |        | 1   |     |
| 19  | 502 23 51-01 | GEAR HOUSING     |        | 1   | 1   |
| 20  | 537 29 07-01 | GEAR             |        | 1   | 1   |

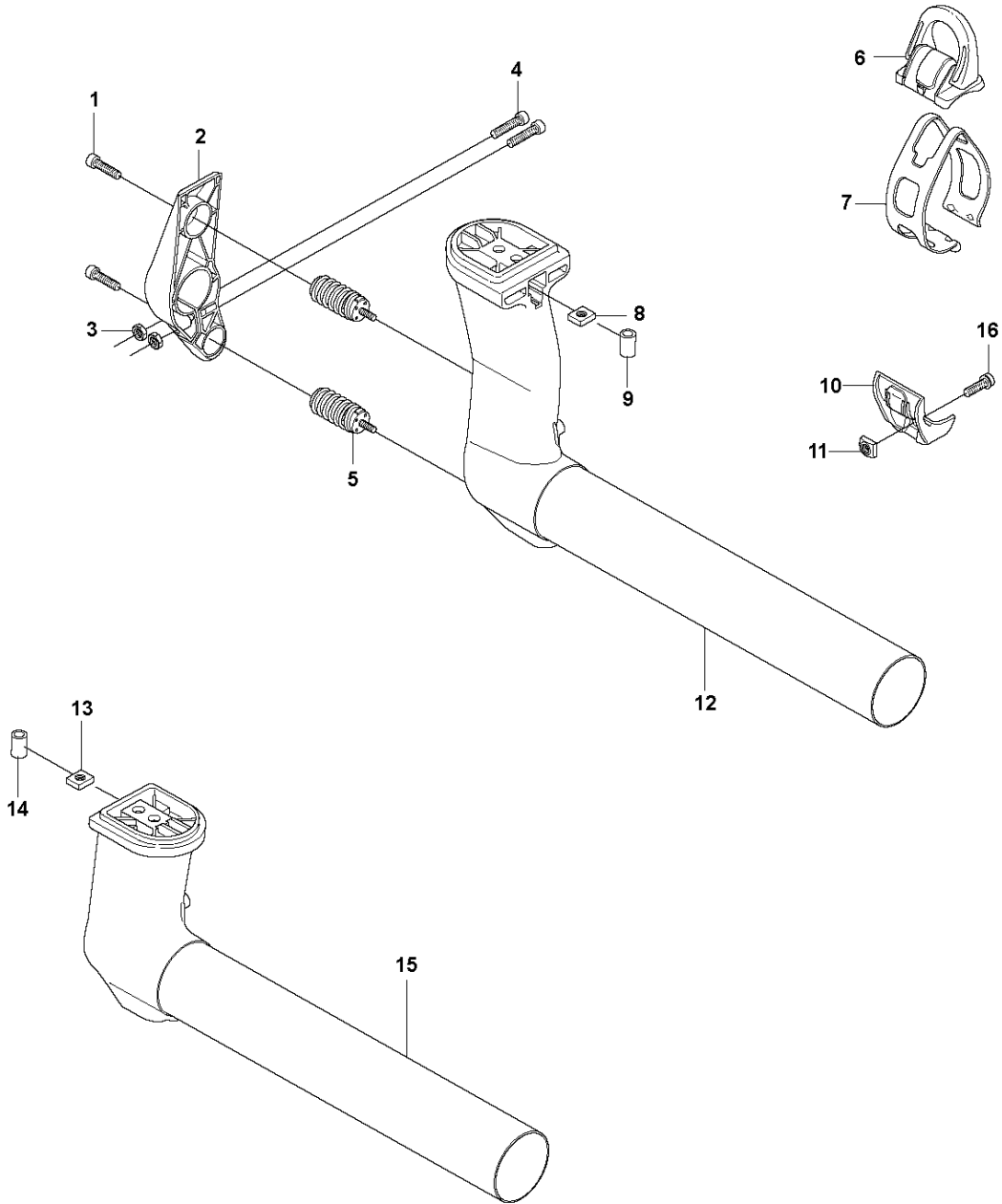


## SHAFT

CC2145 from 2014-12

| Ref | Part No      | Description           | Remark                | QTY KIT |   |
|-----|--------------|-----------------------|-----------------------|---------|---|
| 1   | 537 27 92-03 | TUBE                  | FC, FCS, FCW          | 1       |   |
| 1   | 537 27 92-08 | TUBE                  | BC                    | 1       |   |
| 1   | 537 27 92-10 | TUBE                  | CC                    | 1       |   |
| 2   | 544 02 94-01 | SPACER                |                       | 1       | 1 |
| 3   | 506 11 03-01 | O-RING                |                       | 1       | 1 |
| 4   | 537 30 98-01 | ANTIVIBRATION ELEMENT |                       | 1       | 1 |
| 5   | 537 30 97-01 | TAPE                  |                       | 1       | 1 |
| 6   | 544 02 94-01 | SPACER                | FC, FCS, FCW, CC      | 1       | 1 |
| 7   | 537 18 31-04 | GUIDE                 | FC, FCS, FCW, BC      | 1       | 1 |
| 7   | 537 18 31-05 | GUIDE                 | CC                    | 1       | 1 |
| 8   | 503 95 54-01 | DRIVE SHAFT           | FC, FCS, FCW Hollowed | 1       |   |
| 8   | 503 95 54-02 | DRIVE SHAFT           | BC Hollowed           | 1       |   |
| 8   | 503 92 44-01 | DRIVE SHAFT           | FC, FCS, FCW Solid    | 1       |   |
| 8   | 503 92 44-02 | DRIVE SHAFT           | BC Solid              | 1       |   |
| 8   | 503 92 44-03 | DRIVE SHAFT           | CC                    | 1       |   |
| 9   | 537 29 47-07 | LABEL                 |                       | 1       |   |
| 9   | 537 29 47-03 | LABEL                 | FC, FCS, FCW          | 1       |   |

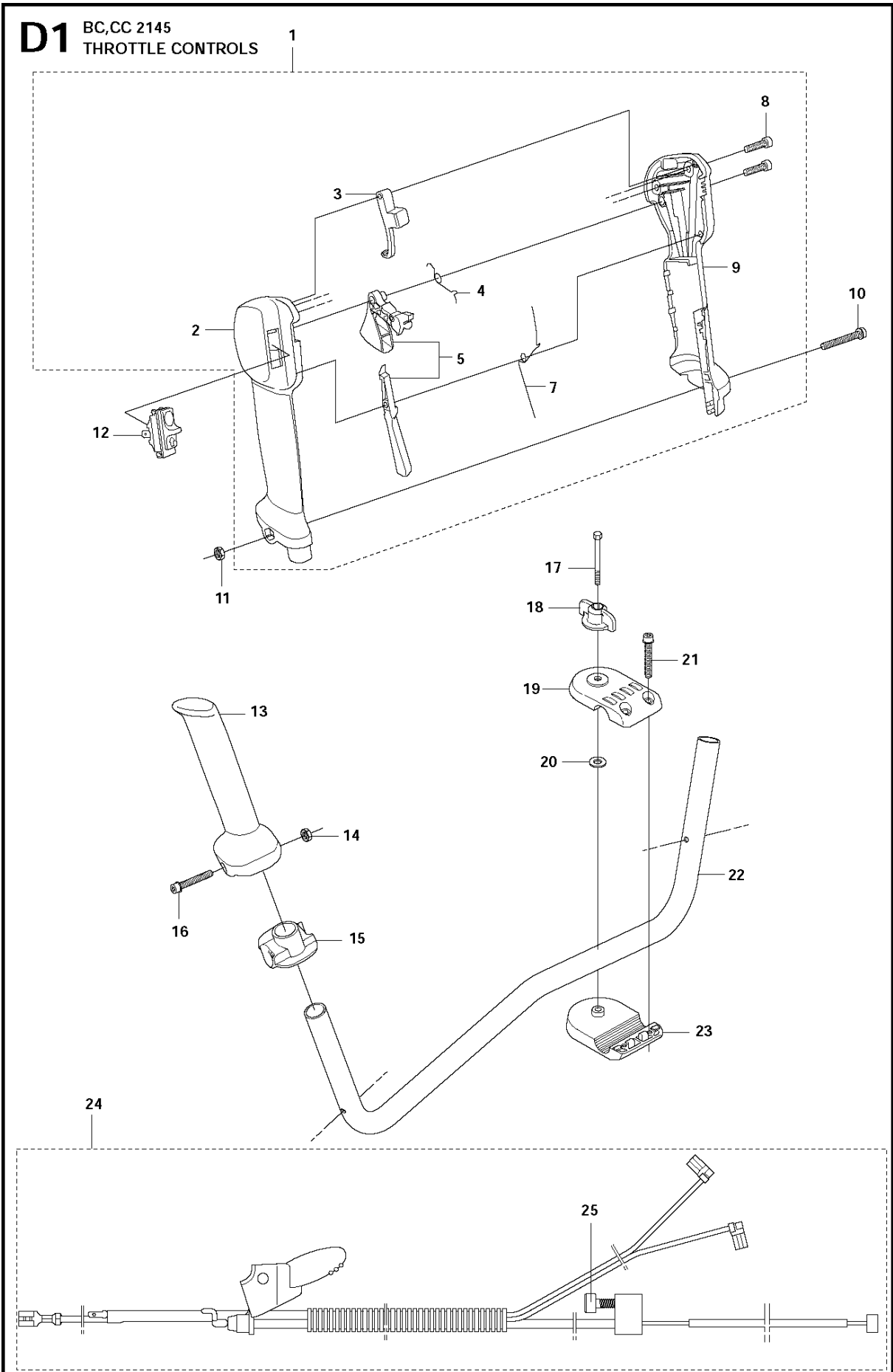
**C** 2145  
SUSPENSION



## SUSPENSION

CC2145 from 2014-12

| Ref | Part No      | Description           | Remark           | QTY KIT |
|-----|--------------|-----------------------|------------------|---------|
| 1   | 503 20 02-16 | SCREW IHSCFM          |                  | 2       |
| 2   | 503 95 53-05 | HOLDER ANTIVIBRATION  |                  | 1       |
| 3   | 503 22 10-12 | HEXAGON NUT           |                  | 2       |
| 4   | 503 20 02-25 | SCREW IHSCFM          |                  | 2       |
| 5   | 537 29 97-01 | ANTIVIBRATION ELEMENT |                  | 2       |
| 6   | 537 20 18-02 | LOOP                  |                  | 1       |
| 7   | 537 19 79-01 | BAND                  |                  | 1       |
| 8   | 502 19 71-01 | SQUARE NUT            |                  | 1       |
| 9   | 503 85 73-02 | COVER                 |                  | 1       |
| 10  | 537 27 11-02 | GUIDE RAIL            |                  | 1       |
| 11  | 503 22 65-01 | SQUARE NUT            |                  | 1       |
| 12  | 537 19 89-06 | SUSPENSION            | BC               | 1       |
| 13  | 502 19 71-01 | SQUARE NUT            |                  | 1       |
| 14  | 503 85 73-02 | COVER                 |                  | 1       |
| 15  | 503 95 59-07 | SUSPENSION            | FC, FCS, FCW, CC | 1       |
| 16  | 503 20 02-20 | SCREW IHSCFM          |                  | 1       |



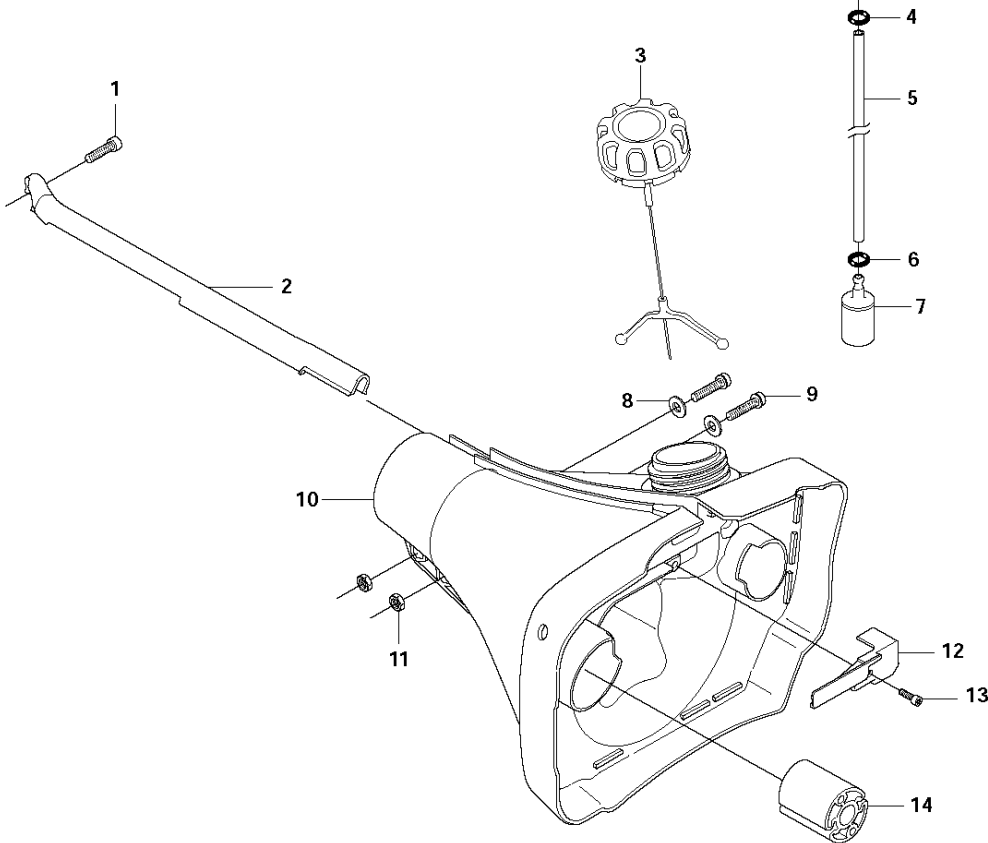


## THROTTLE CONTROLS

CC2145 from 2014-12

| Ref | Part No      | Description          | Remark | QTY | KIT |
|-----|--------------|----------------------|--------|-----|-----|
| 1   | 504 20 98-05 | THROTTLE HANDLE ASSY | BC, CC | 1   |     |
| 2   | 537 18 07-12 | HANDLE HALF          |        | 1   | 1   |
| 3   | 537 16 07-02 | THROTTLE LOCKOUT     |        | 1   | 1   |
| 4   | 537 17 42-01 | SPRING THROTTLE TRIG |        | 1   | 1   |
| 5   | 506 49 77-02 | THROTTLE CONTROL     | Kit    | 1   | 1   |
| 7   | 537 17 43-01 | SPRING               |        | 1   | 1   |
| 8   | 503 21 66-18 | SCREW IH SCT         |        | 2   | 1   |
| 9   | 537 18 08-12 | HANDLE HALF          |        | 1   | 1   |
| 10  | 503 20 07-35 | SCREW IH SCFM        |        | 1   |     |
| 11  | 503 22 10-13 | HEXAGON NUT          |        | 1   |     |
| 12  | 537 41 90-01 | SWITCH               |        | 1   |     |
| 13  | 537 17 28-07 | HANDLE               |        | 1   |     |
| 14  | 731 23 14-05 | HEXAGON NUT          |        | 1   |     |
| 15  | 537 17 29-04 | BRACKET              |        | 1   |     |
| 16  | 503 20 02-45 | SCREW IH SCFM        |        | 1   |     |
| 17  | 725 23 84-85 | SCREW EHHM           |        | 1   |     |
| 18  | 502 21 93-01 | TURNING KNOB         |        | 1   |     |
| 19  | 537 12 90-02 | HANDLEBAR BRACKET    |        | 1   |     |
| 20  | 502 28 21-01 | WASHER               |        | 1   |     |
| 21  | 503 20 02-25 | SCREW IH SCFM        |        | 2   |     |
| 22  | 537 33 49-01 | HANDLEBAR            |        | 1   |     |
| 23  | 537 12 91-02 | HANDLEBAR BRACKET    |        | 1   |     |
| 24  | 544 97 78-01 | WIRING ASSY          | BC     | 1   |     |
| 24  | 544 97 78-02 | WIRING ASSY          | CC     | 1   |     |
| 25  | 503 21 66-16 | SCREW IH SCT         |        | 1   | 24  |

**E** 2145  
FUEL TANK

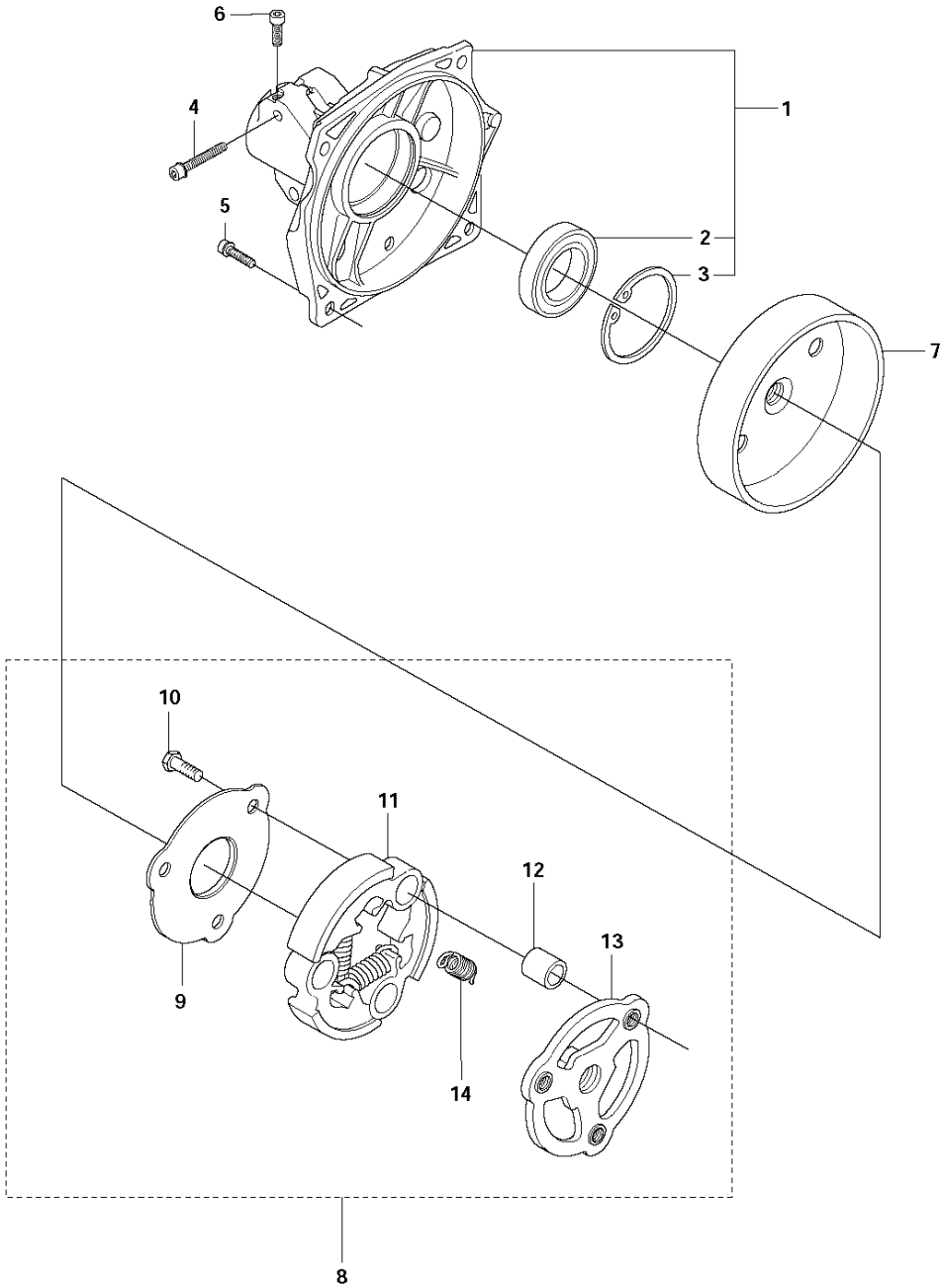


## FUEL TANK

CC2145 from 2014-12

| Ref | Part No      | Description           | Remark           | QTY KIT |
|-----|--------------|-----------------------|------------------|---------|
| 1   | 503 20 02-16 | SCREW IHSCFM          |                  | 1       |
| 2   | 537 17 25-04 | COVER                 | FC, FCS, FCW, CC | 1       |
| 2   | 537 17 25-03 | COVER                 | BC               | 1       |
| 3   | 544 07 69-02 | TANK CAP              |                  | 1       |
| 4   | 537 18 49-01 | O-RING                |                  | 1       |
| 5   | 544 32 49-33 | FUEL HOSE             |                  | 1       |
| 6   | 537 18 49-01 | O-RING                |                  | 1       |
| 7   | 503 44 32-01 | FUEL FILTER           |                  | 1       |
| 8   | 503 23 00-11 | WASHER                |                  | 2       |
| 9   | 503 20 02-16 | SCREW IHSCFM          |                  | 2       |
| 10  | 503 94 93-02 | FUEL TANK             |                  | 1       |
| 11  | 503 22 10-12 | HEXAGON NUT           |                  | 2       |
| 12  | 537 21 99-01 | HOSE GUARD            |                  | 1       |
| 13  | 503 21 71-16 | SCREW IHST            |                  | 1       |
| 14  | 503 95 61-01 | ANTIVIBRATION ELEMENT |                  | 2       |

**F** 2145  
CLUTCH

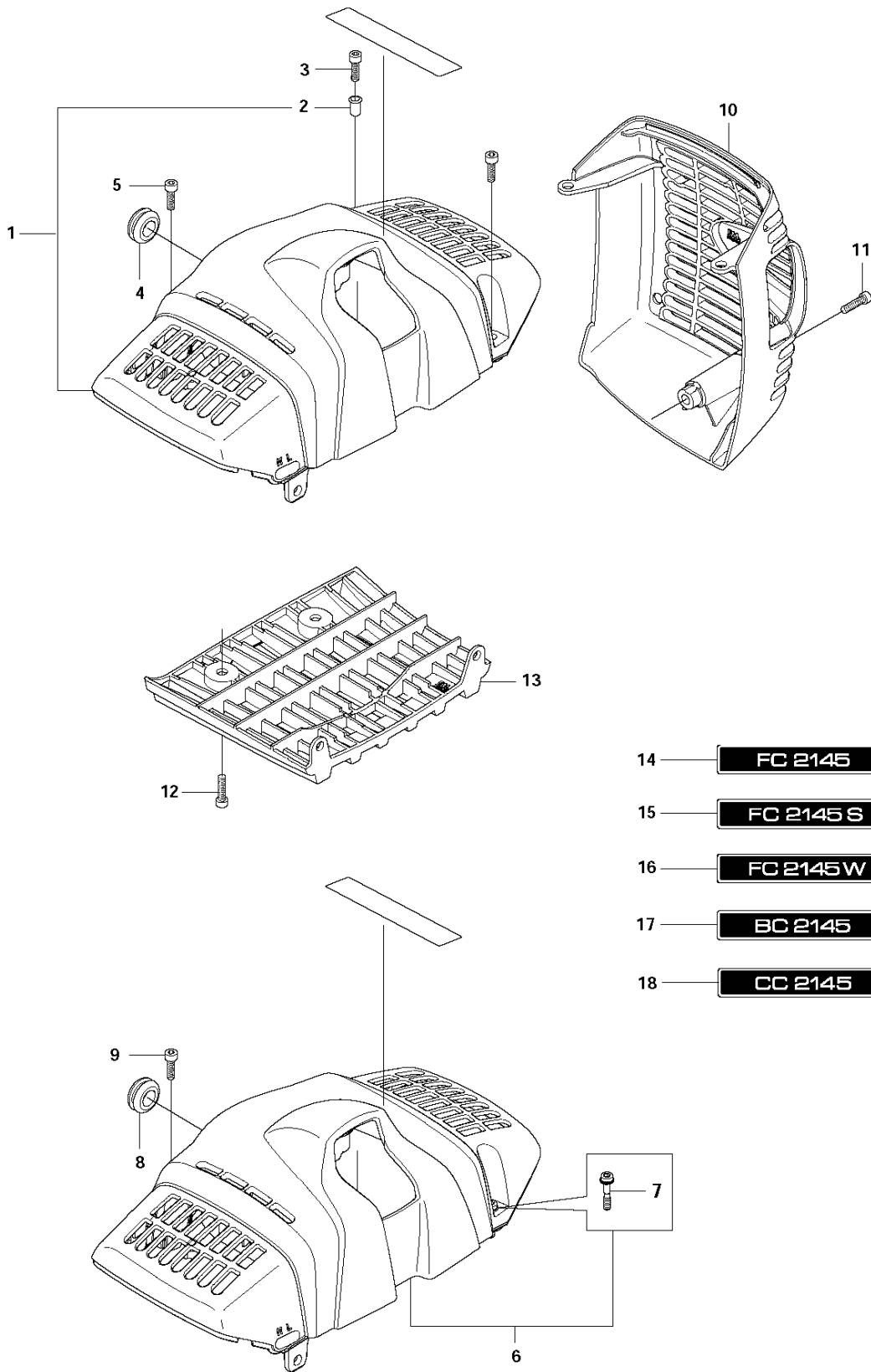


## CLUTCH

CC2145 from 2014-12

| Ref | Part No      | Description      | Remark | QTY KIT |   |
|-----|--------------|------------------|--------|---------|---|
| 1   | 503 95 41-03 | CLUTCH COVER     |        | 1       |   |
| 2   | 738 22 02-19 | BALL BEARING     |        | 1       | 1 |
| 3   | 735 31 33-10 | CIRCLIP          |        | 1       | 1 |
| 4   | 503 20 02-30 | SCREW IHSCFM     |        | 2       |   |
| 5   | 503 20 02-20 | SCREW IHSCFM     |        | 4       |   |
| 6   | 503 20 20-01 | SCREW IHSCM      |        | 1       |   |
| 7   | 544 90 07-01 | CLUTCH DRUM ASSY |        | 1       |   |
| 8   | 503 95 35-01 | CLUTCH ASSY      |        | 1       |   |
| 9   | 537 13 53-01 | WASHER           |        | 1       | 8 |
| 10  | 503 20 18-18 | SCREW EHHM       |        | 3       | 8 |
| 11  | 503 95 36-01 | CLUTCH SHOE      |        | 3       | 8 |
| 12  | 537 13 54-01 | BEARING BUSH     |        | 3       | 8 |
| 13  | 503 95 37-01 | CLUTCH HUB       |        | 1       | 8 |
| 14  | 505 43 53-01 | CLUTCH SPRING    |        | 3       | 8 |

**G** 2145  
CYLINDER COVER



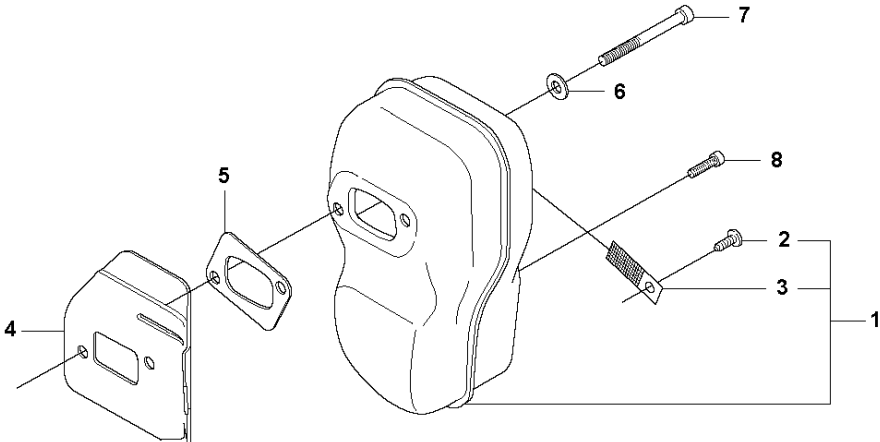
- 14 — FC 2145
- 15 — FC 2145 S
- 16 — FC 2145W
- 17 — BC 2145
- 18 — CC 2145

## CYLINDER COVER

CC2145 from 2014-12

| Ref | Part No      | Description         | Remark                        | QTY | KIT |
|-----|--------------|---------------------|-------------------------------|-----|-----|
| 1   | 544 45 73-01 | CYLINDER COVER ASSY |                               | 1   |     |
| 2   | 537 44 45-03 | TUBULAR RIVET       |                               | 3   | 1   |
| 3   | 503 20 03-02 | SCREW IHSCFM        |                               | 3   |     |
| 4   | 537 37 68-01 | PLUG                |                               | 1   |     |
| 5   | 725 53 33-65 | SCREW IHSCM         |                               | 1   |     |
| 6   | 575 58 15-01 | CYLINDER COVER ASSY | Spare part with Captive Screw | 1   |     |
| 7   | 574 47 70-04 | SCREW IHSCFMO       | Captive Screw                 | 2   | 6   |
| 8   | 537 37 68-01 | PLUG                |                               | 1   |     |
| 9   | 725 53 33-65 | SCREW IHSCM         |                               | 1   |     |
| 10  | 537 26 00-01 | HEAT PROTECTOR      |                               | 1   |     |
| 11  | 503 20 03-02 | SCREW IHSCFM        |                               | 1   |     |
| 12  | 503 20 03-02 | SCREW IHSCFM        |                               | 2   |     |
| 13  | 537 26 01-02 | PROTECTIVE COVER    |                               | 1   |     |
| 14  | 537 37 57-02 | LABEL               | FC                            | 1   |     |
| 15  | 537 37 57-01 | LABEL               | FCS                           | 1   |     |
| 16  | 537 37 57-04 | LABEL               | FCW                           | 1   |     |
| 17  | 537 37 57-03 | LABEL               | BC                            | 1   |     |
| 18  | 537 37 57-05 | LABEL               | CC                            | 1   |     |

**H** 2145  
MUFFLER



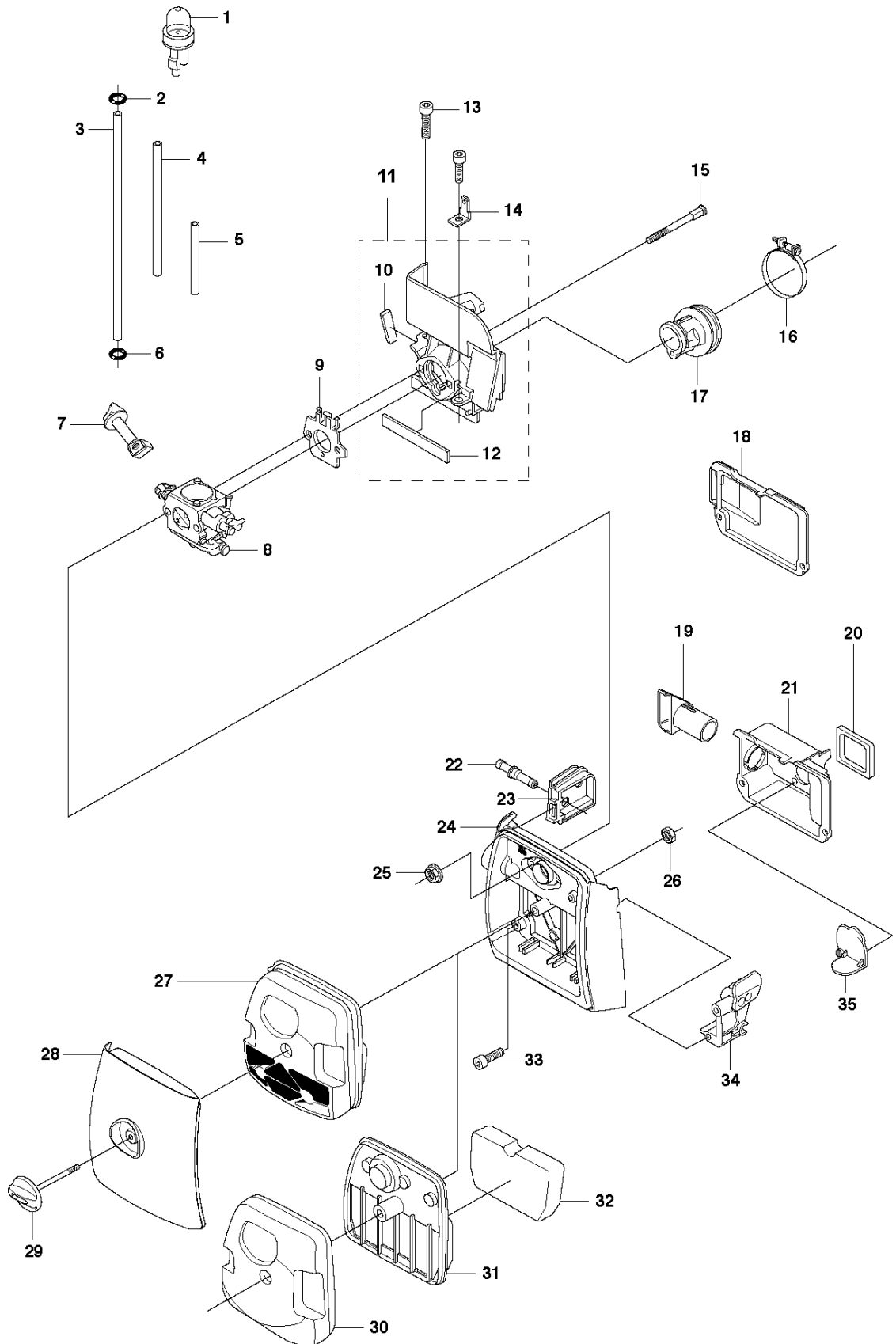


## MUFFLER

CC2145 from 2014-12

| Ref | Part No      | Description           | Remark | QTY | KIT |
|-----|--------------|-----------------------|--------|-----|-----|
| 1   | 503 94 90-01 | MUFFLER ASSY          | CAT    | 1   |     |
| 1   | 503 94 90-02 | MUFFLER ASSY          |        | 1   |     |
| 2   | 724 12 87-59 | SCREW CRPANM          |        | 1   | 1   |
| 3   | 537 27 09-01 | SPARK ARRESTER SCREEN |        | 1   | 1   |
| 4   | 537 22 85-01 | HEAT DEFLECTOR        |        | 1   |     |
| 5   | 537 19 87-01 | GASKET                |        | 1   |     |
| 6   | 503 23 04-02 | WASHER                |        | 2   |     |
| 7   | 503 20 29-70 | SCREW IHSCFM          |        | 2   |     |
| 8   | 503 20 03-02 | SCREW IHSCFM          |        | 1   |     |

**J** 2145  
AIRFILTER HOLDER

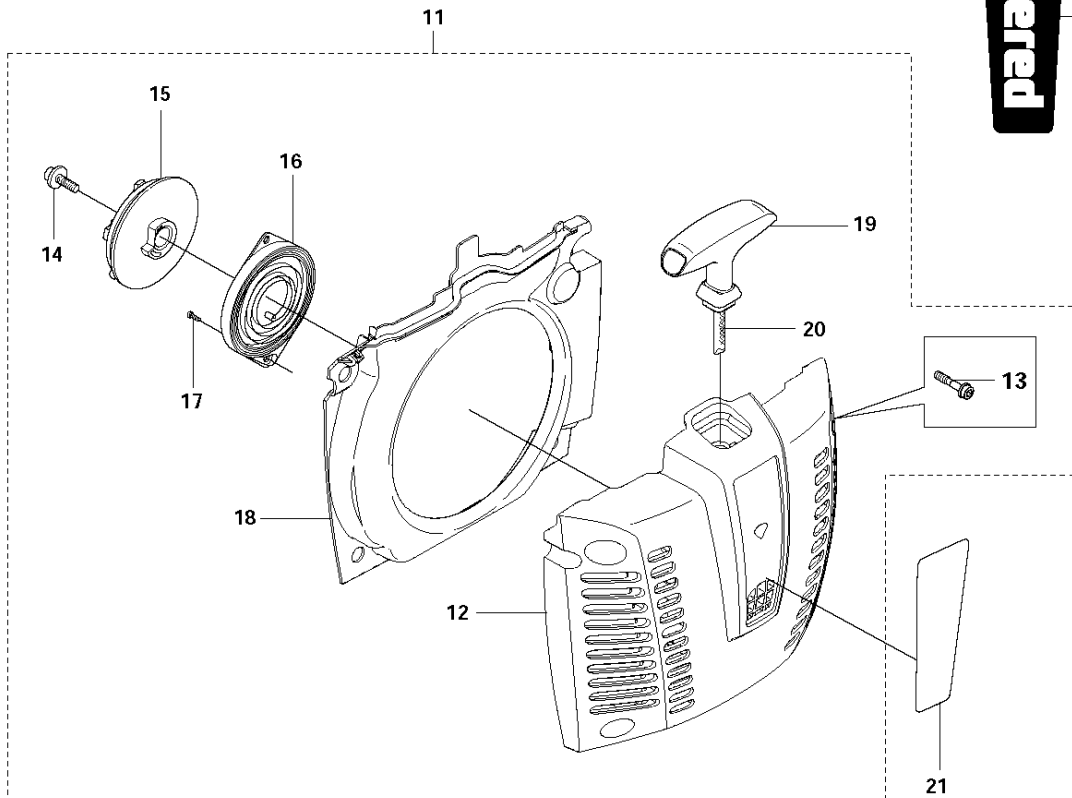
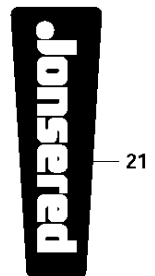
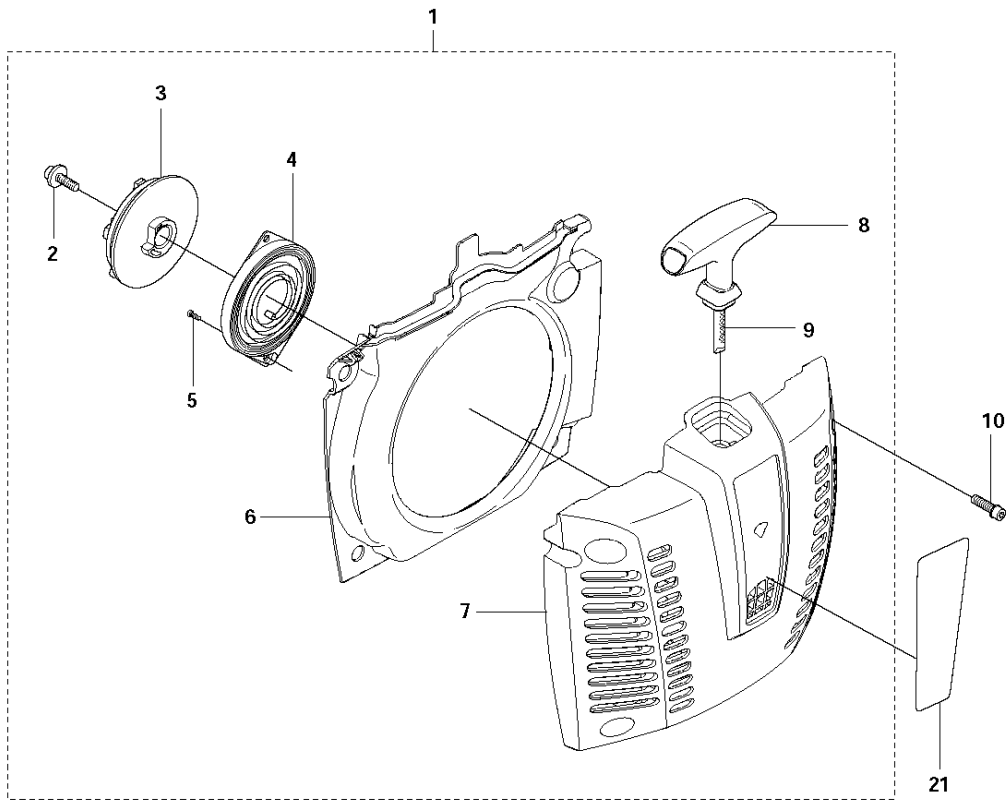


## CARBURETOR &amp; AIR FILTER

CC2145 from 2014-12

| Ref | Part No      | Description        | Remark                 | QTY | KIT |
|-----|--------------|--------------------|------------------------|-----|-----|
| 1   | 503 93 66-01 | PURGE              |                        | 1   |     |
| 2   | 537 18 49-01 | O-RING             |                        | 1   |     |
| 3   | 544 32 49-23 | FUEL HOSE          | L=160 mm               | 1   |     |
| 4   | 537 04 24-01 | FUEL HOSE          | L=102 mm               | 1   |     |
| 5   | 537 05 23-03 | FUEL HOSE          | L=35 mm                | 1   |     |
| 6   | 537 18 19-01 | BEARING            |                        | 1   |     |
| 7   | 537 11 00-01 | CHOKE CONTROL      |                        | 1   |     |
| 8   | 503 28 31-16 | CARBURETTOR        | Zama C1Q-EL21          | 1   |     |
| 9   | 537 11 01-01 | SPACER             |                        | 1   |     |
| 10  | 537 22 96-02 | MOULDING           |                        | 1   | 11  |
| 11  | 537 30 02-01 | INSULATION WALL    |                        | 1   |     |
| 12  | 537 22 96-01 | MOULDING           |                        | 1   | 11  |
| 13  | 503 20 03-20 | SCREW IHSCFM       |                        | 2   |     |
| 14  | 503 23 88-02 | FLAT PIN           |                        | 1   |     |
| 15  | 544 08 20-02 | SCREW              |                        | 2   |     |
| 16  | 503 56 00-09 | HOSE CLAMP         |                        | 1   |     |
| 17  | 503 95 83-01 | BELLOWS            |                        | 1   |     |
| 18  | 537 27 61-01 | MUFFLER            | BC, CC                 | 1   |     |
| 19  | 537 14 15-01 | AIR INTAKE         | FC, FCS, FCW           | 1   |     |
| 20  | 537 30 93-01 | SEALING            | FC, FCS, FCW           | 1   |     |
| 21  | 537 10 99-02 | MUFFLER            | FC, FCS, FCW           | 1   |     |
| 22  | 537 29 46-01 | FOLIE              |                        | 1   |     |
| 23  | 537 16 59-01 | GROMMET            |                        | 1   |     |
| 24  | 537 25 95-01 | FILTER HOLDER      |                        | 1   |     |
| 25  | 731 71 14-51 | HEXAGON NUT FLANGE |                        | 2   |     |
| 26  | 731 23 14-05 | HEXAGON NUT        |                        | 2   |     |
| 27  | 537 38 11-01 | FILTER             | μ80 Black FC, FCS, FCW | 1   |     |
| 28  | 537 32 07-01 | FILTER COVER       |                        | 1   |     |
| 29  | 537 21 32-05 | KNOB               |                        | 1   |     |
| 30  | 503 95 80-01 | HUB CAP            | BC, CC                 | 1   |     |
| 31  | 503 95 79-01 | RETAINER           | BC, CC                 | 1   |     |
| 32  | 537 42 71-01 | AIR FILTER         | BC, CC                 | 1   |     |
| 33  | 503 20 03-20 | SCREW IHSCFM       |                        | 2   |     |
| 34  | 537 42 11-01 | CHISEL GUIDE       |                        | 1   |     |
| 35  | 537 14 14-01 | HUB CAP            | FC, FCS, FCW           | 1   |     |

**K** 2145  
STARTER

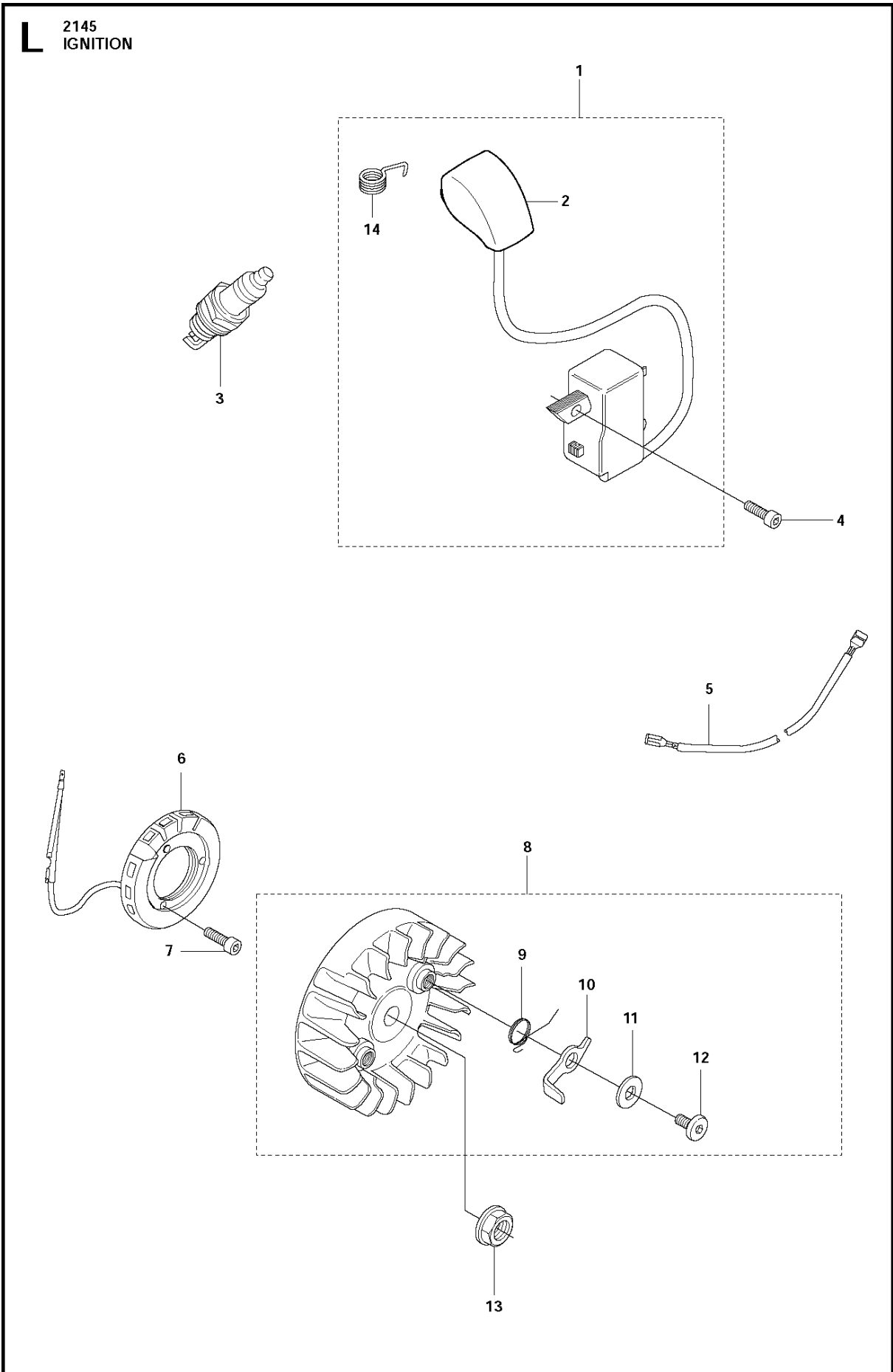


## STARTER

CC2145 from 2014-12

| Ref | Part No      | Description          | Remark                        | QTY | KIT   |
|-----|--------------|----------------------|-------------------------------|-----|-------|
| 1   | 537 25 93-02 | STARTER              |                               | 1   |       |
| 2   | 503 21 69-16 | SCREW IHSCT          |                               | 1   | 1     |
| 3   | 503 95 73-01 | STARTER PULLEY       |                               | 1   | 1     |
| 4   | 502 20 06-01 | SPRING CASSETTE ASSY |                               | 1   | 1     |
| 5   | 503 21 29-06 | SCREW CCRPANT        |                               | 2   | 1     |
| 6   | 537 25 90-01 | AIR CONDUCTOR        |                               | 1   | 1     |
| 7   | 537 25 89-01 | STARTER HOUSING      |                               | 1   | 1     |
| 8   | 537 19 65-01 | STARTER HANDLE       |                               | 1   | 1     |
| 9   | 505 30 51-25 | STARTER CORD         |                               | 1   | 1     |
| 10  | 503 20 03-02 | SCREW IHSCFM         |                               | 4   |       |
| 11  | 575 58 18-01 | STARTER ASSY         | Spare part with Captive Screw | 1   |       |
| 12  | 575 58 17-01 | STARTER HOUSING      | Spare part with Captive Screw | 1   | 11    |
| 13  | 574 47 70-03 | SCREW IHSCFMO        | Captive Screw                 | 4   | 11,12 |
| 14  | 503 21 69-16 | SCREW IHSCT          |                               | 1   | 11    |
| 15  | 503 95 73-01 | STARTER PULLEY       |                               | 1   | 11    |
| 16  | 502 20 06-01 | SPRING CASSETTE ASSY |                               | 1   | 11    |
| 17  | 503 21 29-06 | SCREW CCRPANT        |                               | 2   | 11    |
| 18  | 537 25 90-01 | AIR CONDUCTOR        |                               | 1   | 11    |
| 19  | 537 19 65-01 | STARTER HANDLE       |                               | 1   | 11    |
| 20  | 505 30 51-25 | STARTER CORD         |                               | 1   | 11    |
| 21  | 537 37 58-01 | LABEL                |                               | 1   |       |

**L** 2145  
IGNITION

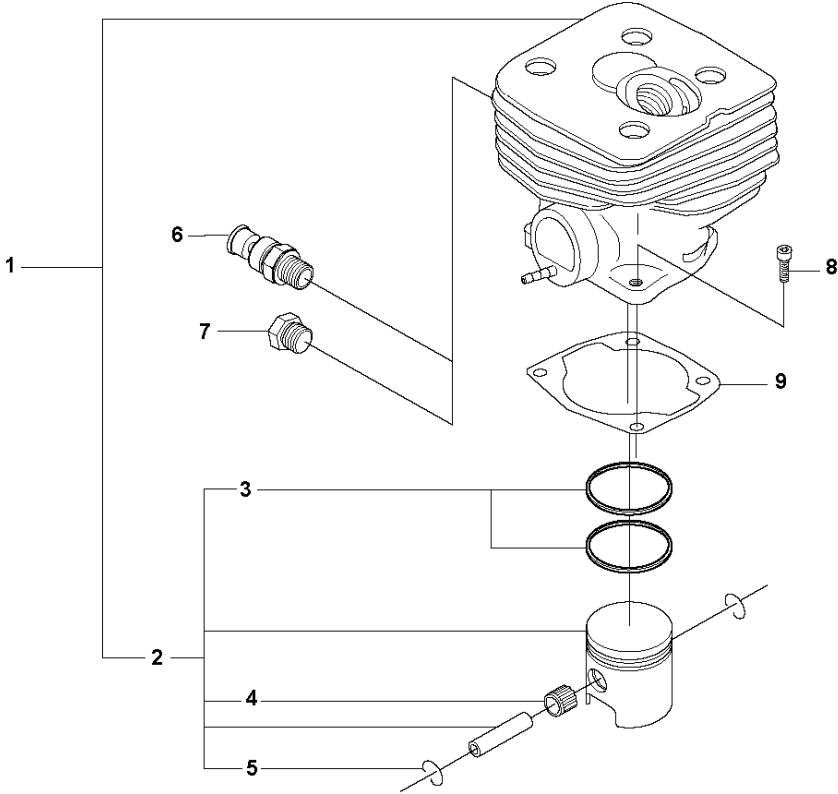


## IGNITION SYSTEM

CC2145 from 2014-12

| Ref | Part No      | Description         | Remark          | QTY | KIT |
|-----|--------------|---------------------|-----------------|-----|-----|
| 1   | 501 00 13-01 | IGNITION MODULE     | FC, FCS, FCW    | 1   |     |
| 1   | 501 00 13-02 | IGNITION MODULE     | BC, CC          | 1   |     |
| 2   | 537 42 80-01 | SPARK PLUG CAP      |                 | 1   | 1   |
| 3   | 503 23 51-09 | SPARK PLUG          | Champion RCJ 6Y | 1   |     |
| 4   | 503 20 25-16 | SCREW IHSCM         |                 | 2   |     |
| 5   | 537 39 10-01 | SHORT CIRCUIT CABLE |                 | 1   |     |
| 6   | 537 25 63-01 | GENERATOR STATOR    | FCW             | 1   |     |
| 7   | 503 21 66-18 | SCREW IHSCM         | FCW             | 2   |     |
| 8   | 503 95 33-01 | FLYWHEEL            | BC, CC, FC, FCS | 1   |     |
| 8   | 503 95 33-02 | FLYWHEEL            | FCW             | 1   |     |
| 9   | 503 81 29-01 | SPRING              |                 | 2   | 8   |
| 10  | 503 81 24-01 | STARTER PAWL        |                 | 2   | 8   |
| 11  | 503 23 00-42 | WASHER              |                 | 2   | 8   |
| 12  | 501 81 99-03 | SCREW               |                 | 2   | 8   |
| 13  | 503 22 04-01 | NUT                 |                 | 1   |     |
| 14  | 501 48 56-01 | CONTACT SPRING      |                 | 1   | 1   |

**M** 2145  
CYLINDER & PISTON



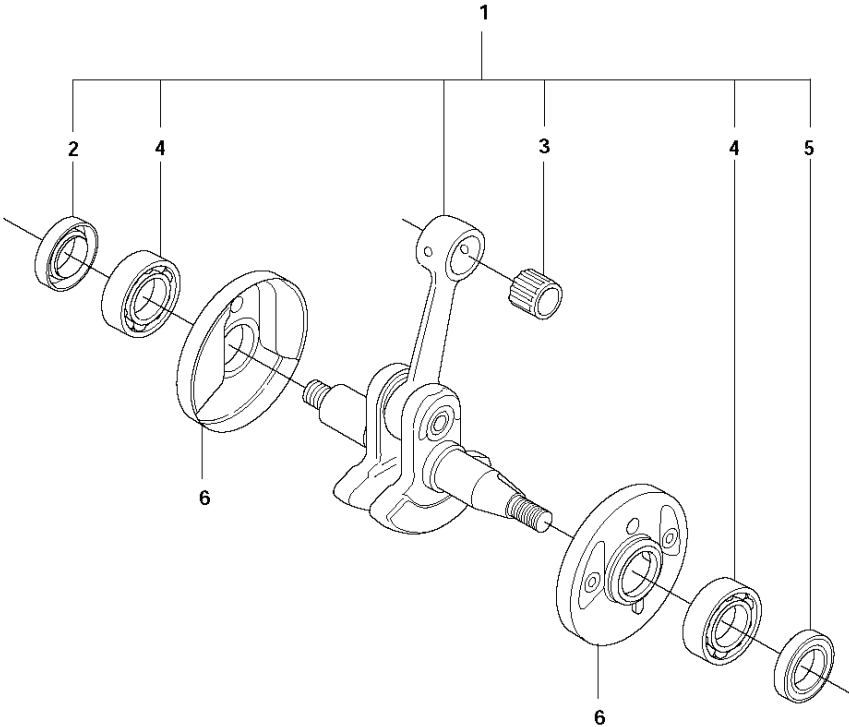


## CYLINDER PISTON

CC2145 from 2014-12

| Ref | Part No      | Description         | Remark                | QTY | KIT |
|-----|--------------|---------------------|-----------------------|-----|-----|
| 1   | 505 10 85-02 | CYLINDER ASSY       | FCS, FCW ø41mm 43cc   | 1   |     |
| 1   | 505 03 48-04 | CYLINDER ASSY       | BC, FC, CC ø42mm 45cc | 1   |     |
| 2   | 537 15 94-02 | PISTON ASSY         | ø41mm 43cc            | 1   | 1   |
| 2   | 544 09 30-02 | PISTON ASSY         | ø42mm 45cc            | 1   | 1   |
| 3   | 503 28 90-45 | PISTON RING         | ø41                   | 1   | 1,2 |
| 3   | 506 44 94-01 | PISTON RING         | ø42                   | 1   | 1,2 |
| 4   | 501 45 16-01 | NEEDLE BEARING      |                       | 1   | 1,2 |
| 5   | 737 44 10-00 | SNAP RING           |                       | 2   | 1,2 |
| 6   | 503 66 54-01 | DECOMPRESSION VALVE | BC, CC, FCS, FCW      | 1   |     |
| 7   | 503 55 22-01 | PLUG                | FC                    | 1   |     |
| 8   | 725 53 31-55 | SCREW IHSCM         |                       | 4   |     |
| 9   | 503 95 27-01 | GASKET              |                       | 1   |     |

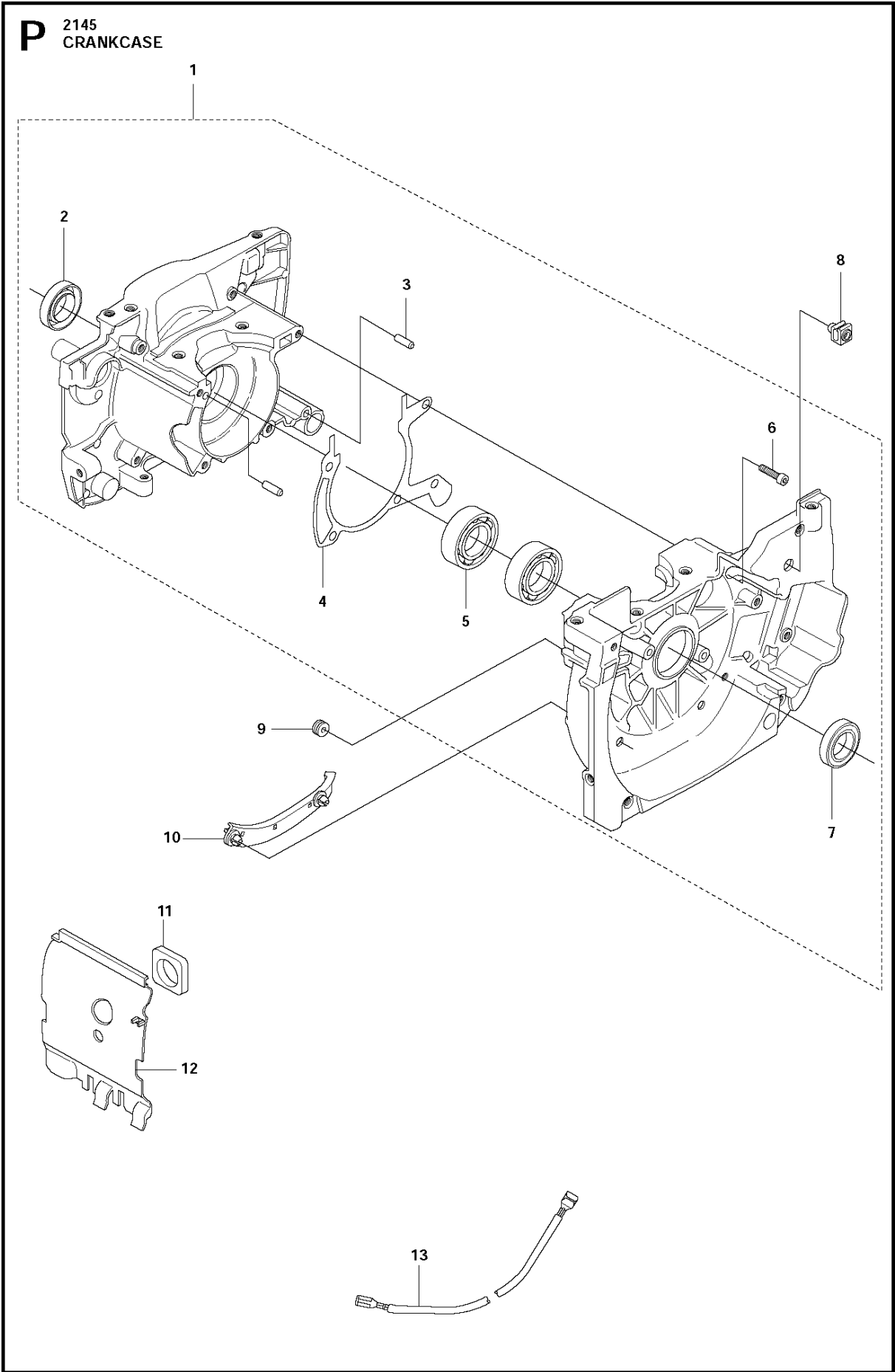
**N** 2145  
CRANK SHAFT



## CRANKSHAFT

CC2145 from 2014-12

| Ref | Part No      | Description    | Remark   | QTY | KIT |
|-----|--------------|----------------|----------|-----|-----|
| 1   | 537 18 97-02 | CRANKSHAFT     |          | 1   |     |
| 2   | 503 26 02-04 | SEALING RING   |          | 1   | 1   |
| 3   | 501 45 16-01 | NEEDLE BEARING |          | 1   | 1   |
| 4   | 738 22 02-25 | BALL BEARING   |          | 2   | 1   |
| 5   | 505 27 57-19 | SEALING RING   |          | 1   | 1   |
| 6   | 537 15 85-01 | CUP            | FCS, FCW | 2   |     |



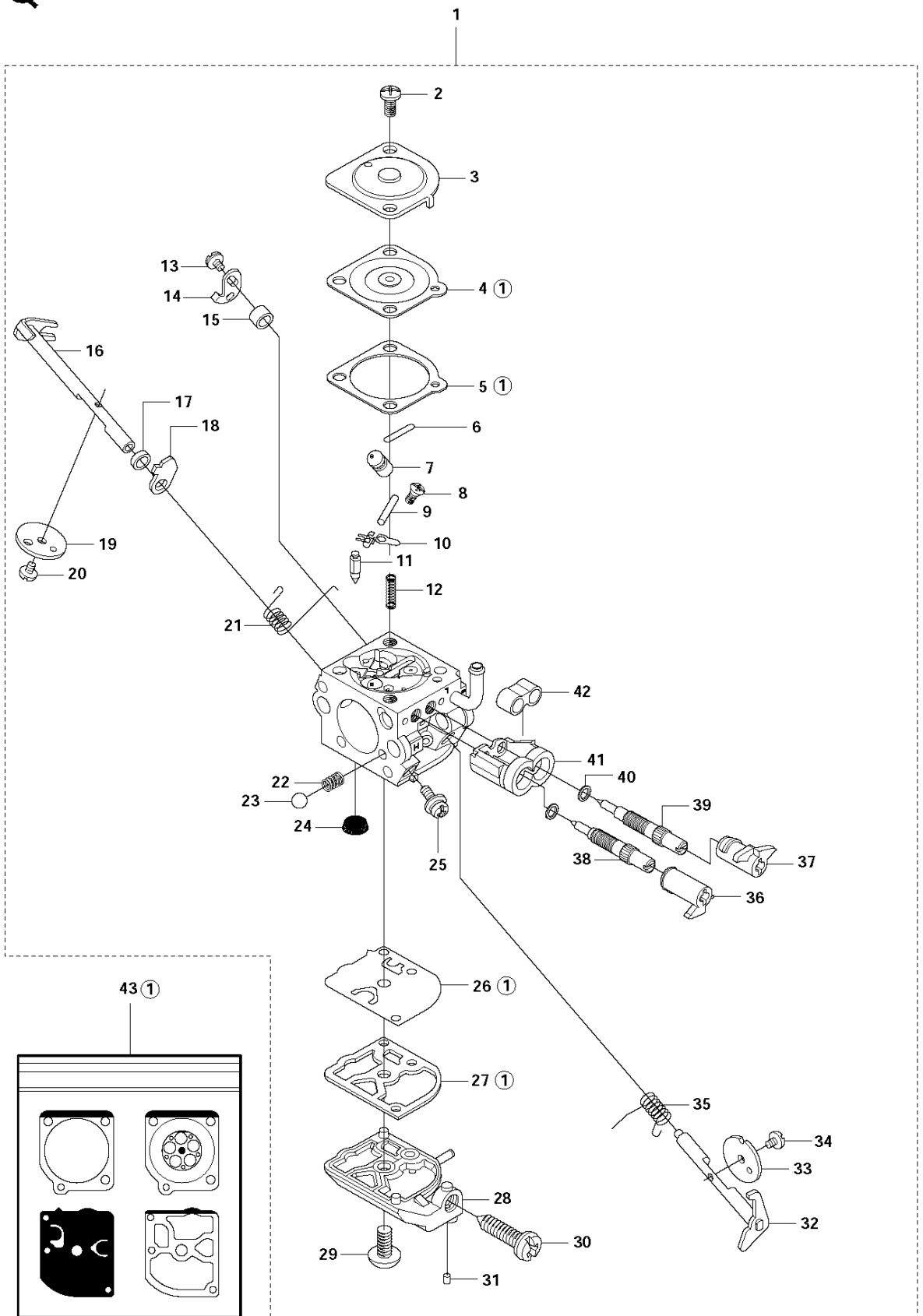
## CRANKCASE

CC2145 from 2014-12

| Ref | Part No      | Description         | Remark       | QTY | KIT |
|-----|--------------|---------------------|--------------|-----|-----|
| 1   | 537 23 04-01 | CRANKCASE           |              | 1   |     |
| 2   | 503 26 02-04 | SEALING RING        |              | 1   | 1   |
| 3   | 720 13 07-10 | PARALLEL PIN        |              | 2   | 1   |
| 4   | 503 94 80-01 | GASKET              |              | 1   | 1   |
| 5   | 738 22 02-25 | BALL BEARING        |              | 2   | 1   |
| 6   | 725 53 31-55 | SCREW IHSCM         |              | 4   | 1   |
| 7   | 505 27 57-19 | SEALING RING        |              | 1   | 1   |
| 8   | 502 08 96-01 | CABLE HOLDER        |              | 1   |     |
| 9   | 503 73 58-01 | BUSHING             |              | 1   |     |
| 10  | 537 28 05-01 | CABLE HOLDER        |              | 1   |     |
| 11  | 537 30 94-01 | SEALING             | FC, FCS, FCW | 1   |     |
| 12  | 537 27 94-01 | WALL                | BC, CC       | 1   |     |
| 12  | 537 30 99-01 | WALL                | FC, FCS, FCW | 1   |     |
| 13  | 537 39 10-01 | SHORT CIRCUIT CABLE |              | 1   |     |

**Q** 2145  
CARBURETOR

**Zama C1Q-EL21**

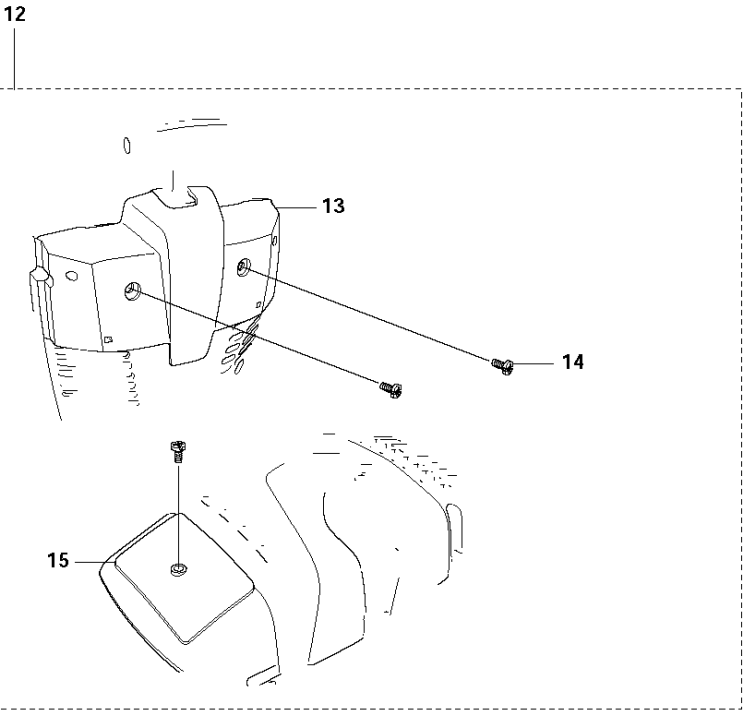
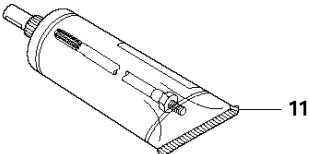
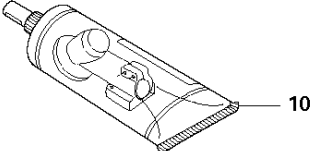
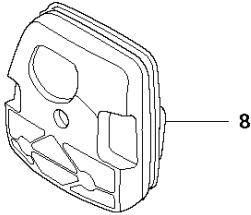
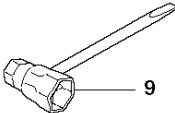
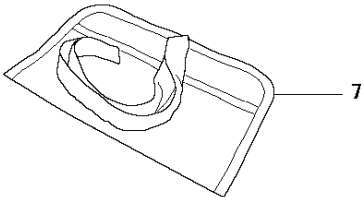
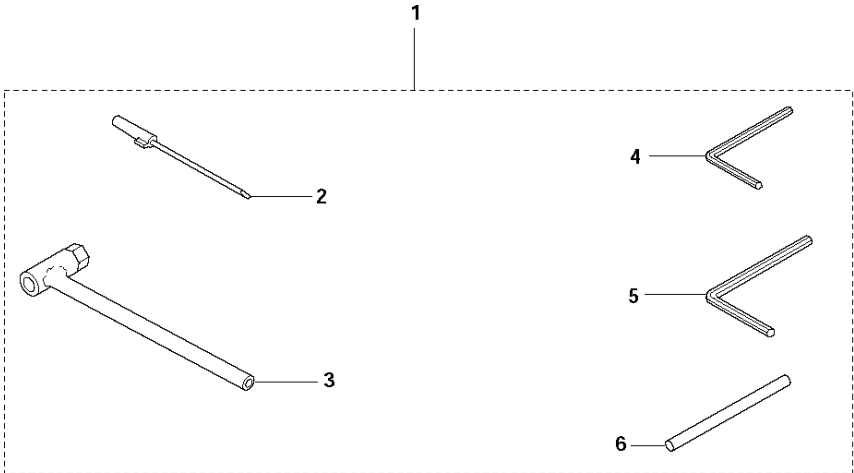


## CARBURETOR

CC2145 from 2014-12

| Ref | Part No      | Description         | Remark        | QTY | KIT  |
|-----|--------------|---------------------|---------------|-----|------|
| 1   | 503 28 31-16 | CARBURETTOR         | Zama C1Q-EL21 | 1   |      |
| 2   | 503 48 05-01 | SCREW               |               | 2   | 1    |
| 3   | 503 97 43-01 | COVER               |               | 1   | 1    |
| 4   | 503 48 02-01 | DIAPHRAGM           |               | 1   | 1,43 |
| 5   | 503 48 03-01 | GASKET              |               | 1   | 1,43 |
| 6   | 503 53 56-01 | PLUG WELCH          |               | 1   | 1    |
| 7   | 544 11 49-01 | NOZZLE ASSY         |               | 1   | 1    |
| 8   | 503 48 01-01 | SCREW               |               | 1   | 1    |
| 9   | 503 48 00-01 | PIN RETAINING SCREW |               | 1   | 1    |
| 10  | 503 66 59-01 | LEVER               |               | 1   | 1    |
| 11  | 503 47 97-01 | VALVE               |               | 1   | 1    |
| 12  | 537 02 03-01 | SPRING              |               | 1   | 1    |
| 13  | 503 47 90-01 | SCREW               |               | 1   | 1    |
| 14  | 537 01 98-01 | LEVER               |               | 1   | 1    |
| 15  | 503 47 89-01 | COLLAR              |               | 1   | 1    |
| 16  | 537 02 09-01 | SHAFT ASSY          |               | 1   | 1    |
| 17  | 503 48 19-01 | COLLAR              |               | 1   | 1    |
| 18  | 537 04 90-01 | LEVER               |               | 1   | 1    |
| 19  | 537 02 11-01 | VALVE               |               | 1   | 1    |
| 20  | 503 48 18-01 | SCREW               |               | 1   | 1    |
| 21  | 537 02 10-01 | SPRING              |               | 1   | 1    |
| 22  | 537 01 26-01 | SPRING              |               | 1   | 1    |
| 23  | 537 01 25-01 | BALL                |               | 1   | 1    |
| 24  | 503 53 57-01 | STRAINER            |               | 1   | 1    |
| 25  | 503 75 53-01 | SCREW               |               | 1   | 1    |
| 26  | 537 02 00-01 | DIAPHRAGM PUMP      |               | 1   | 1,43 |
| 27  | 537 02 01-01 | GASKET              |               | 1   | 1,43 |
| 28  | 537 02 02-01 | COVER               |               | 1   | 1    |
| 29  | 503 47 96-01 | SCREW               |               | 1   | 1    |
| 30  | 537 02 07-01 | SCREW               |               | 1   | 1    |
| 31  | 503 48 11-01 | PIECE               |               | 1   | 1    |
| 32  | 537 27 54-01 | SHAFT ASSY          |               | 1   | 1    |
| 33  | 537 38 68-01 | VALVE               |               | 1   | 1    |
| 34  | 503 47 92-01 | SCREW               |               | 1   | 1    |
| 35  | 537 28 71-01 | SPRING              |               | 1   | 1    |
| 36  | 503 90 33-01 | LIMITER CAP         | H             | 1   | 1    |
| 37  | 503 90 32-01 | LIMITER CAP         | L             | 1   | 1    |
| 38  | 537 27 56-01 | SCREW               | H             | 1   | 1    |
| 39  | 537 27 55-01 | SCREW               | L             | 1   | 1    |
| 40  | 503 97 40-01 | WASHER              |               | 2   | 1    |
| 41  | 503 90 34-01 | RETAINER            |               | 1   | 1    |
| 42  | 537 27 42-01 | BOOT                |               | 1   | 1    |
| 43  | 537 24 36-01 | GASKET KIT          | Gasket Kit    | 1   |      |

**R1** 2145  
ACCESSORIES



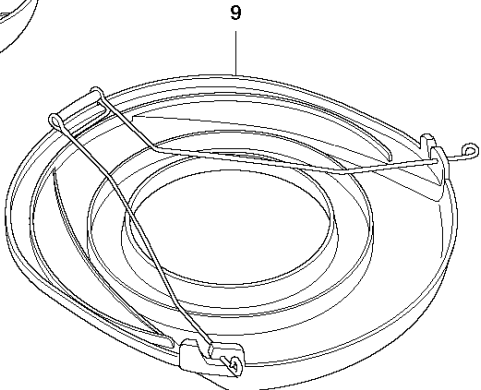
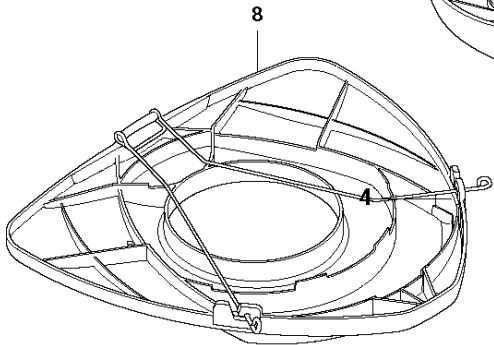
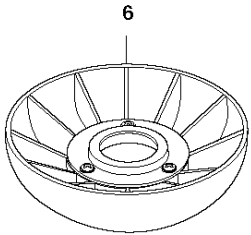
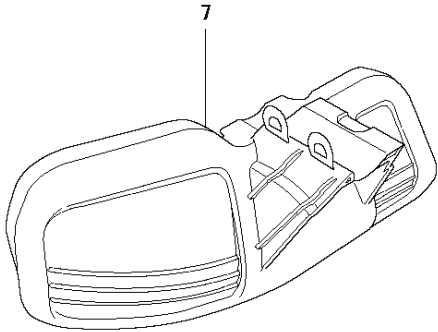
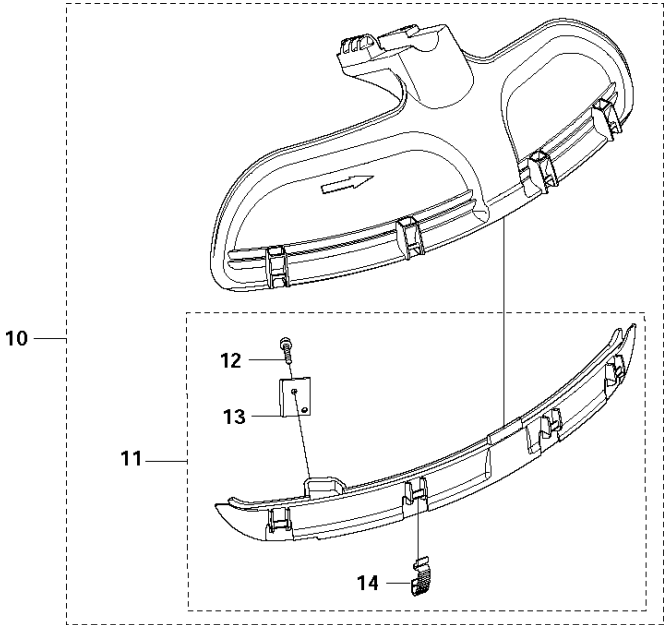
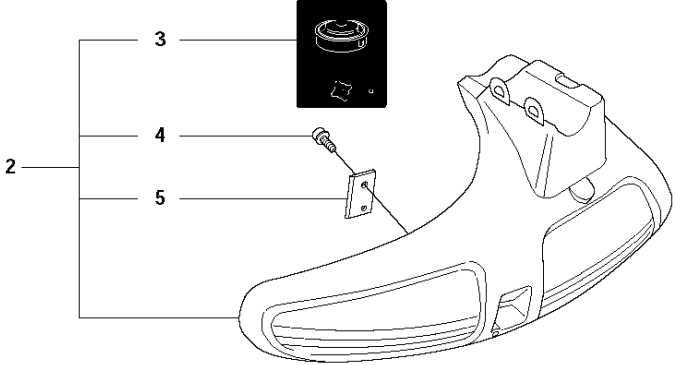
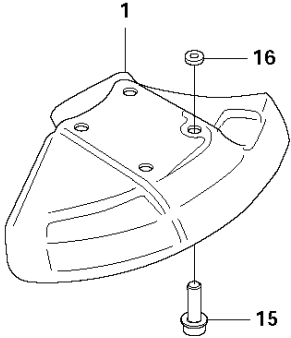


## ACCESSORIES

CC2145 from 2014-12

| Ref | Part No      | Description        | Remark                  | QTY | KIT |
|-----|--------------|--------------------|-------------------------|-----|-----|
| 1   | 502 21 60-13 | ACCESSORY BAG      |                         | 1   |     |
| 2   | 501 60 02-03 | SCREWDRIVER        |                         | 1   | 1   |
| 3   | 502 11 46-03 | KEY                |                         | 1   | 1   |
| 4   | 502 21 58-01 | WRENCH             | 4 mm                    | 1   | 1   |
| 5   | 503 55 86-02 | SPANNER            | 5 mm                    | 1   | 1   |
| 6   | 502 28 59-01 | STOP               |                         | 1   | 1   |
| 7   | 501 19 22-01 | TOOL               |                         | 1   |     |
| 8   | 537 38 11-01 | FILTER             | NYLON $\mu$ 80 = Black  | 1   |     |
| 8   | 537 38 11-02 | FILTER             | NYLON $\mu$ 44 = Yellow | 1   |     |
| 8   | 537 38 11-03 | FILTER             | FELT = White            | 1   |     |
| 8   | 537 38 11-04 | FILTER             | NYLON $\mu$ 100 = Grey  | 1   |     |
| 9   | 501 69 17-01 | COMBINATION WRENCH |                         | 1   |     |
| 10  | 503 97 65-01 | GREASE             |                         | 1   |     |
| 11  | 503 80 17-01 | GREASE             |                         | 1   |     |
| 12  | 537 41 00-01 | WINTER KIT         |                         | 1   |     |
| 13  | 537 26 54-01 | WINTER COVER       |                         | 1   | 12  |
| 14  | 503 21 70-10 | SCREW CCRPANT      |                         | 3   | 12  |
| 15  | 537 26 53-01 | WINTER COVER       |                         | 1   | 12  |

**R2** 2145  
ACCESSORIES

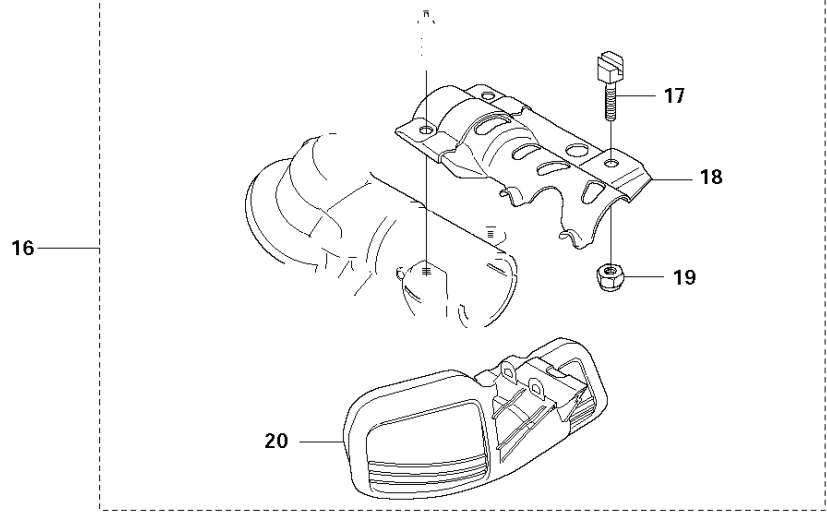
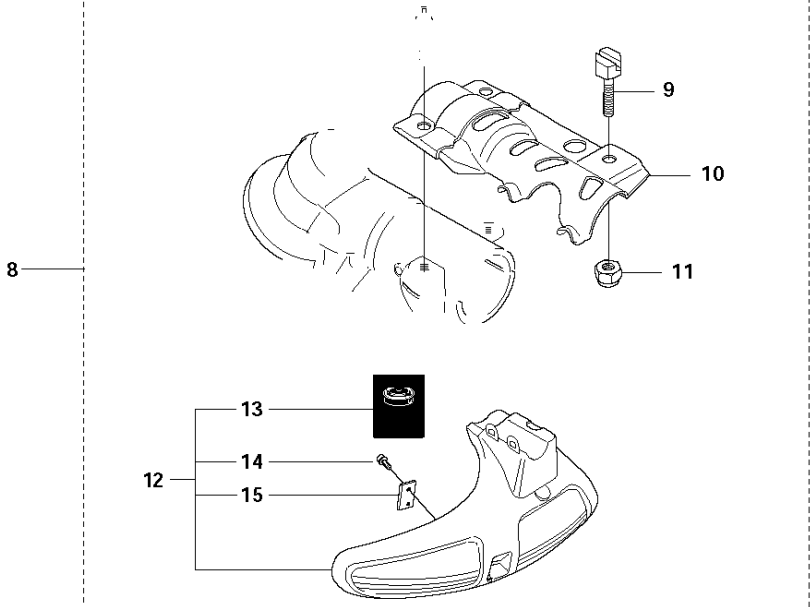
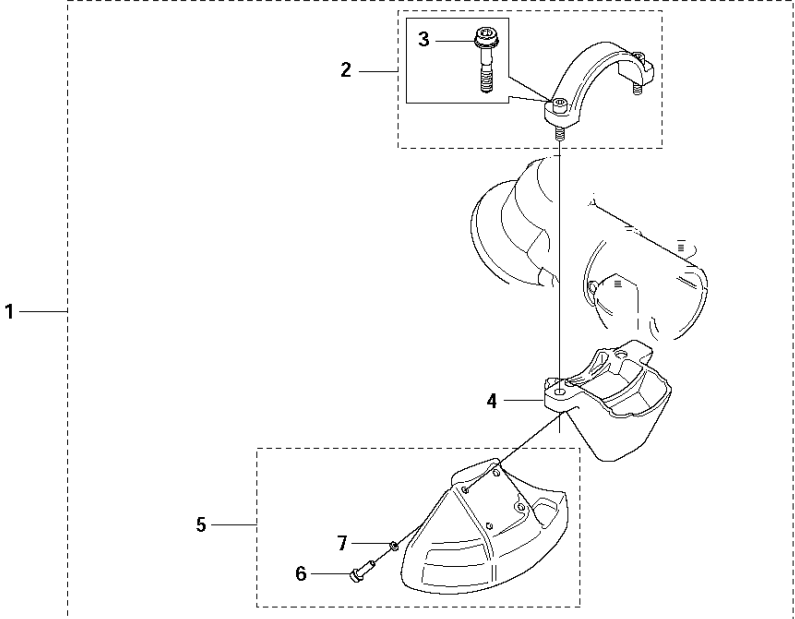


## ACCESSORIES

CC2145 from 2014-12

| Ref | Part No      | Description        | Remark                      | QTY | KIT |
|-----|--------------|--------------------|-----------------------------|-----|-----|
| 1   | 574 50 67-02 | SAW BLADE GUARD    | 225 mm, Saw blade guard     | 1   |     |
| 1   | 574 56 49-02 | BLADE GUARD        | 200 mm, Saw blade guard     | 1   |     |
| 2   | 503 95 43-03 | TRIMMER GUARD ASSY | Trimmer head guard          | 1   |     |
| 3   | 503 74 29-01 | DECAL              |                             | 1   | 2   |
| 4   | 503 21 07-16 | SCREW IH SCT       |                             | 1   | 2   |
| 5   | 503 79 88-01 | BLADE              |                             | 1   | 2   |
| 6   | 502 15 70-02 | SUPPORT CUP        |                             | 1   |     |
| 7   | 537 28 85-02 | BLADE GUARD        | Grass blade guard           | 1   |     |
| 8   | 544 35 91-01 | TRANSPORT GUARD    | 300-350 mm, Transport guard | 1   |     |
| 9   | 537 31 29-01 | TRANSPORT GUARD    | 200-275 mm, Transport guard | 1   |     |
| 10  | 544 46 43-03 | COMBINATION GUARD  | Kombi guard                 | 1   |     |
| 11  | 537 39 63-02 | SPLASH GUARD       |                             | 1   | 10  |
| 12  | 503 21 07-16 | SCREW IH SCT       |                             | 1   | 10  |
| 13  | 503 79 88-01 | BLADE              |                             | 1   | 10  |
| 14  | 537 38 72-01 | SNAP LOCKING       |                             | 4   | 10  |
| 15  | 503 20 02-16 | SCREW IH SCFM      |                             | 4   |     |
| 16  | 574 03 95-01 | LOCK NUT           |                             | 4   |     |

**R4** BC,CC 2145  
ACCESSORIES

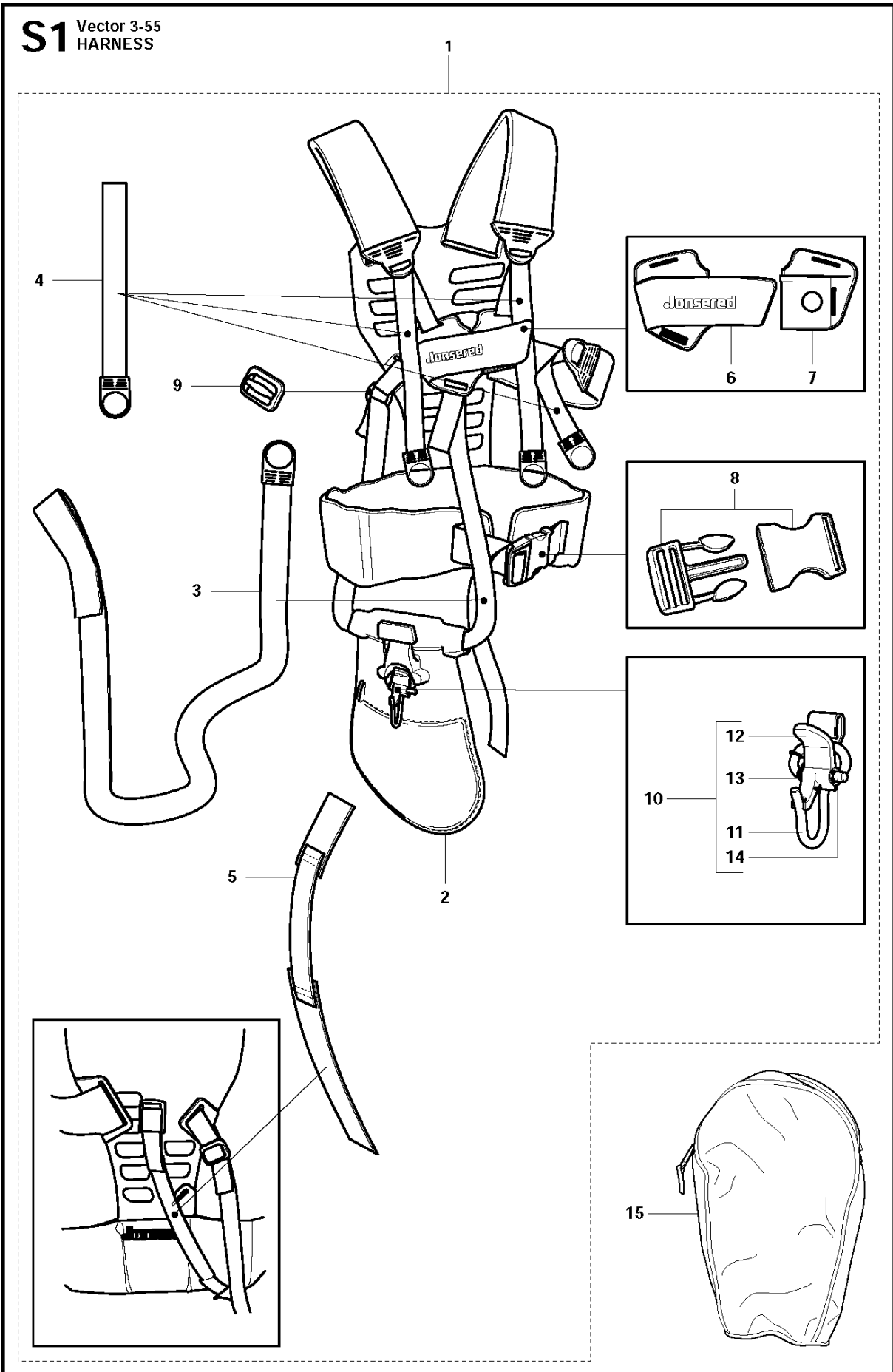


## ACCESSORIES

CC2145 from 2014-12

| Ref | Part No       | Description        | Remark                        | QTY KIT |      |
|-----|---------------|--------------------|-------------------------------|---------|------|
| 1   | 537 31 09-02  | SAW BLADE GUARD    | BC, CC                        | 1       |      |
| 2   | 504 00 65-01  | CLAMP              | Spare part with Captive Screw | 1       | 1    |
| 3   | 503 20 02-20  | SCREW IHSCFM       | Captive Screw                 | 2       | 1,2  |
| 4   | 504 00 33-01  | ADAPTER            |                               | 1       | 1    |
| 5   | 537 21 71-04  | BLADE GUARD        | 200mm                         | 1       | 1    |
| 6   | 503 20 03-16  | SCREW IHSCFM       |                               | 4       | 1,5  |
| 7   | 574 03 95-010 | TBD                |                               | 4       | 1,5  |
| 8   | 537 29 73-02  | TRIMMER GUARD ASSY | FC, FCS, FCW                  | 1       |      |
| 9   | 537 18 95-01  | SCREW              |                               | 1       | 8    |
| 10  | 537 23 03-01  | ATTACHMENT PLATE   |                               | 1       | 8    |
| 11  | 732 21 16-01  | LOCK NUT           |                               | 1       | 8    |
| 12  | 503 95 43-04  | TRIMMER GUARD      |                               | 1       | 8    |
| 13  | 503 74 29-01  | DECAL              |                               | 1       | 8,12 |
| 14  | 503 21 07-16  | SCREW IHSCFM       |                               | 1       | 8,12 |
| 15  | 537 28 53-01  | BLADE              |                               | 1       | 8,12 |
| 16  | 537 29 74-02  | COVER              | FC, FCS, FCW                  | 1       |      |
| 17  | 537 18 95-01  | SCREW              |                               | 1       | 16   |
| 18  | 537 23 03-01  | ATTACHMENT PLATE   |                               | 1       | 16   |
| 19  | 732 21 16-01  | LOCK NUT           |                               | 1       | 16   |
| 20  | 537 28 85-02  | BLADE GUARD        |                               | 1       | 16   |

**S1** Vector 3-55  
HARNESS

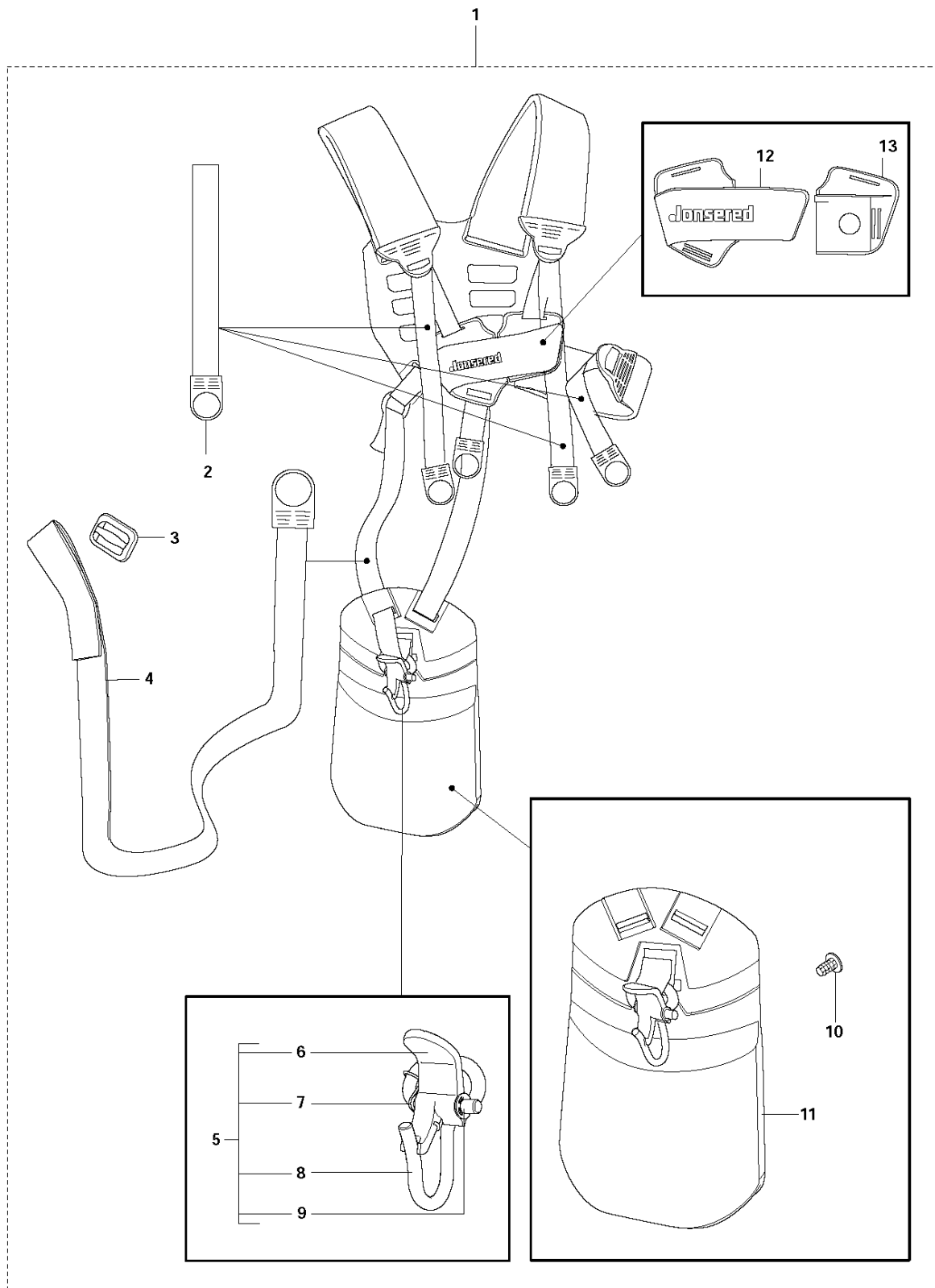


## HARNES

CC2145 from 2014-12

| Ref | Part No      | Description | Remark               | QTY | KIT |
|-----|--------------|-------------|----------------------|-----|-----|
| 1   | 504 04 53-01 | HARNES      | BC, FCS, FCW         | 1   |     |
| 1   | 505 40 63-01 | HARNES      | US                   | 1   | 1   |
| 2   | 544 90 17-02 | HIP PAD     |                      | 1   | 1   |
| 3   | 503 99 61-05 | BAND        |                      | 1   | 1   |
| 4   | 503 99 61-01 | BAND        |                      | 3   | 1   |
| 5   | 537 15 35-02 | STRAP       |                      | 1   | 1   |
| 6   | 537 27 70-01 | FRONT PIECE |                      | 1   | 1   |
| 7   | 537 27 69-01 | FRONT PIECE |                      | 1   | 1   |
| 8   | 537 33 15-01 | BUCKLE      |                      | 1   | 1   |
| 9   | 537 11 35-01 | RETAINER    |                      | 1   | 1   |
| 10  | 544 96 07-02 | WELT HOOK   |                      | 1   | 1   |
| 11  | 502 02 29-02 | HOOK        |                      | 1   | 1,1 |
| 12  | 502 02 30-02 | LOCK        |                      | 1   | 1,1 |
| 13  | 586 34 10-01 | SPRING      |                      | 1   | 1,1 |
| 14  | 735 31 09-20 | E-CLIP      |                      | 1   | 1,1 |
| 15  | 537 30 66-01 | BAG         | Vector 3-55 Tool bag | 1   |     |

**S2** Vector 2-55, 2-35  
HARNESS





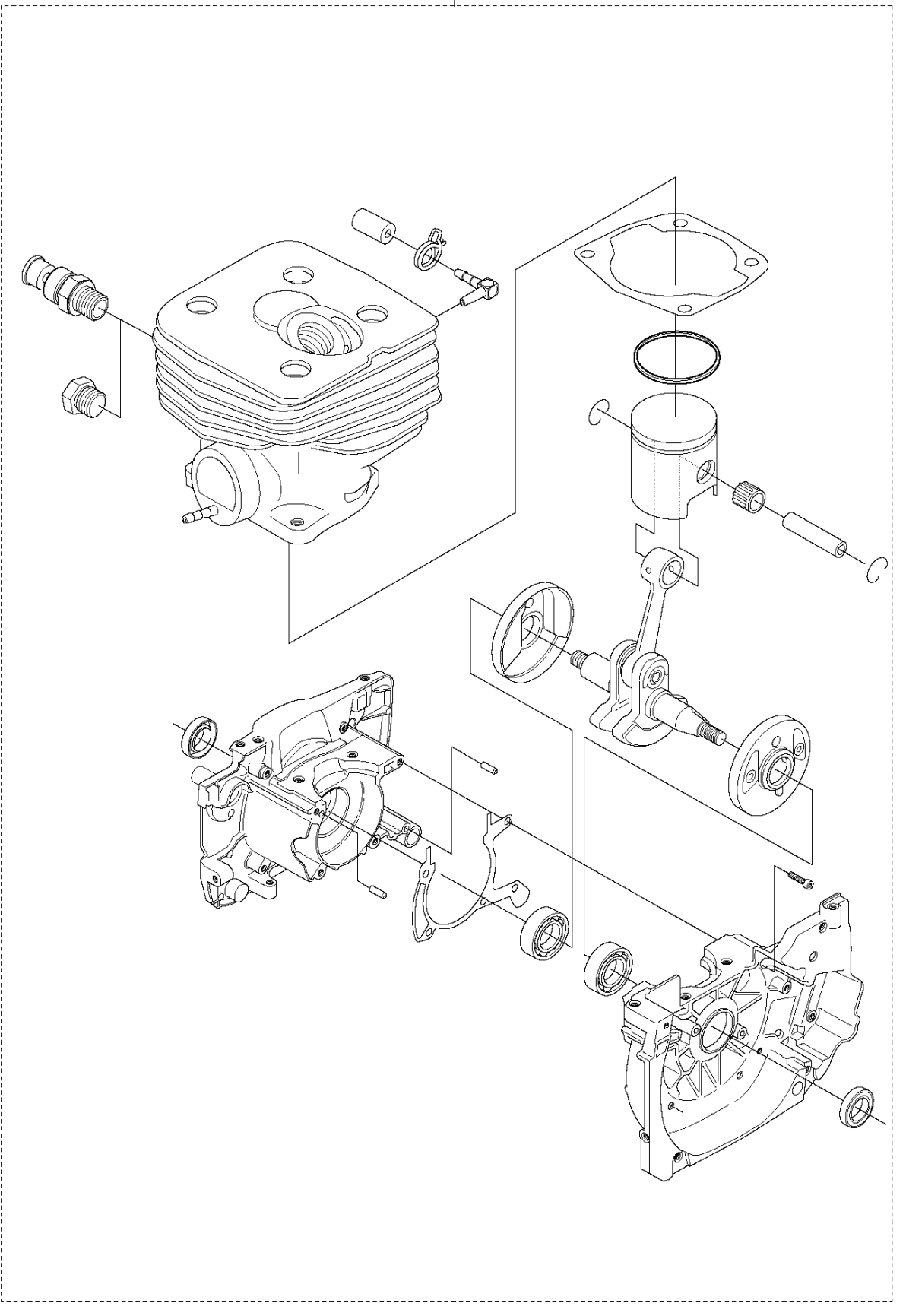
## HARNESS

CC2145 from 2014-12

| Ref | Part No      | Description | Remark | QTY KIT |     |
|-----|--------------|-------------|--------|---------|-----|
| 1   | 537 27 58-01 | HARNESS     | FC, CC | 1       |     |
| 1   | 537 27 58-03 | HARNESS     | US     | 1       |     |
| 2   | 503 99 61-01 | BAND        |        | 3       | 1   |
| 3   | 537 11 35-01 | RETAINER    |        | 1       | 1   |
| 4   | 503 99 61-03 | BAND        |        | 1       | 1   |
| 5   | 502 02 28-01 | HOOK        |        | 1       | 1   |
| 6   | 502 02 30-02 | LOCK        |        | 1       | 1,5 |
| 7   | 586 34 10-01 | SPRING      |        | 1       | 1,5 |
| 8   | 502 02 29-02 | HOOK        |        | 1       | 1,5 |
| 9   | 735 31 09-20 | E-CLIP      |        | 1       | 1,5 |
| 10  | 537 17 54-01 | HIP PAD     |        | 3       | 1   |
| 11  | 537 27 59-02 | HIP PAD     |        | 1       | 1   |
| 12  | 537 27 70-01 | FRONT PIECE |        | 1       | 1   |
| 13  | 537 27 69-01 | FRONT PIECE |        | 1       | 1   |

**T** 2145  
SHORT BLOCK

1



SHORT BLOCK

CC2145 from 2014-12

| Ref | Part No      | Description | Remark    | QTY KIT |
|-----|--------------|-------------|-----------|---------|
| 1   | 576 82 97-01 | SHORT BLOCK | Assembled | 1       |

# Illustrated Parts List - IPL Update



Product Name(s)

**CC2145**

Description of change

New spare part kit including attachment plate, screw and locking nut.

Comments

Fully interchangeable

Introduced from

| Serial number / Date | Remark           |
|----------------------|------------------|
| 2019-12              | Attachment plate |
|                      |                  |
|                      |                  |
|                      |                  |

IPL updates

| Page title | Ref . no | New part no | Name             | Excl. part no. | Remark   |
|------------|----------|-------------|------------------|----------------|--|
| BEVEL GEAR | 17       | 583972401   | Attachment plate | 503954503      | New kit replacing screw 537189501, attachment plate 503954503 and lock nut 732211601 |
|            |          |             |                  |                |  |