

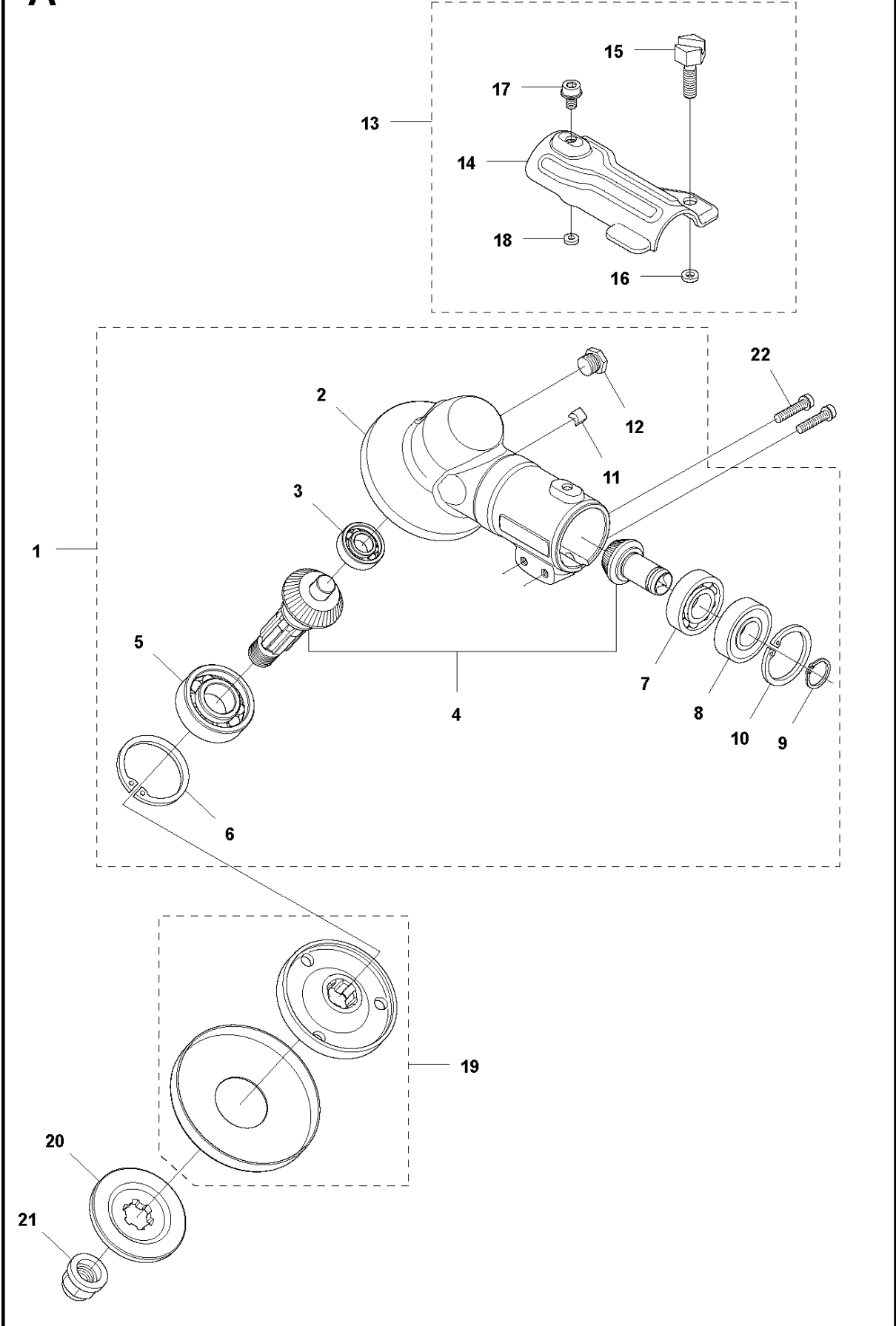


# SPARE PARTS LIST

BRUSHCUTTERS/CLEARING SAWS

GC2236 from 2014-12

**A** GC 2236  
BEVEL GEAR

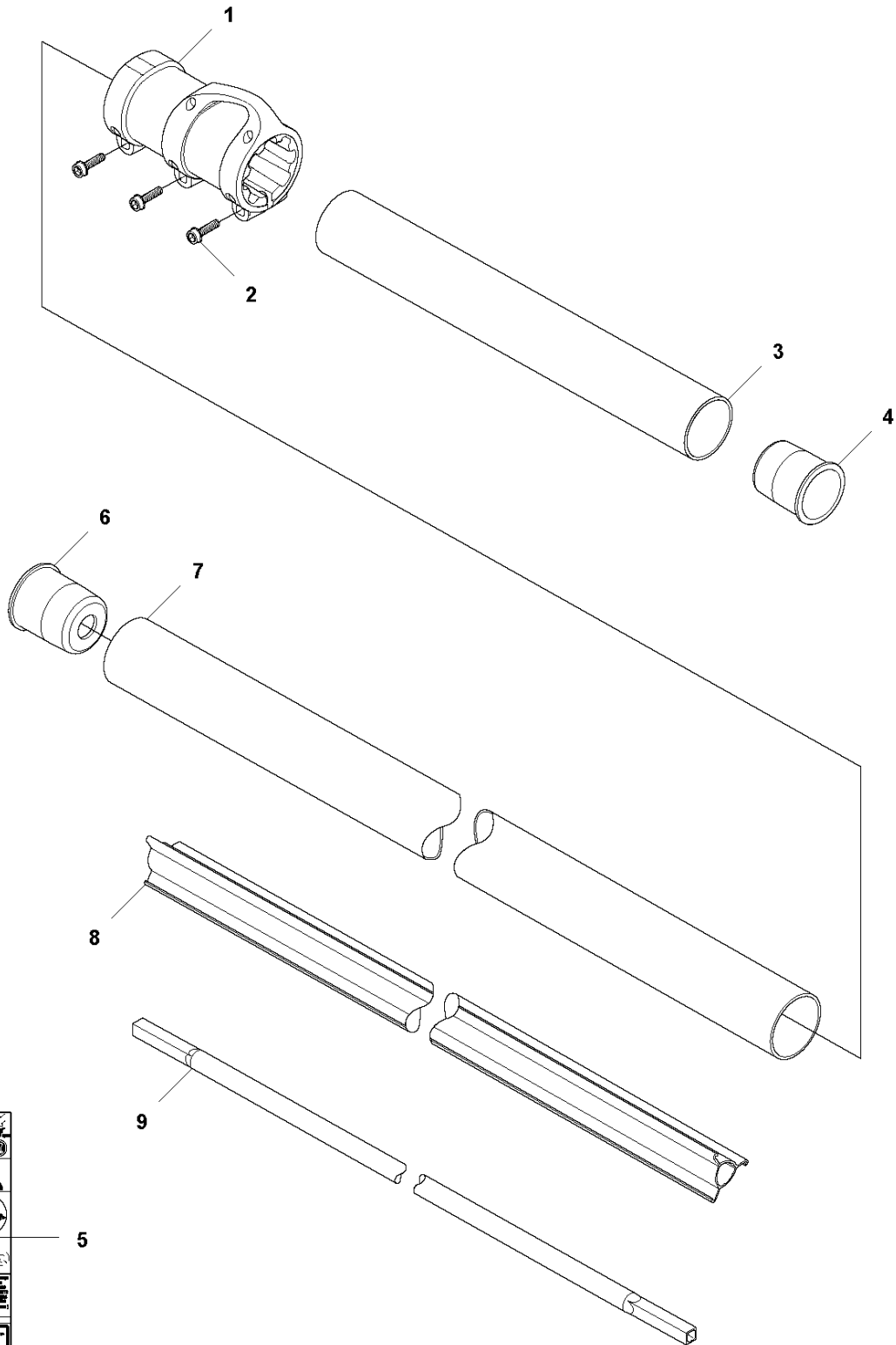


## BEVEL GEAR

GC2236 from 2014-12

Ref	Part No	Description	Remark	QTY	KIT
1	537 29 58-02	BEVEL GEAR		1	
2	537 29 59-02	GEAR HOUSING		1	1
3	738 21 99-00	BALL BEARING		1	1
4	505 13 34-01	SPARE PARTS KIT		1	1
5	503 25 28-01	BALL BEARING		1	1
6	735 31 31-10	CIRCLIP		1	1
7	738 21 01-10	BALL BEARING		1	1
8	738 21 01-12	BALL BEARING		1	1
9	735 31 14-00	CIRCLIP		1	1
10	735 31 28-10	CIRCLIP		1	1
11	537 14 74-01	MAGNET		1	1
12	503 20 15-01	SCREW		1	1
13	574 30 68-01	CLAMP		1	
14	544 08 76-01	CLAMP		1	13
15	537 18 95-01	SCREW		1	13
16	732 21 16-01	LOCK NUT		1	13
17	503 20 02-10	SCREW IHSCFM		1	13
18	574 03 95-01	LOCK NUT		1	13
19	537 35 14-02	DRIVER		1	
20	537 34 35-01	SUPPORT FLANGE		1	
21	502 29 11-01	BLADE NUT		1	
22	503 20 03-25	SCREW IHSCFM		2	

**B** GC 2236  
SHAFT

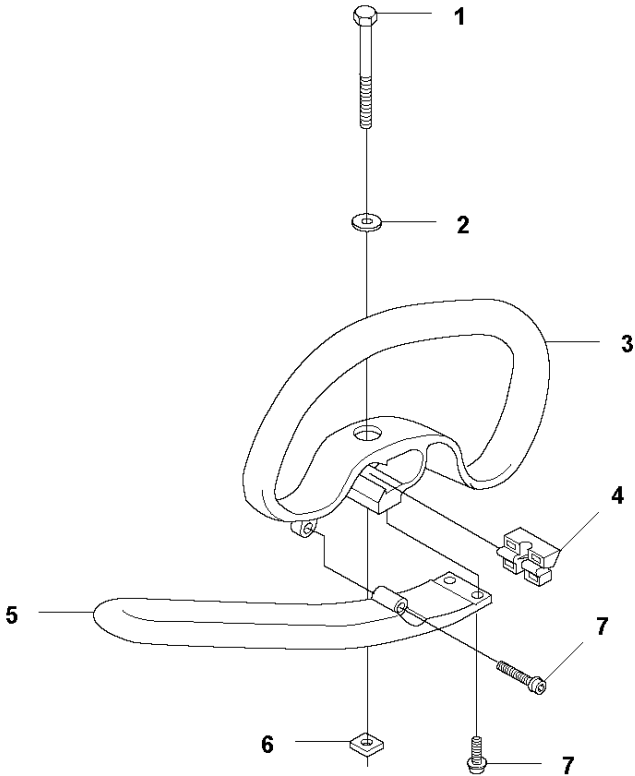


## SHAFT

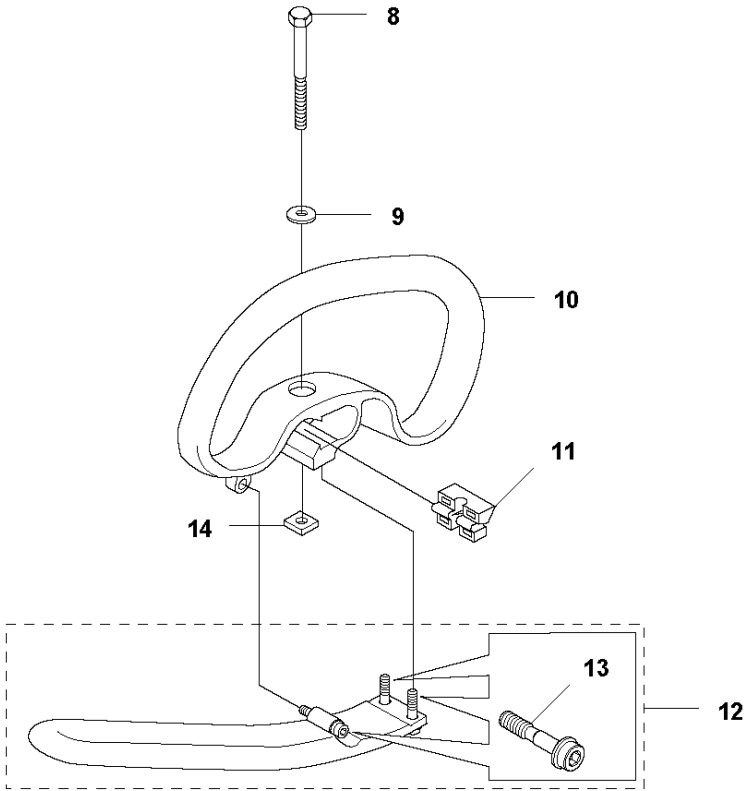
GC2236 from 2014-12

Ref	Part No	Description	Remark	QTY KIT
1	544 10 18-01	SLEEVE		1
2	544 25 40-01	SCREW		1
3	537 18 26-10	TUBE	Ø = 24 mm, L = 330 mm	1
4	537 33 44-02	SPACER		1
5	589 29 51-01	LABEL		1
6	537 36 02-01	SPACER		1
7	537 21 41-02	TUBE	Ø = 28 mm, L = 1152 mm	1
8	537 31 39-02	GUIDE	Ø = 9 mm, L = 1115 mm	1
9	537 35 52-01	DRIVE SHAFT	Ø = 8 mm, L = 1527 mm	1

**C** GC 2236  
HANDLE



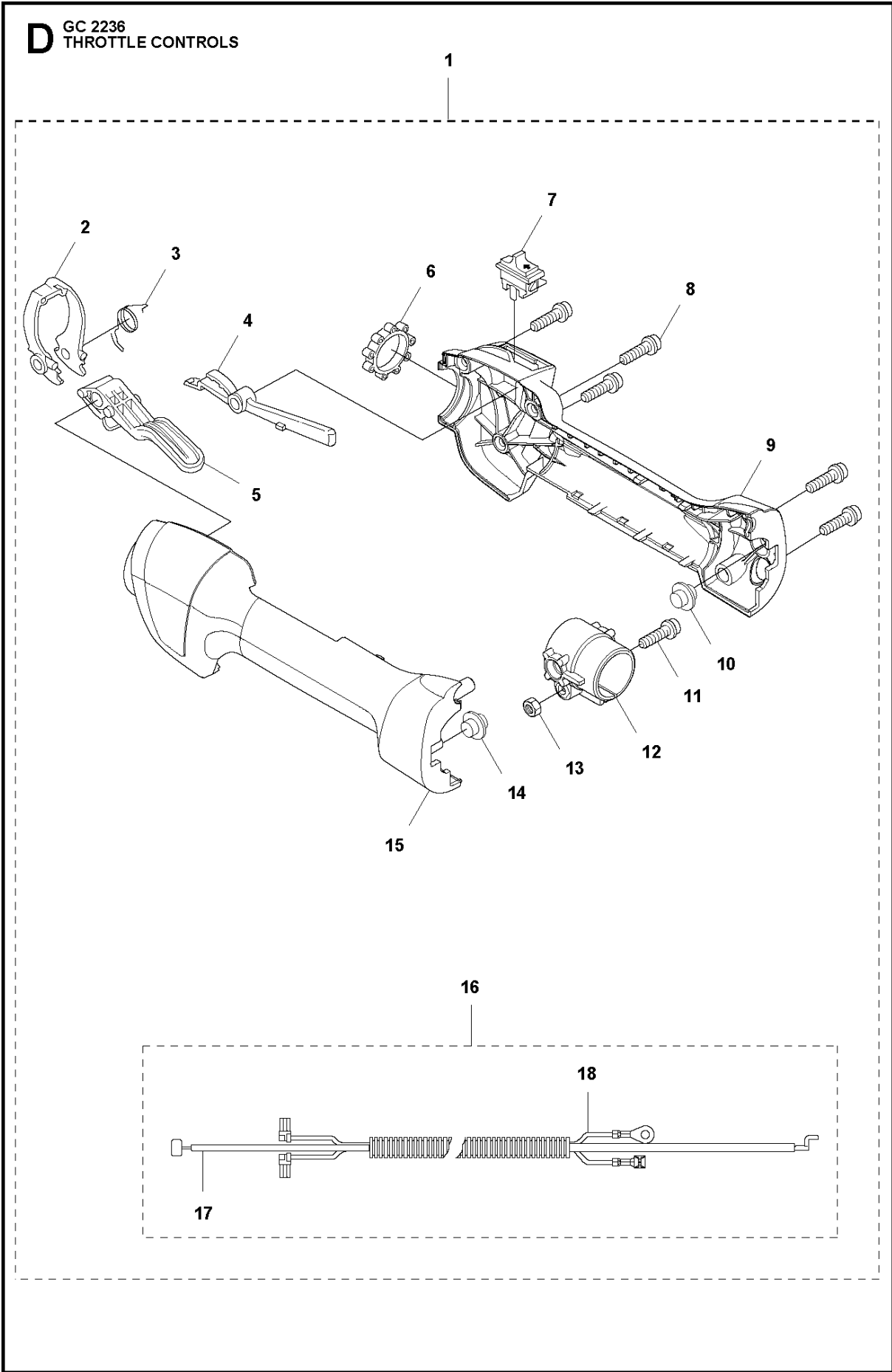
**Captive Screws**



## HANDLE

GC2236 from 2014-12

Ref	Part No	Description	Remark	QTY	KIT
1	725 23 78-51	SCREW EHHM		1	
2	503 23 00-61	WASHER		1	
3	544 10 10-03	HANDLE LOOP		1	
4	544 10 11-02	SPACING BLOCK		1	
5	503 99 78-02	HANDLE		1	
6	502 19 71-01	SQUARE NUT		1	
7	503 21 68-16	SCREW IHSCCT	M5 x16	3	
8	725 23 78-51	SCREW EHHM		1	
9	503 23 00-61	WASHER		1	
10	544 10 10-06	HANDLE.LOOP	Captive Screws	1	
11	544 10 11-02	SPACING BLOCK		1	
12	503 99 78-05	HANDLE	Spare part with Captive Screw	1	
13	574 18 15-01	SCREW IHSCFTO	Captive Screw	3	12
14	502 19 71-01	SQUARE NUT		1	



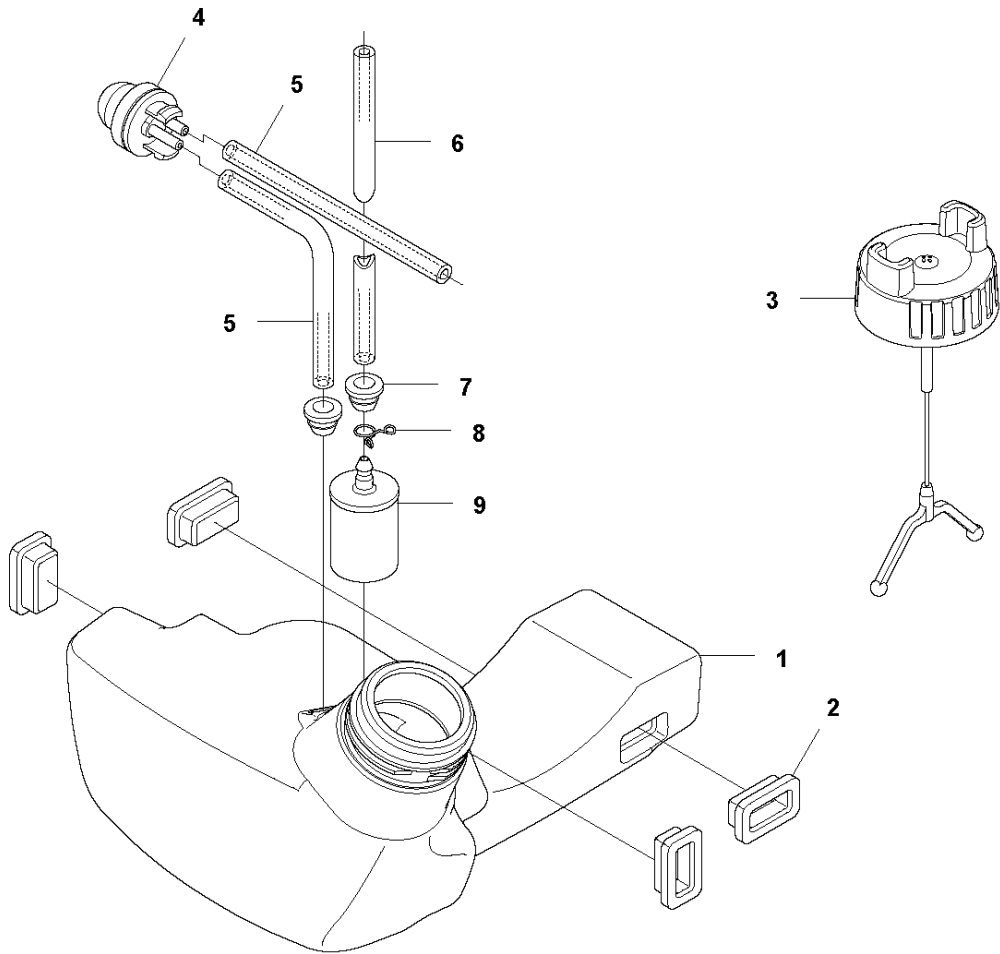


## THROTTLE CONTROLS

GC2236 from 2014-12

Ref	Part No	Description	Remark	QTY	KIT
1	544 14 36-03	CONTROL		1	
2	503 91 81-01	THROTTLE LEVER		1	1
3	544 10 08-01	RECOIL SPRING		1	1
4	503 87 80-02	THROTTLE LOCKOUT		1	1
5	503 87 79-04	THROTTLE TRIGGER		1	1
6	503 96 14-01	ABSORBER		1	1
7	537 41 90-01	SWITCH		1	1
8	503 21 66-18	SCREW IHSC T		5	1
9	544 23 84-02	HANDLE HALF		1	1
10	544 10 17-02	DAMPER		1	1
11	503 20 03-20	SCREW IHSCFM		1	1
12	544 11 21-01	RETAINER		1	1
13	731 23 14-01	HEXAGON NUT		1	1
14	544 10 17-02	DAMPER		1	1
15	544 23 85-02	HANDLE HALF		1	1
16	544 14 49-01	WIRING ASSY		1	1
17	544 17 17-02	THROTTLE WIRE ASSY		1	1, 16
18	503 87 85-06	SHORT CIRCUIT CABLE		1	1, 16

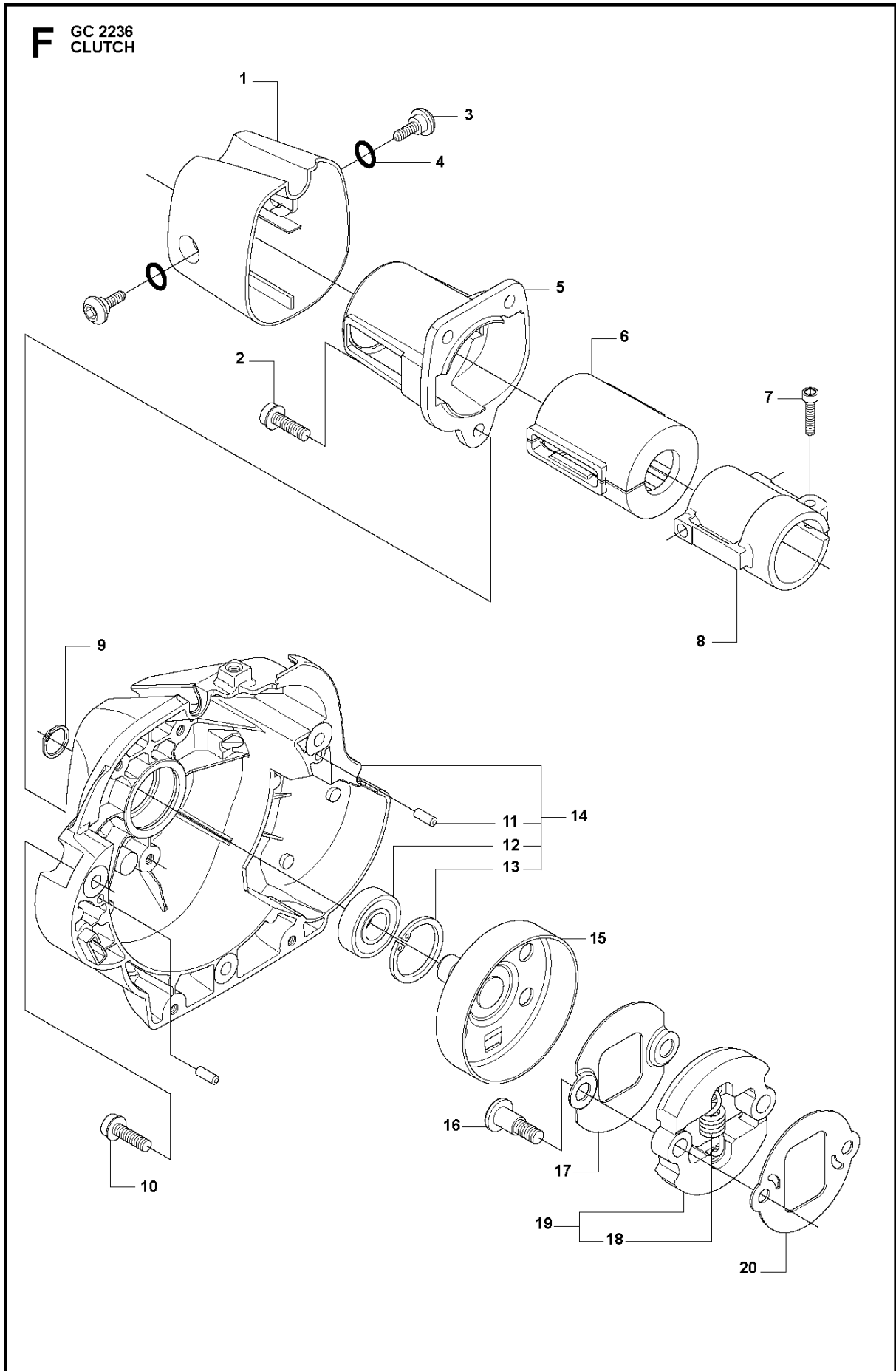
**E** GC 2236  
FUEL TANK



## FUEL TANK

GC2236 from 2014-12

Ref	Part No	Description	Remark	QTY KIT
1	544 32 88-01	TANK ASSY		1
2	503 91 10-01	SUSPENSION		4
3	544 88 97-02	TANK CAP		1
4	503 93 66-01	PURGE		1
5	537 04 24-12	FUEL HOSE		2
6	537 05 23-01	FUEL HOSE		1
7	503 73 58-01	BUSHING		2
8	537 18 49-01	O-RING		1
9	503 44 32-01	FUEL FILTER		1

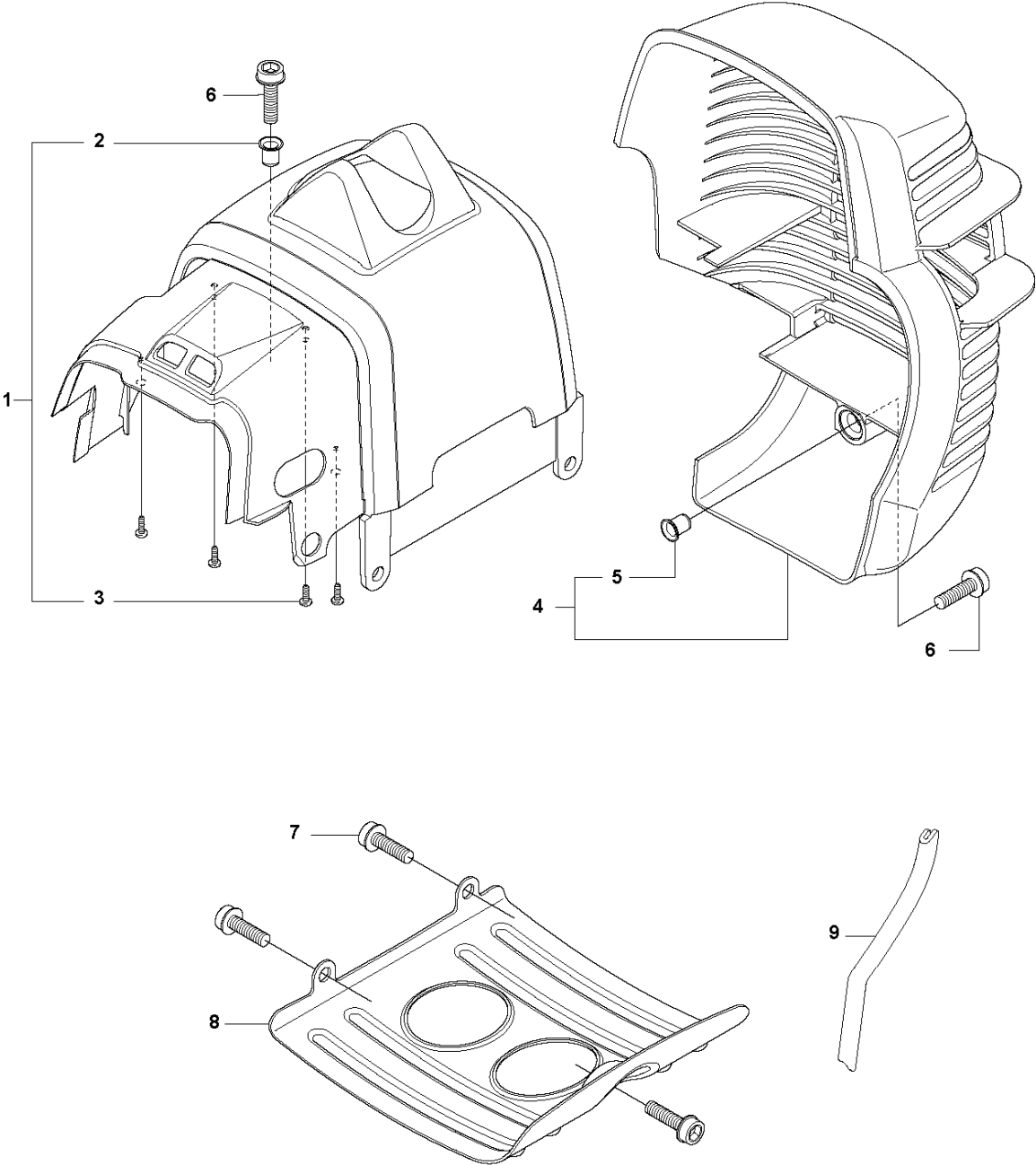


## CLUTCH

GC2236 from 2014-12

Ref	Part No	Description	Remark	QTY	KIT
1	544 11 97-02	COVER		1	
2	503 20 03-20	SCREW IHSCFM		3	
3	503 96 13-01	SCREW		2	
4	740 42 06-00	O-RING		2	
5	537 31 00-01	COVER		1	
6	537 32 27-01	ANTIVIBRATION ELEMENT		1	
7	725 53 33-55	SCREW IHSCM		1	
8	537 31 01-02	COMPRESSION SLEEVE		1	
9	735 31 14-00	CIRCLIP		1	
10	503 20 03-20	SCREW IHSCFM		3	
11	503 24 07-02	PARALLEL PIN		2	14
12	738 21 01-04	BALL BEARING		1	14
13	735 31 28-10	CIRCLIP		1	14
14	537 30 29-03	CLUTCH COVER		1	
15	537 35 29-01	CLUTCH DRUM		1	
16	537 41 81-01	SCREW		2	
17	537 41 57-01	WASHER		1	
18	537 42 72-01	SPRING		1	19
19	537 34 04-01	CLUTCH		1	
20	537 04 68-01	WASHER		1	

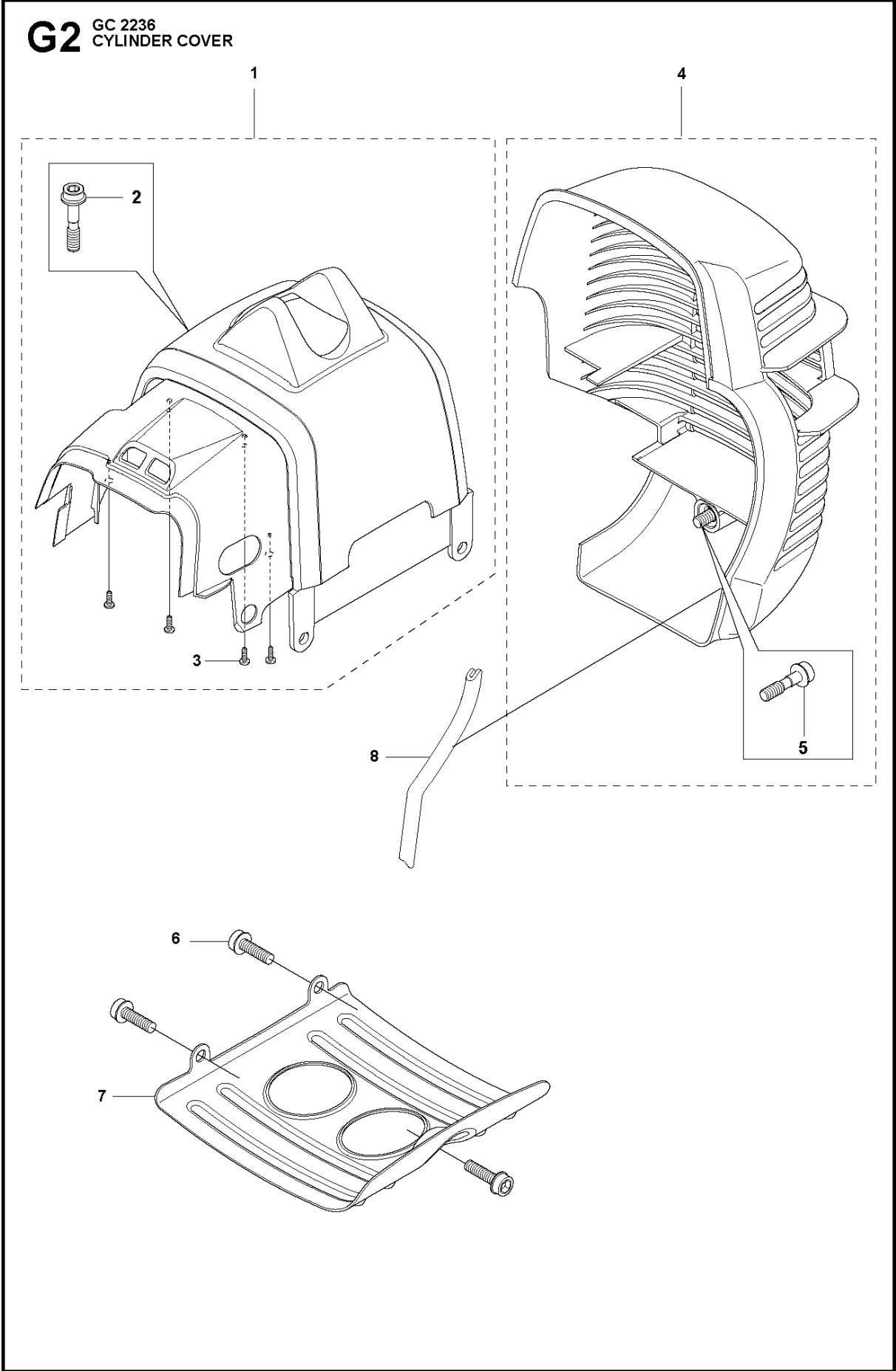
**G1** GC 2236  
CYLINDER COVER



CYLINDER COVER

GC2236 from 2014-12

Ref	Part No	Description	Remark	QTY	KIT
1	544 14 20-01	CYLINDER COVER		1	
2	537 37 38-02	TUBULAR RIVET		1	1
3	503 21 29-10	SCREW CCRPANT		4	1
4	544 14 46-01	HEAT PROTECTOR		1	
5	537 37 38-03	TUBULAR RIVET		1	4
6	503 20 03-20	SCREW IHSCFM		2	
7	503 21 75-16	SCREW IHSCFT		3	
8	537 35 72-01	PROTECTIVE PLATE		1	
9	544 02 98-01	BAR		1	



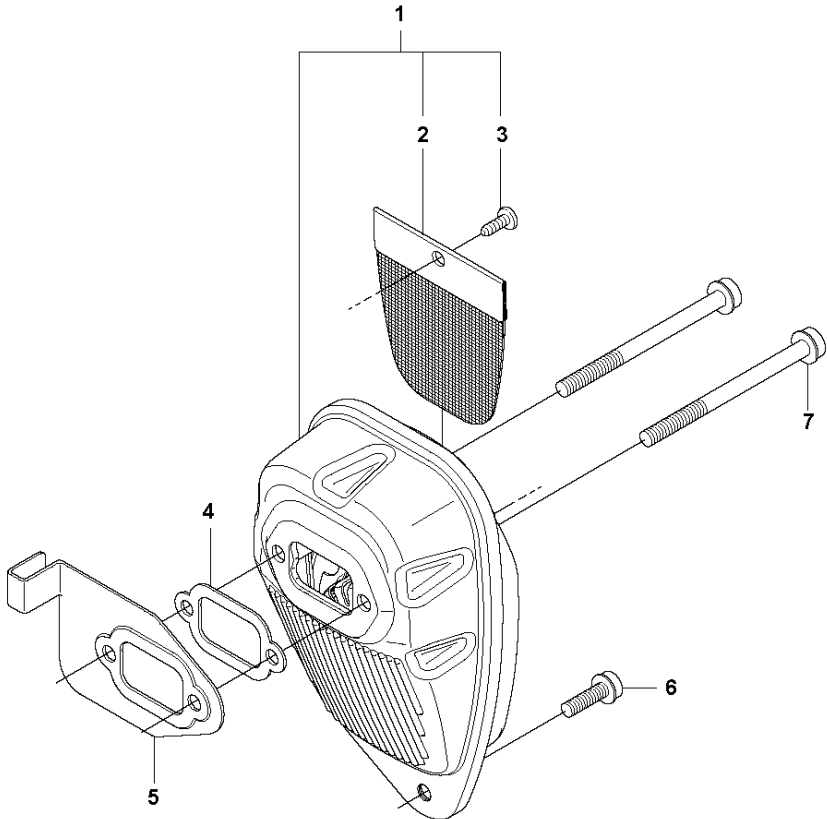


## CYLINDER COVER

GC2236 from 2014-12

Ref	Part No	Description	Remark	QTY	KIT
1	544 14 20-02	CYLINDER COVER	Spare part with Captive Screw	1	
2	573 99 43-04	SCREW IHSCFMO	Captive Screw	1	1
3	503 21 29-10	SCREW CCRPANT		4	1
4	544 14 46-02	HEAT PROTECTOR	Spare part with Captive Screw	1	
5	537 42 51-02	HEAT PROTECTOR	Captive Screw	1	4
6	503 21 75-16	SCREW IHSCFT		3	
7	537 35 72-01	PROTECTIVE PLATE		1	
8	544 02 98-01	BAR		1	

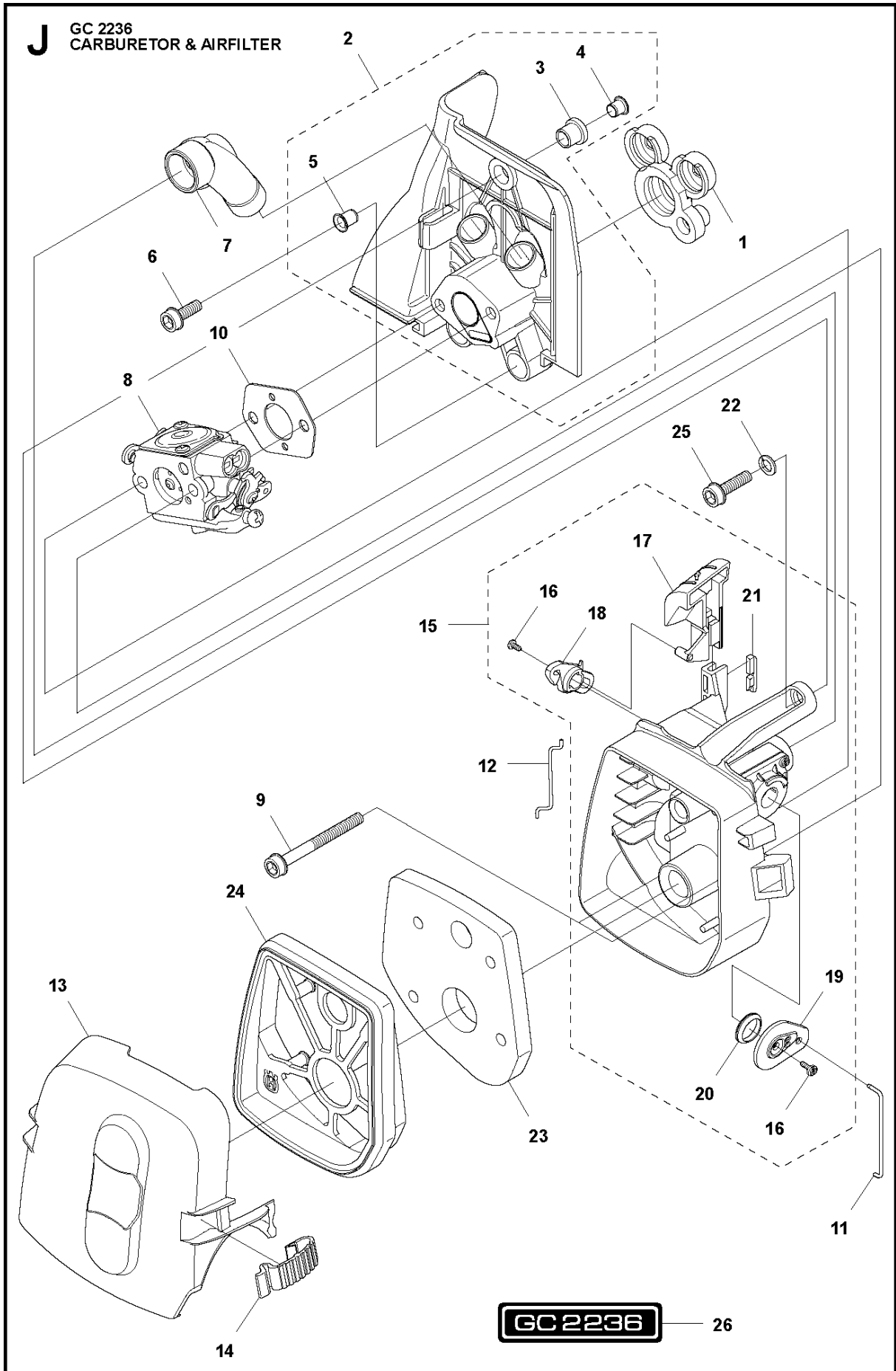
**H** GC 2236  
MUFFLER



## MUFFLER

GC2236 from 2014-12

Ref	Part No	Description	Remark	QTY	KIT
1	505 40 86-01	MUFFLER ASSY		1	
2	544 11 68-01	SPARK ARRESTER SCREEN		1	1
3	724 12 87-59	SCREW CRPANM		1	1
4	537 33 31-01	GASKET		1	
5	537 34 08-01	AIR CONDUCTOR		1	
6	503 20 03-20	SCREW IHSCFM		1	
7	503 20 29-63	SCREW IHSCFM		2	

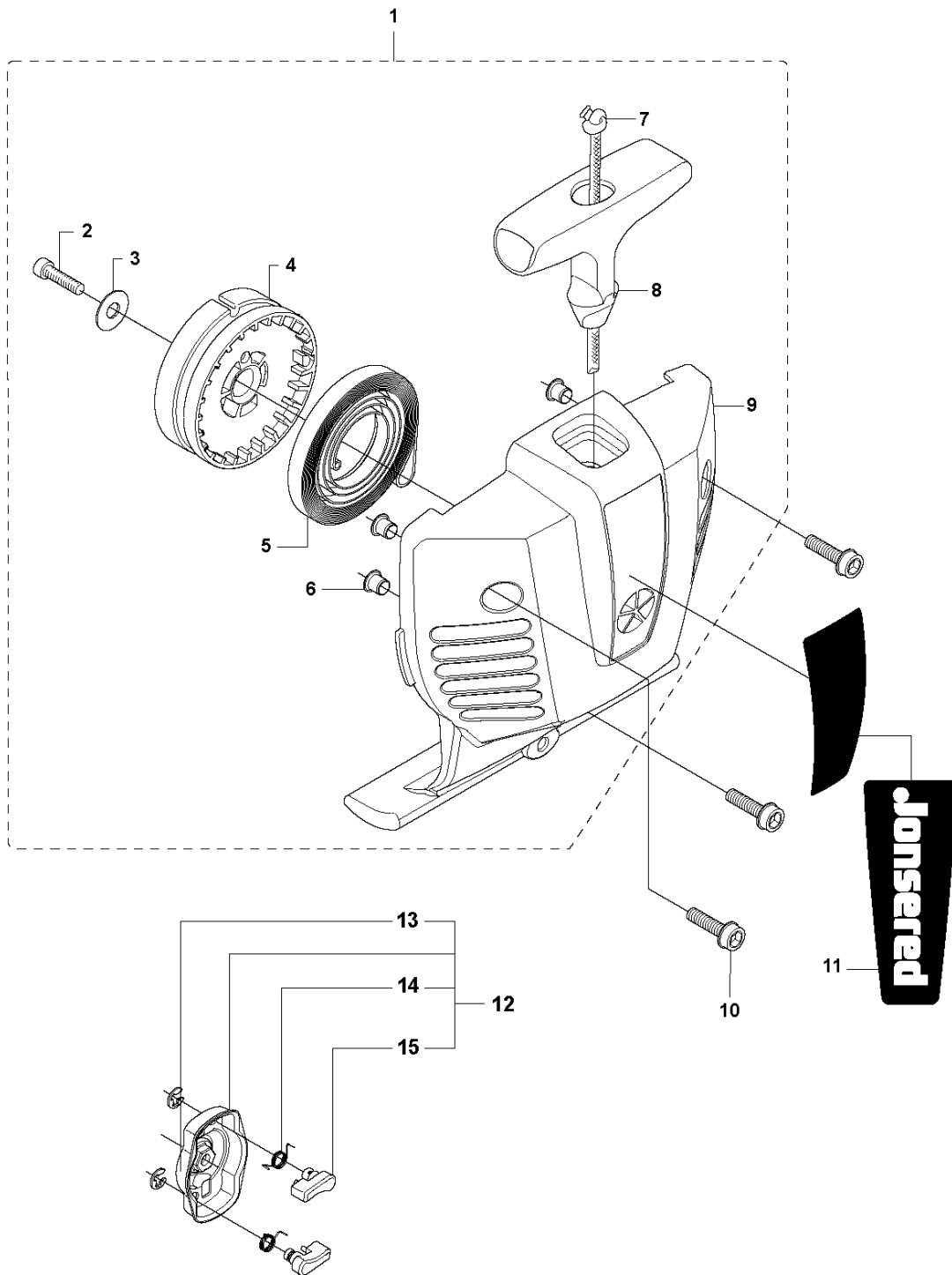


## CARBURETOR &amp; AIR FILTER

GC2236 from 2014-12

Ref	Part No	Description	Remark	QTY KIT	
1	537 33 43-01	INLET PIPE		1	
2	537 37 12-02	INSULATION WALL		1	
3	537 37 11-01	SLEEVE		1	2
4	544 01 91-01	TUBULAR RIVET		1	2
5	537 37 38-03	TUBULAR RIVET		2	2
6	503 20 03-16	SCREW IHSCFM		2	
7	537 34 13-01	AIR DUCT		1	
8	581 16 75-01	CARBURETTOR	ZAMA C1Q-EL36	1	
9	503 21 75-50	SCREW IHSCFT		2	
10	503 49 71-01	GASKET		1	
11	537 34 90-01	LEVER		1	
12	544 37 27-01	SLEEVING BRACKET		1	
13	544 12 65-01	FILTER COVER		1	
14	537 38 72-01	SNAP LOCKING		2	
15	537 31 41-01	FILTER HOLDER		1	
16	503 21 29-06	SCREW CCRPANT		2	15
17	537 33 71-01	CHOKE CONTROL		1	15
18	537 35 58-01	LEVER		1	15
19	544 01 46-01	LEVER		1	15
20	544 01 47-01	BELLOWS		1	15
21	544 02 58-01	BAR		1	15
22	503 23 10-06	WASHER		1	
23	537 33 72-01	FILTER		1	
24	537 31 42-01	FRAME		1	
25	503 20 03-20	SCREW IHSCFM		1	
26	544 20 98-01	LABEL		1	

**K1** GC 2236  
STARTER

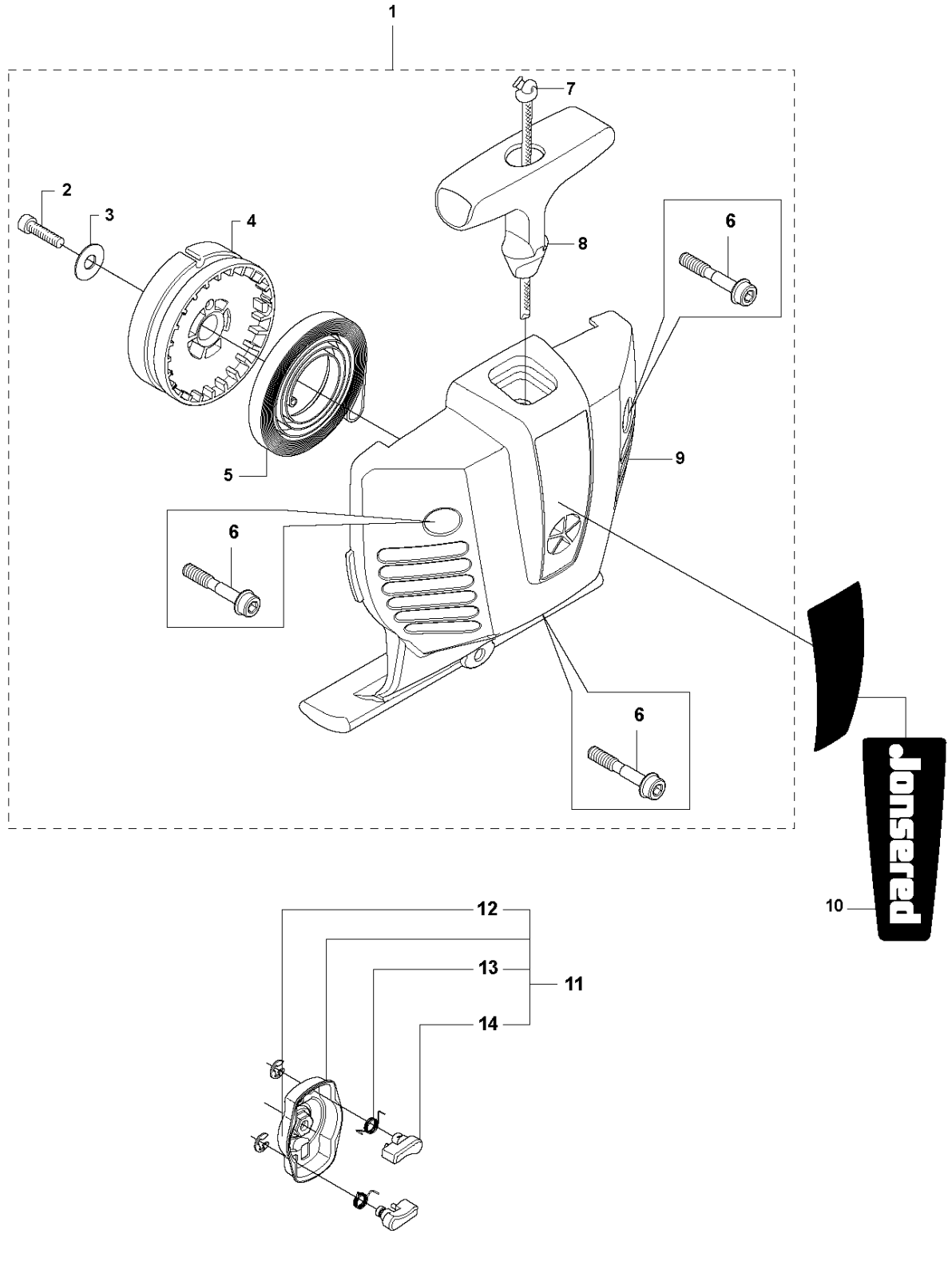


## STARTER

GC2236 from 2014-12

Ref	Part No	Description	Remark	QTY	KIT
1	544 12 84-01	STARTER HOUSING		1	1
2	503 21 79-20	SCREW IH SCT		1	1
3	535 07 23-01	WASHER		1	1
4	537 32 50-03	STARTER PULLEY		1	1
5	503 85 99-01	RECOIL SPRING		1	1
6	537 37 38-02	TUBULAR RIVET		3	1
7	505 30 51-25	STARTER CORD		1	1
8	503 99 77-01	STARTER HANDLE		1	1
9	544 12 64-01	STARTER HOUSING		1	1
10	503 20 03-20	SCREW IH SCFM		3	
11	537 18 28-01	LABEL		1	
12	503 87 33-05	STARTER PAWL		1	
13	735 31 08-20	E-CLIP		2	12
14	503 87 36-01	SPRING		2	12
15	503 87 35-02	STARTER PAWL		2	12

**K2** GC 2236  
STARTER



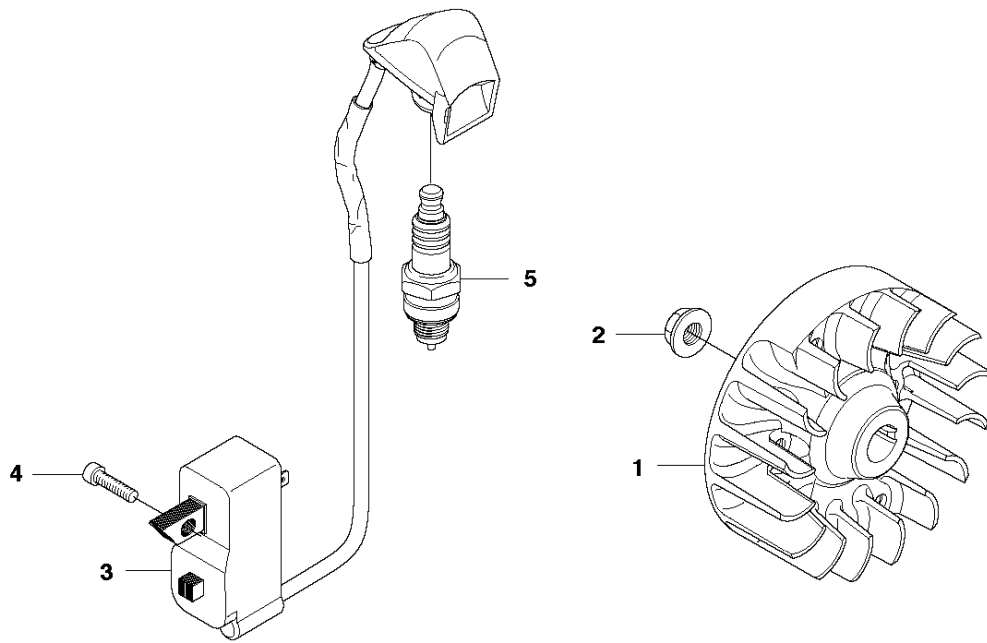


## STARTER

GC2236 from 2014-12

Ref	Part No	Description	Remark	QTY	KIT
1	544 12 84-02	STARTER HOUSING	Captive Screws	1	1
2	503 21 79-20	SCREW IH SCT		1	1
3	535 07 23-01	WASHER		1	1
4	537 32 50-03	STARTER PULLEY		1	1
5	503 85 99-01	RECOIL SPRING		1	1
6	573 99 43-05	SCREW IH SCFMO	Captive Screw	3	
7	505 30 51-25	STARTER CORD		1	1
8	503 99 77-01	STARTER HANDLE		1	1
9	544 12 64-02	STARTER HOUSING	Spare part adapted for captive screws	1	1
10	537 18 28-01	LABEL		1	
11	503 87 33-05	STARTER PAWL		1	
12	735 31 08-20	E-CLIP		2	12
13	503 87 36-01	SPRING		2	12
14	503 87 35-02	STARTER PAWL		2	12

**N** GC 2236  
IGNITION

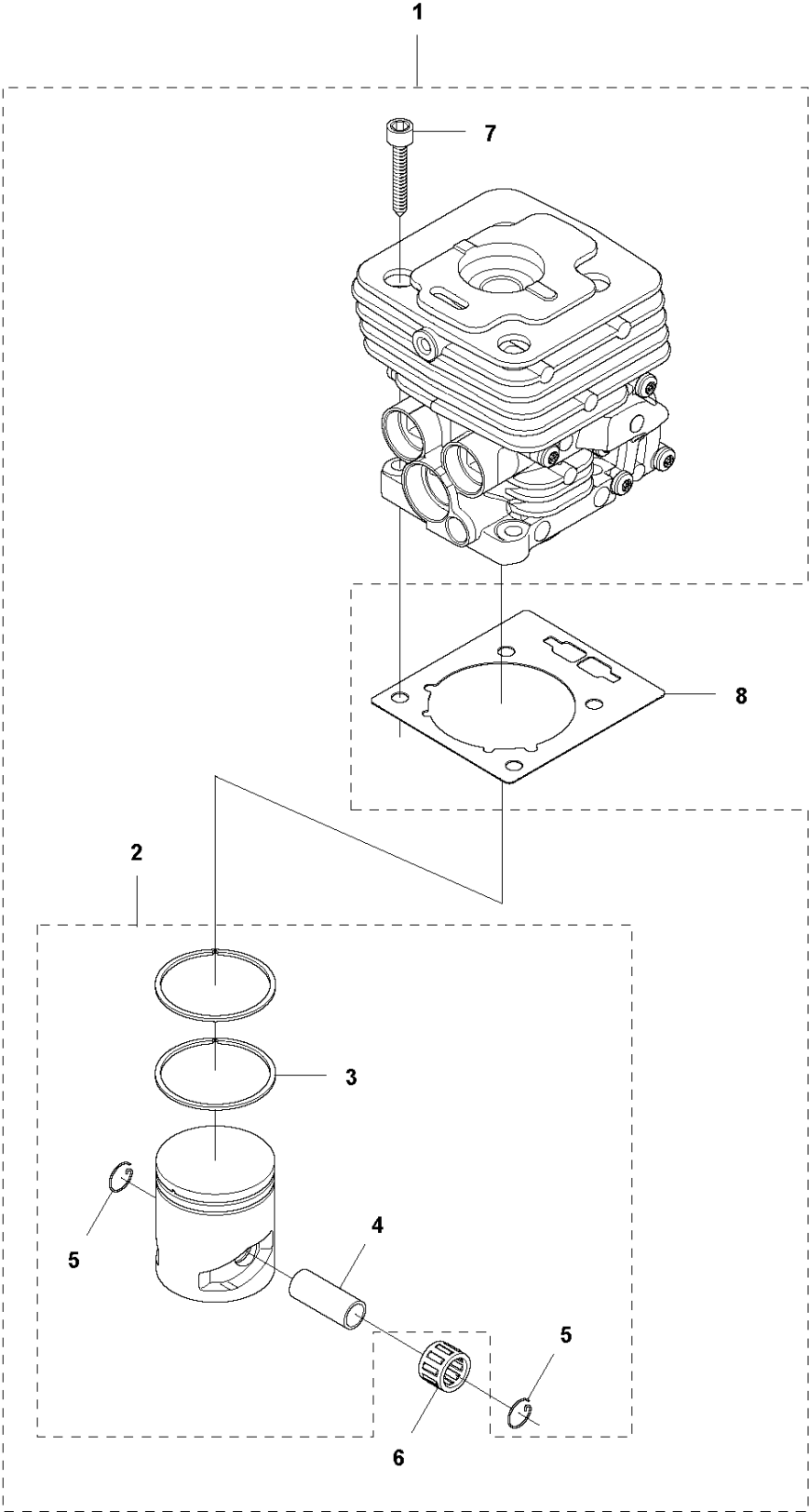


## IGNITION SYSTEM

GC2236 from 2014-12

Ref	Part No	Description	Remark	QTY KIT
1	537 24 96-01	FLYWHEEL		1
2	731 71 16-51	HEXAGON NUT FLANGE		1
3	544 12 70-02	IGNITION MODULE		1
4	503 21 66-18	SCREW IH SCT		2
5	503 23 51-09	SPARK PLUG	CH RCJ6Y Ø = 14 mm	1

**M** GC 2236  
CYLINDER & PISTON

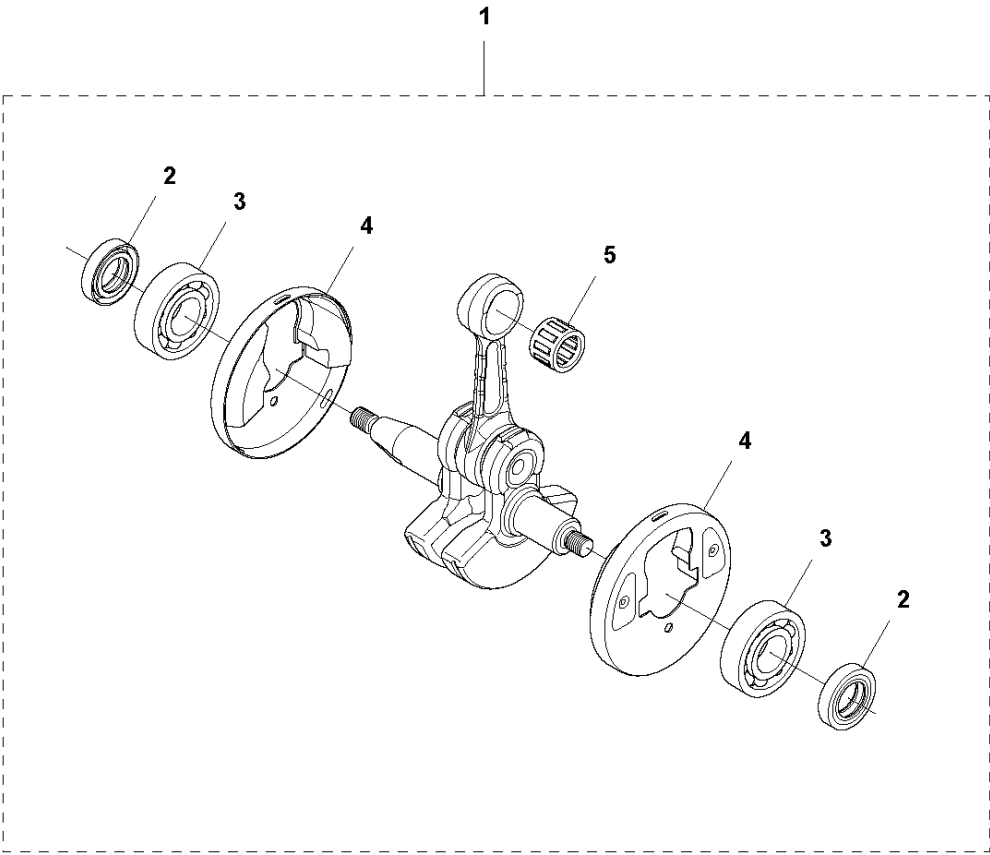


## CYLINDER PISTON

GC2236 from 2014-12

Ref	Part No	Description	Remark	QTY KIT	
1	544 40 06-01	CYLINDER ASSY	Ø = 38 mm	1	
2	585 99 83-02	PISTON ASSY		1	1
3	503 28 90-54	PISTON RING		2	1,2
4	503 28 91-19	PISTON PIN		1	1,2
5	737 44 10-00	SNAP RING		2	1,2
6	503 41 41-01	NEEDLE BEARING		1	1
7	725 53 33-55	SCREW IHSCM		4	1
8	537 33 30-02	GASKET		1	

**N** GC 2236  
CRANK SHAFT

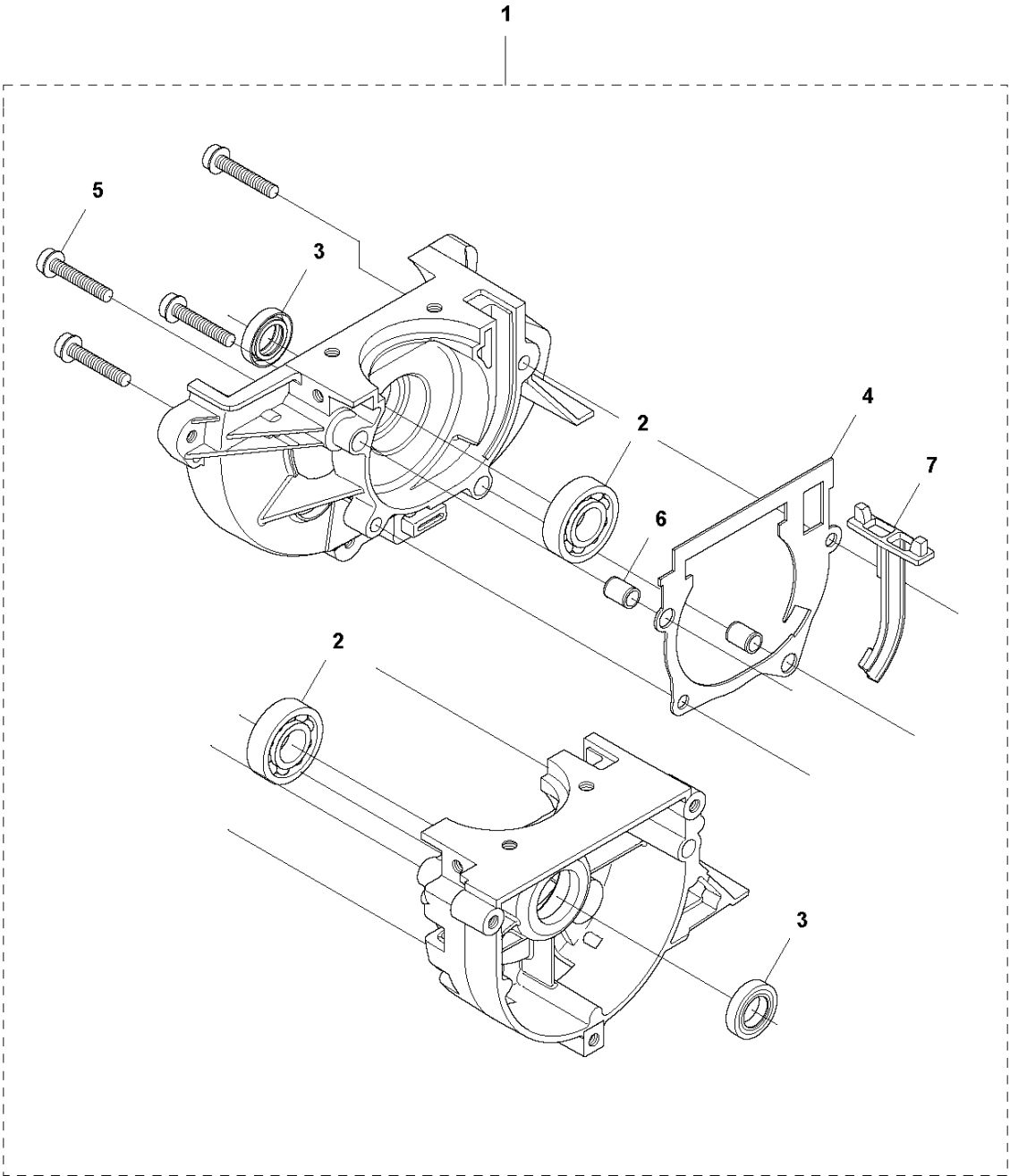


CRANKSHAFT

GC2236 from 2014-12

Ref	Part No	Description	Remark	QTY	KIT
1	544 03 90-01	CRANKSHAFT ASSY		1	
2	503 26 02-02	SEALING RING		2	1
3	738 21 01-10	BALL BEARING		2	1
4	537 29 76-01	CUP		2	1
5	503 41 41-01	NEEDLE BEARING		1	1

**P** GC 2236  
CRANKCASE





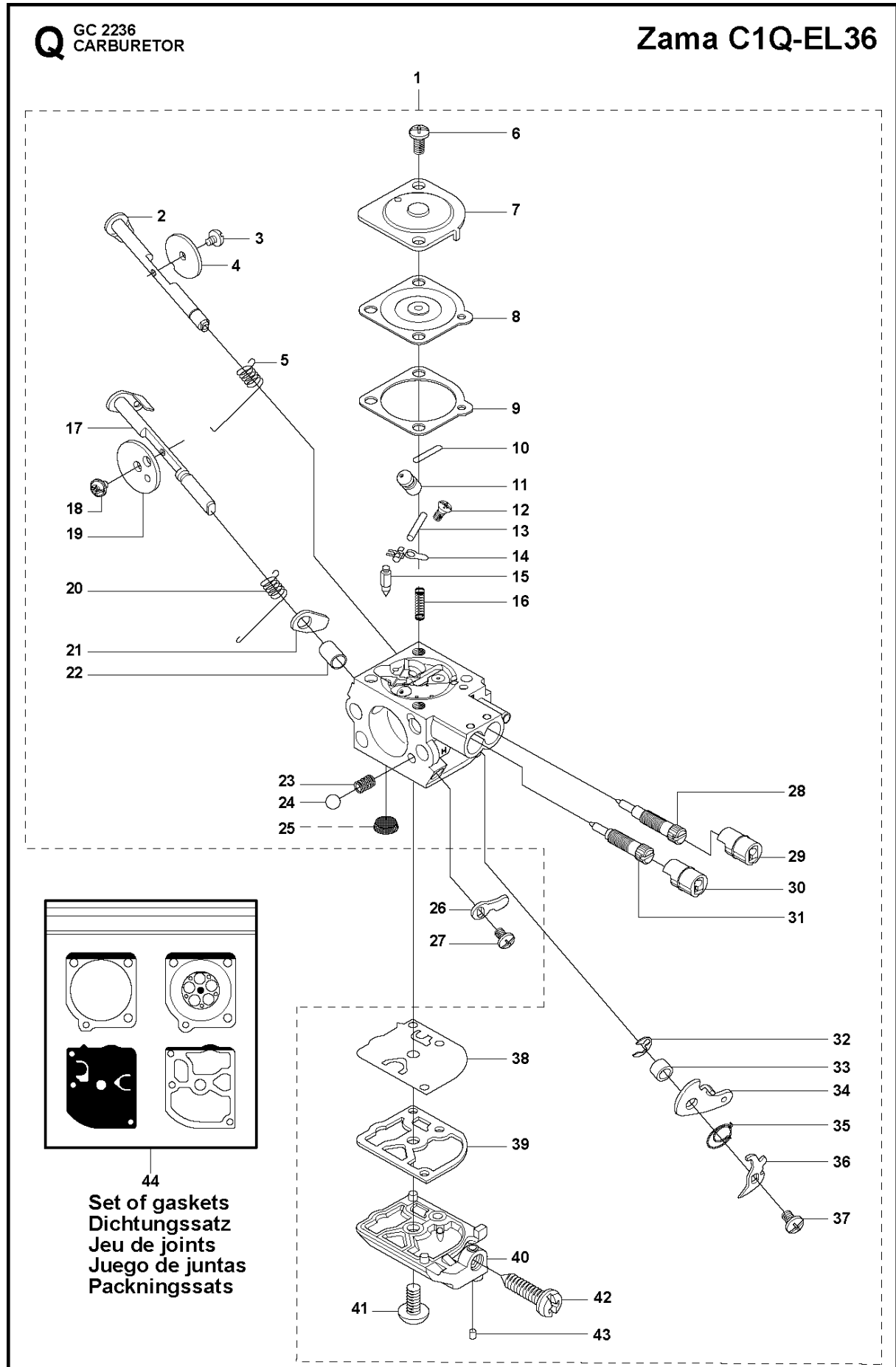
CRANKCASE

GC2236 from 2014-12

Ref	Part No	Description	Remark	QTY	KIT
1	544 03 89-01	CRANKCASE ASSY		1	
2	738 21 01-10	BALL BEARING		2	1
3	503 26 02-02	SEALING RING		2	1
4	593 77 76-01	GASKET		1	1
5	503 20 02-30	SCREW IHSCFM		4	1
6	501 27 08-01	GUIDE BUSHING		2	1
7	537 32 42-01	INSERT		1	1

**Q** GC 2236  
CARBURETOR

**Zama C1Q-EL36**

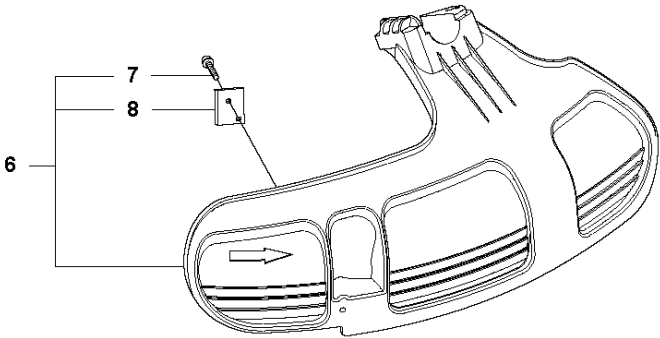
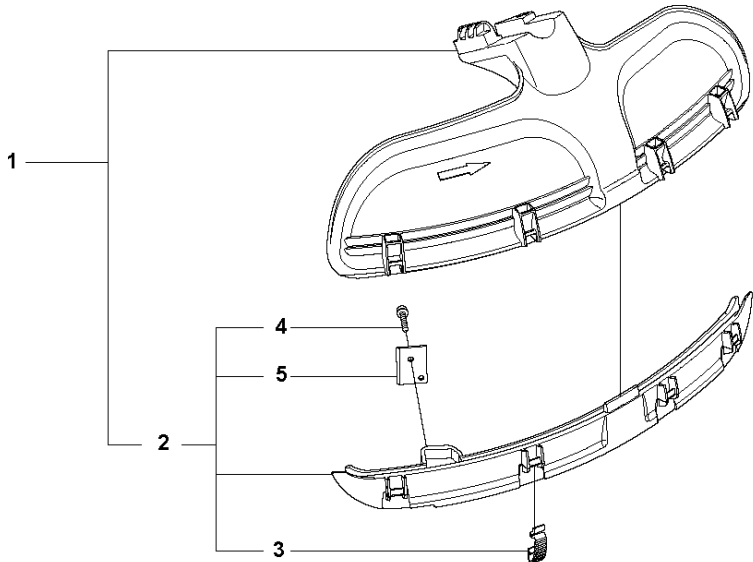


## CARBURETOR

GC2236 from 2014-12

Ref	Part No	Description	Remark	QTY	KIT
1	544 32 56-01	CARBURETTOR	ZAMA C1Q-EL36	1	
2	537 38 74-01	SHAFT ASSY		1	1
3	503 47 92-01	SCREW		1	1
4	537 41 72-01	VALVE		1	1
5	544 37 24-01	SPRING		1	1
6	503 48 05-01	SCREW		2	1
7	503 97 43-01	COVER		1	1
8	537 04 89-01	DIAPHRAGM		1	1, 44
9	537 02 04-01	GASKET		1	1, 44
10	503 53 56-01	PLUG WELCH		1	1
11	537 38 73-01	NOZZLE ASSY		1	1
12	503 48 01-01	SCREW		1	1
13	503 48 00-01	PIN RETAINING SCREW		1	1
14	503 66 59-01	LEVER		1	1
15	503 47 97-01	VALVE		1	1
16	537 02 03-01	SPRING		1	1
17	544 37 22-01	SHAFT ASSY		1	1
18	503 48 18-01	SCREW		1	1
19	537 02 11-01	VALVE		1	1
20	544 37 26-01	SPRING		1	1
21	544 37 25-01	LEVER		1	1
22	544 42 70-01	COLLAR		1	1
23	537 01 26-01	SPRING		1	1
24	537 01 25-01	BALL		1	1
25	503 48 13-01	STRAINER		1	1
26	544 37 23-01	LEVER		1	1
27	503 47 90-01	SCREW		1	1
28	537 41 69-01	SCREW	L	1	1
29	537 41 70-01	LIMITER CAP		1	1
30	537 41 70-01	LIMITER CAP		1	1
31	537 38 75-01	SCREW	H	1	1
32	537 38 52-01	CLIP		1	1
33	537 41 77-01	COLLAR		1	1
34	537 41 73-01	LEVER		1	1
35	537 41 78-01	SPRING THROTT.RETURN		1	1
36	537 41 74-01	LEVER		1	1
37	503 47 90-01	SCREW		1	1
38	537 02 00-01	DIAPHRAGM PUMP		1	1, 44
39	537 02 01-01	GASKET		1	1, 44
40	537 41 68-01	COVER		1	1
41	503 47 96-01	SCREW		1	1
42	537 02 07-01	SCREW		1	1
43	503 48 11-01	PIECE		1	1
44	531 00 45-52	GASKET KIT		1	

**R1** GC 2236  
ACCESSORIES

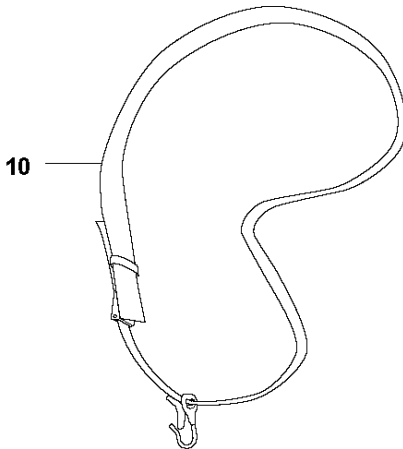
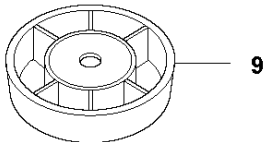
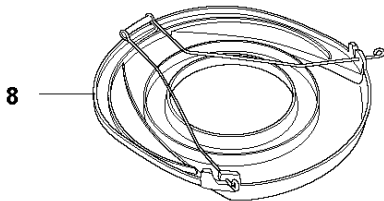
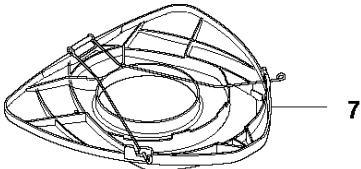
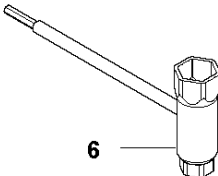
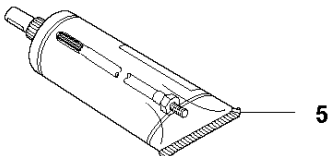
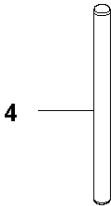
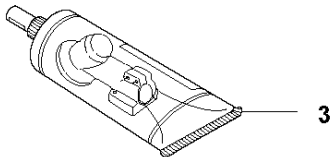
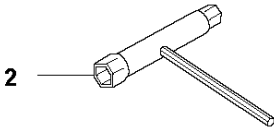
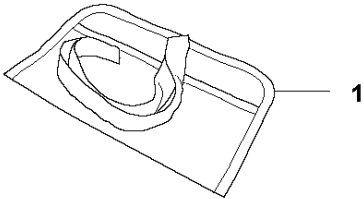


## ACCESSORIES

GC2236 from 2014-12

Ref	Part No	Description	Remark	QTY	KIT
1	537 33 16-01	COMBI GUARD		1	
2	537 39 63-04	SPLASH GUARD		1	1
3	537 38 72-01	SNAP LOCKING		4	1, 2
4	503 21 68-25	SCREW IHSCFT		1	1, 2
5	503 79 88-01	BLADE		1	1, 2
6	537 34 94-04	TRIMMER GUARD		1	
7	503 21 68-25	SCREW IHSCFT		1	7
8	503 79 88-01	BLADE		1	7

**R2** GC 2236  
ACCESSORIES

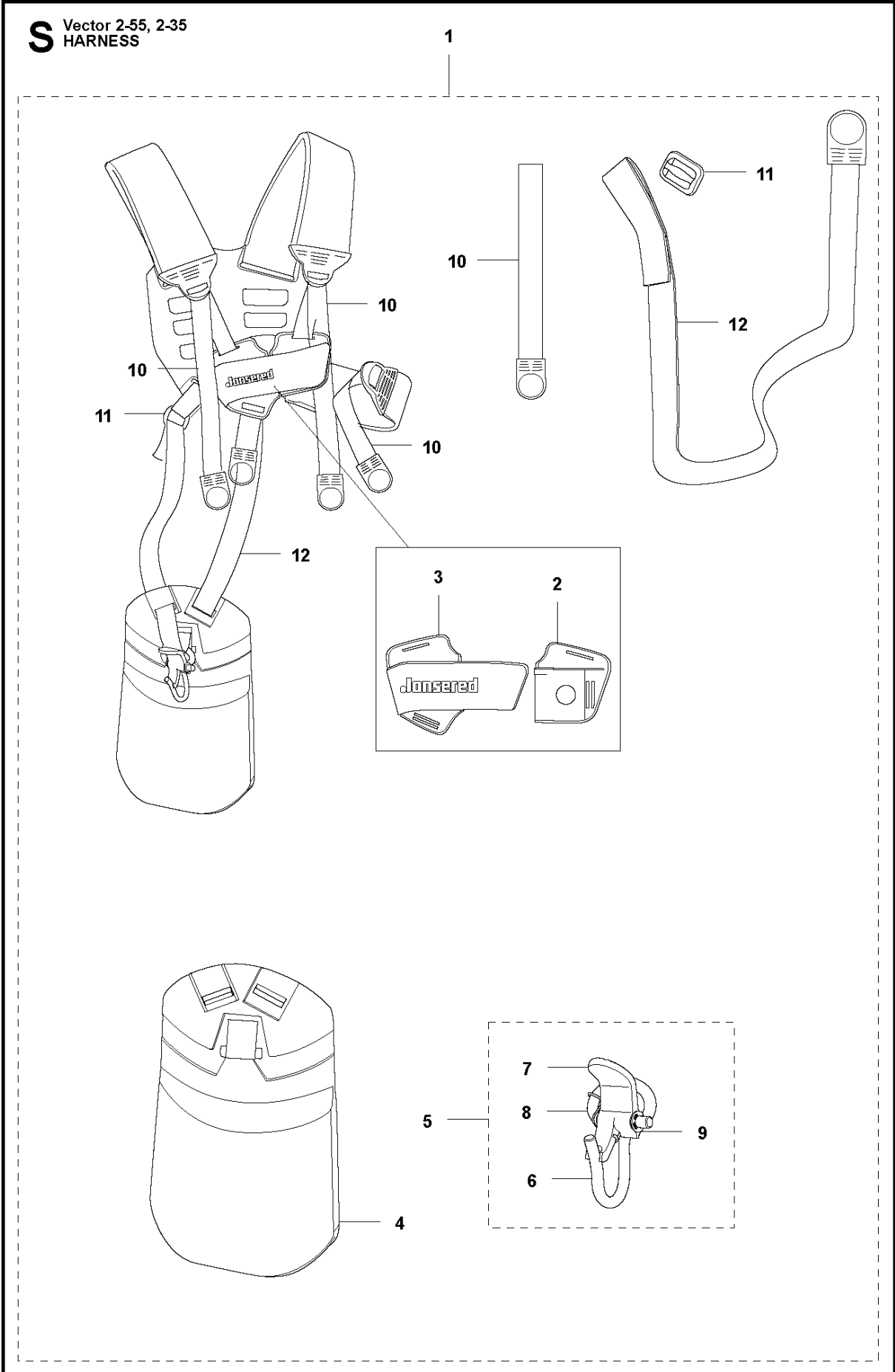


## ACCESSORIES

GC2236 from 2014-12

Ref	Part No	Description	Remark	QTY KIT
1	501 19 22-01	TOOL		1
2	501 68 89-01	COMBINATION WRENCH		1
3	503 97 65-01	GREASE		1
4	502 28 59-01	STOP	Ø = 300-350 mm	1
5	503 80 17-01	GREASE		1
6	537 36 21-01	COMBINATION WRENCH		1
7	544 35 91-01	TRANSPORT GUARD		1
8	537 31 29-01	TRANSPORT GUARD		1
9	503 89 01-02	SUPPORT CUP	Ø = 200-275 mm	1
10	537 21 62-01	HARNESS		1
10	537 21 62-02	HARNESS	USA	1

**S** Vector 2-55, 2-35  
HARNESS

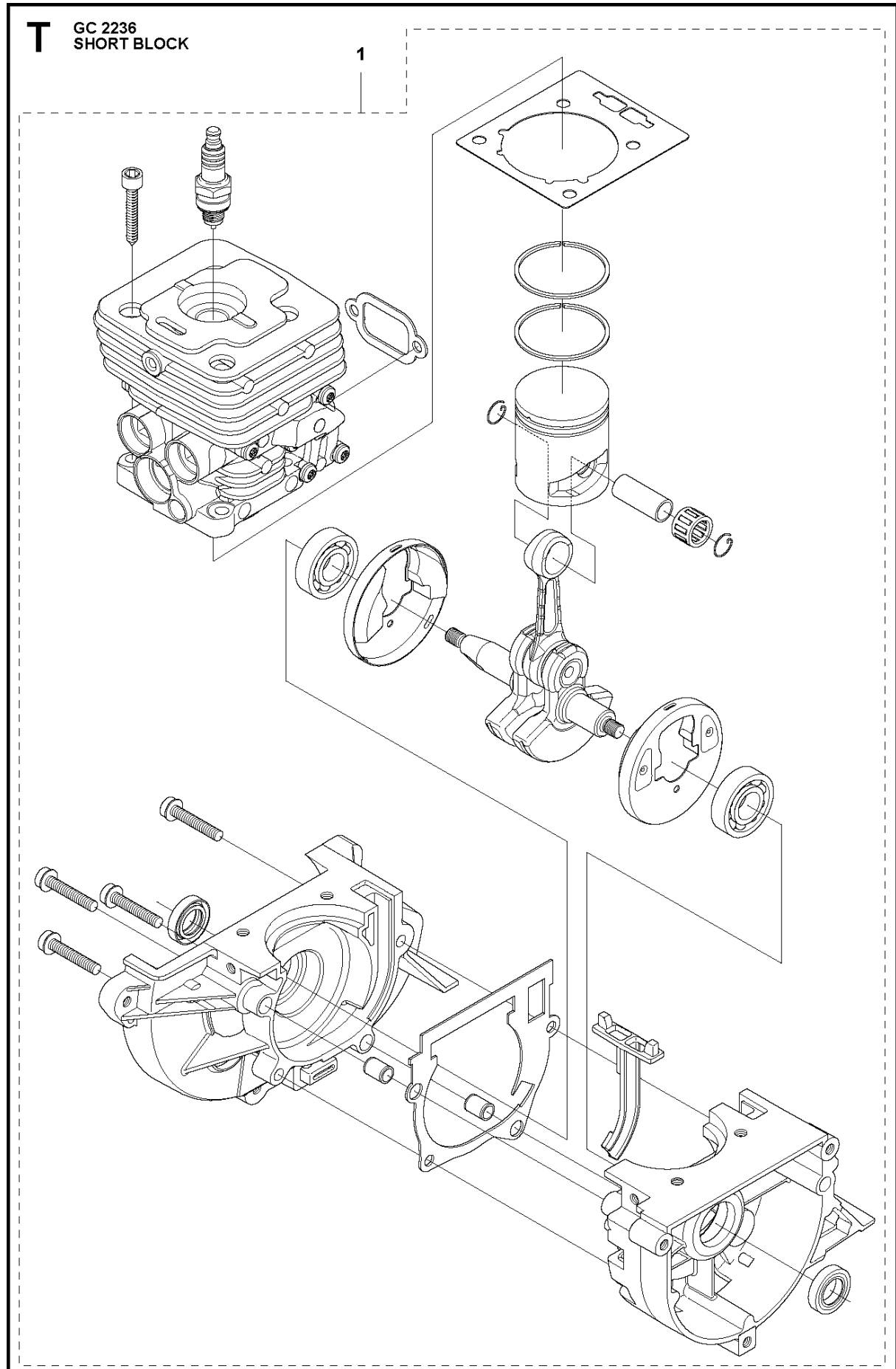




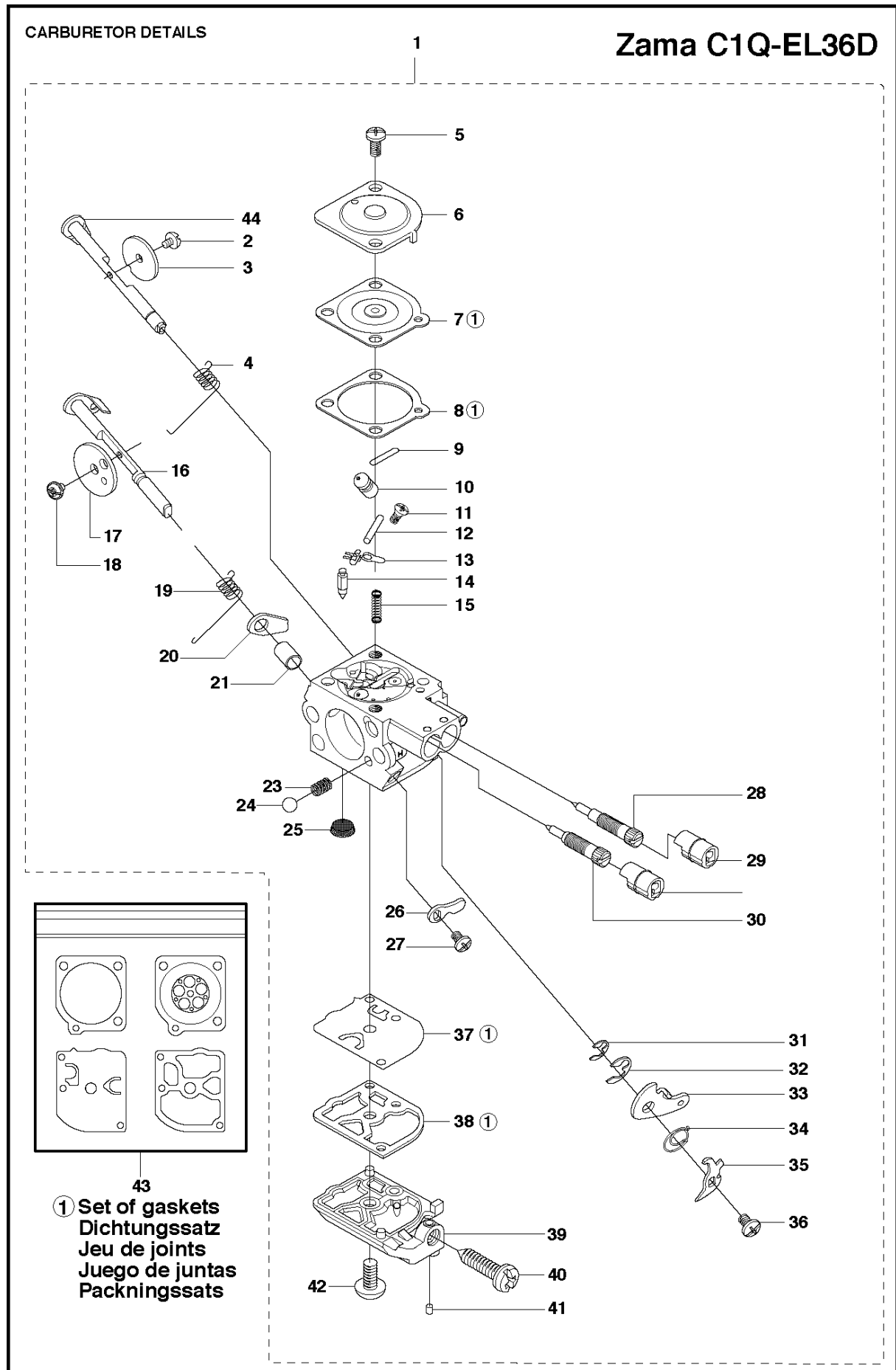
## HARNES

GC2236 from 2014-12

Ref	Part No	Description	Remark	QTY KIT	
1	537 27 58-01	HARNES		1	
1	537 27 58-03	HARNES	US	1	
2	537 27 69-01	FRONT PIECE		1	1
3	537 27 70-01	FRONT PIECE		1	1
4	537 27 59-02	HIP PAD		1	1
5	502 02 28-01	HOOK		1	1
6	502 02 29-02	HOOK		1	1,5
7	502 02 30-02	LOCK		1	1,5
8	586 34 10-01	SPRING		1	1,5
9	735 31 09-20	E-CLIP		1	1,5
10	503 99 61-01	BAND		3	1
11	537 11 35-01	RETAINER		1	1
12	503 99 61-03	BAND		1	1



Ref	Part No	Description	Remark	QTY KIT
1	576 79 68-01	SHORT BLOCK	Assembled	1



## CARBURETOR

GC2236 from 2014-12

Ref	Part No	Description	Remark	QTY	KIT
1	581 16 75-01	CARBURETTOR		1	
2	503 47 92-01	SCREW		1	1
3	537 41 72-01	VALVE		1	1
4	544 37 24-01	SPRING		1	1
5	503 48 05-01	SCREW		2	1
6	503 97 43-01	COVER		1	1
7	537 04 89-01	DIAPHRAGM		1	1, 43
8	537 02 04-01	GASKET		1	1, 43
9	503 53 56-01	PLUG WELCH		1	1
10	581 89 95-01	MAIN NOZZLE		1	1
11	503 48 01-01	SCREW		1	1
12	503 48 00-01	PIN RETAINING SCREW		1	1
13	503 66 59-01	LEVER		1	1
14	503 47 97-01	VALVE		1	1
15	503 47 81-01	SPRING		1	1
16	544 37 22-01	SHAFT ASSY		1	1
17	537 37 03-01	VALVE		1	1
18	503 48 18-01	SCREW		1	1
19	544 37 26-01	SPRING		1	1
20	544 37 25-01	LEVER		1	1
21	544 42 70-01	COLLAR		1	1
23	537 01 26-01	SPRING		1	1
24	537 01 25-01	BALL		1	1
25	503 48 13-01	STRAINER		1	1
26	544 37 23-01	LEVER		1	1
27	503 47 90-01	SCREW		1	1
28	537 41 69-01	SCREW		1	1
29	537 41 70-01	LIMITER CAP		2	1
30	581 89 93-01	SCREW		1	1
31	537 38 52-01	CLIP		1	1
32	537 38 50-01	CLIP		1	1
33	537 41 73-01	LEVER		1	1
34	576 74 66-01	SPRING		1	1
35	537 41 74-01	LEVER		1	1
36	502 07 84-01	SCREW		1	1
37	537 02 00-01	DIAPHRAGM PUMP		1	1, 43
38	537 02 01-01	GASKET		1	1, 43
39	537 41 68-01	COVER		1	1
40	537 02 07-01	SCREW		1	1
41	503 48 11-01	PIECE		1	1
42	503 47 96-01	SCREW		1	1
43	531 00 45-52	GASKET KIT		1	
44	544 37 21-01	SHAFT ASSY		1	1

# Illustrated Parts List - IPL Update



Product Name(s)

**GC2236**

Description of change

New variant of ignition module with new spark plug cap.

Comments

Fully interchangeable.

Introduced from

Serial number / Date	Remark
2018-01	Ignition module

IPL updates

Page title	Ref. no	New part no	Name	Excl. part no.	Remark
Ignition system	3	544 12 70-02	Ignition module	544 12 70-01	



Previous spark plug cap



New spark plug cap