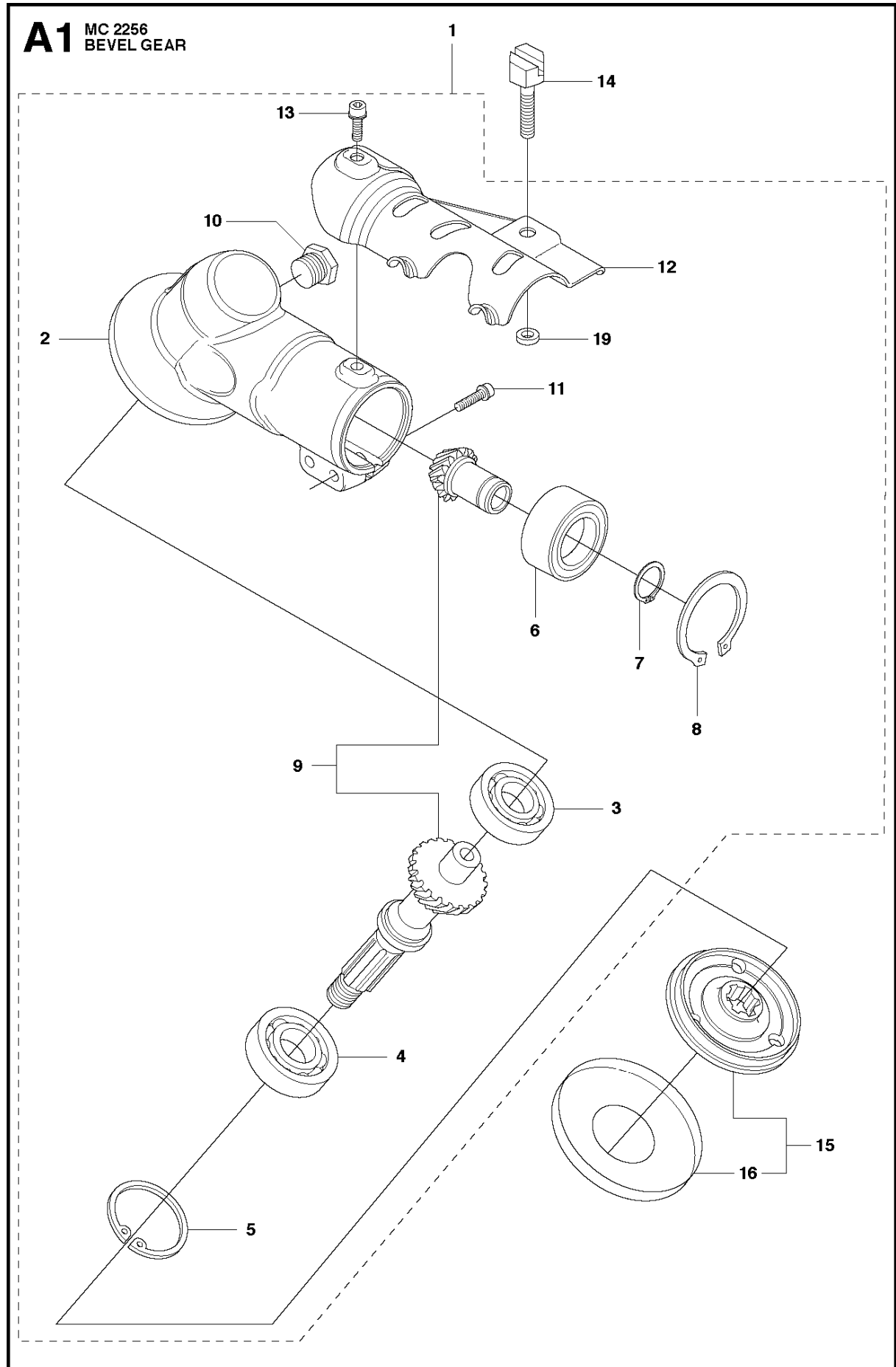




# SPARE PARTS LIST

BRUSHCUTTERS/CLEARING SAWS

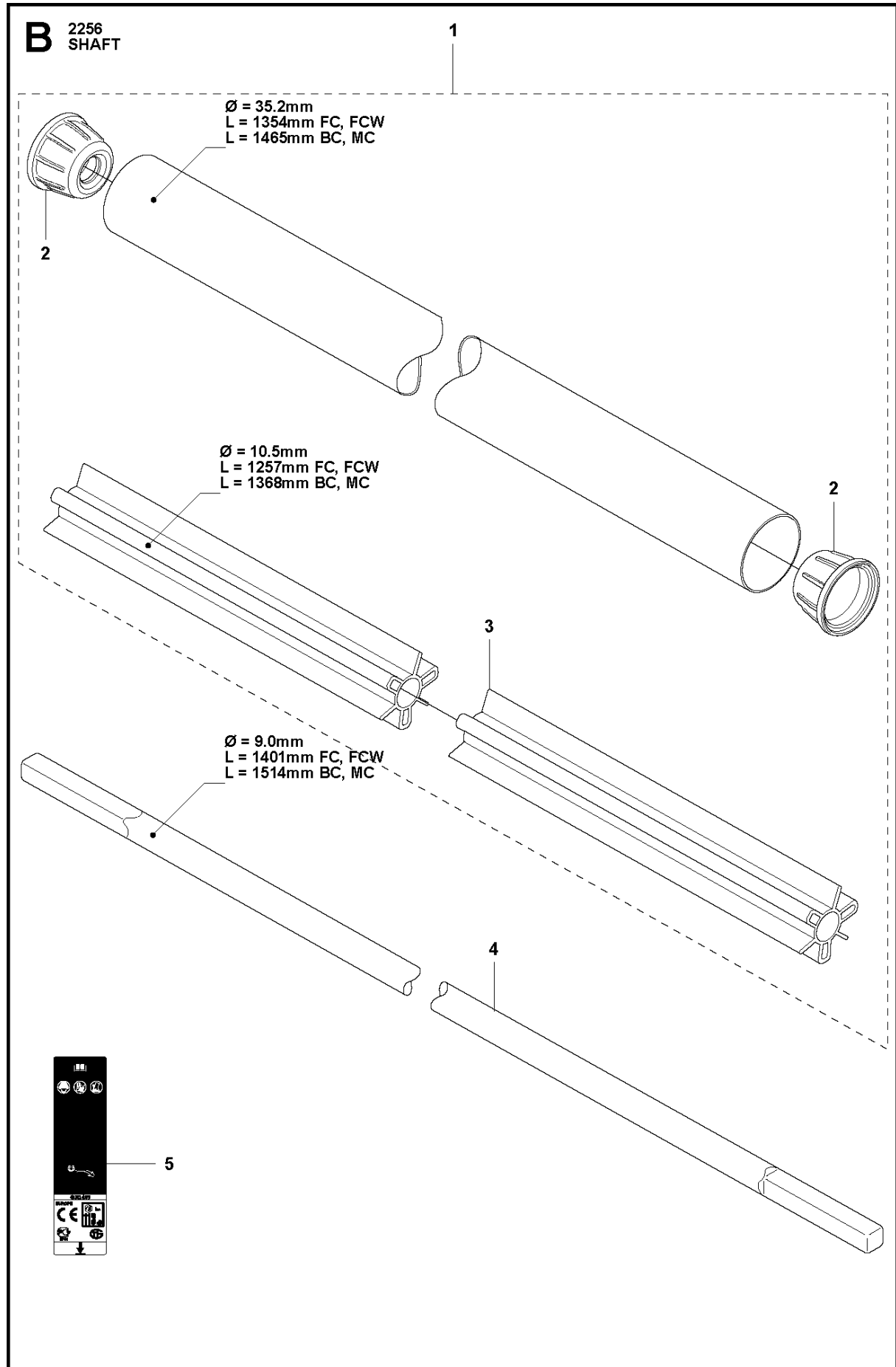
MC2256



## BEVEL GEAR

MC2256

Ref	Part No	Description	Remark	QTY	KIT
1	537 42 84-07	BEVEL GEAR	Incl. Pos. 2-13	1	
2	537 42 85-01	GEAR HOUSING		1	1
3	738 21 01-10	BALL BEARING		1	1
4	503 25 25-01	BALL BEARING		1	1
5	735 31 33-10	CIRCLIP		1	1
6	503 25 18-01	BEARING		1	1
7	735 31 17-00	CIRCLIP		1	1
8	735 31 31-10	CIRCLIP		1	1
9	502 43 46-01	GEAR WHEEL KIT	Kit	1	1
10	503 20 15-01	SCREW		1	1
11	725 53 72-65	SCREW IHSCM		2	1
12	501 36 59-01	ATTACHMENT PLATE		1	1
13	503 20 07-76	SCREW IHSCFM		1	1
14	537 18 95-01	SCREW		1	
15	537 35 14-02	DRIVER	Incl. Pos. 16	1	
16	537 24 03-01	GRASS SEALING		1	15
19	574 40 44-01	LOCK NUT		1	

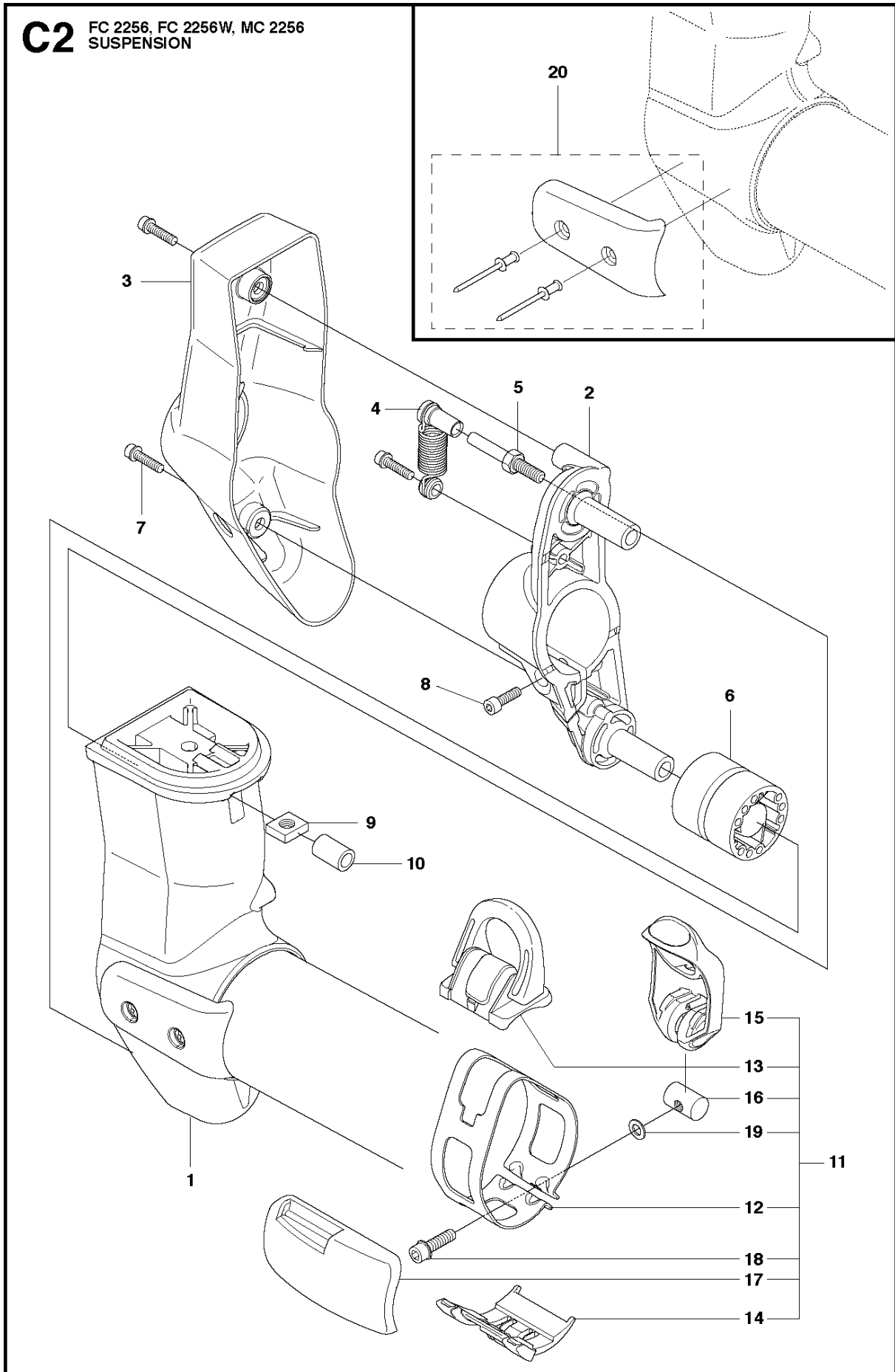


SHAFT

MC2256

Ref	Part No	Description	Remark	QTY KIT	
1	510 02 78-08	TUBE DRIVESHAFT ASSY	Incl. Pos. 2-3	1	
2	544 32 05-01	SPACER		2	1
3	505 13 13-02	BEARING SHAFT	L=1368mm, Ø=10.5mm	1	1
4	544 15 67-02	DRIVE SHAFT	L=1514mm, Ø=9.0mm	1	
5	589 29 51-01	LABEL		1	

**C2** FC 2256, FC 2256W, MC 2256  
SUSPENSION

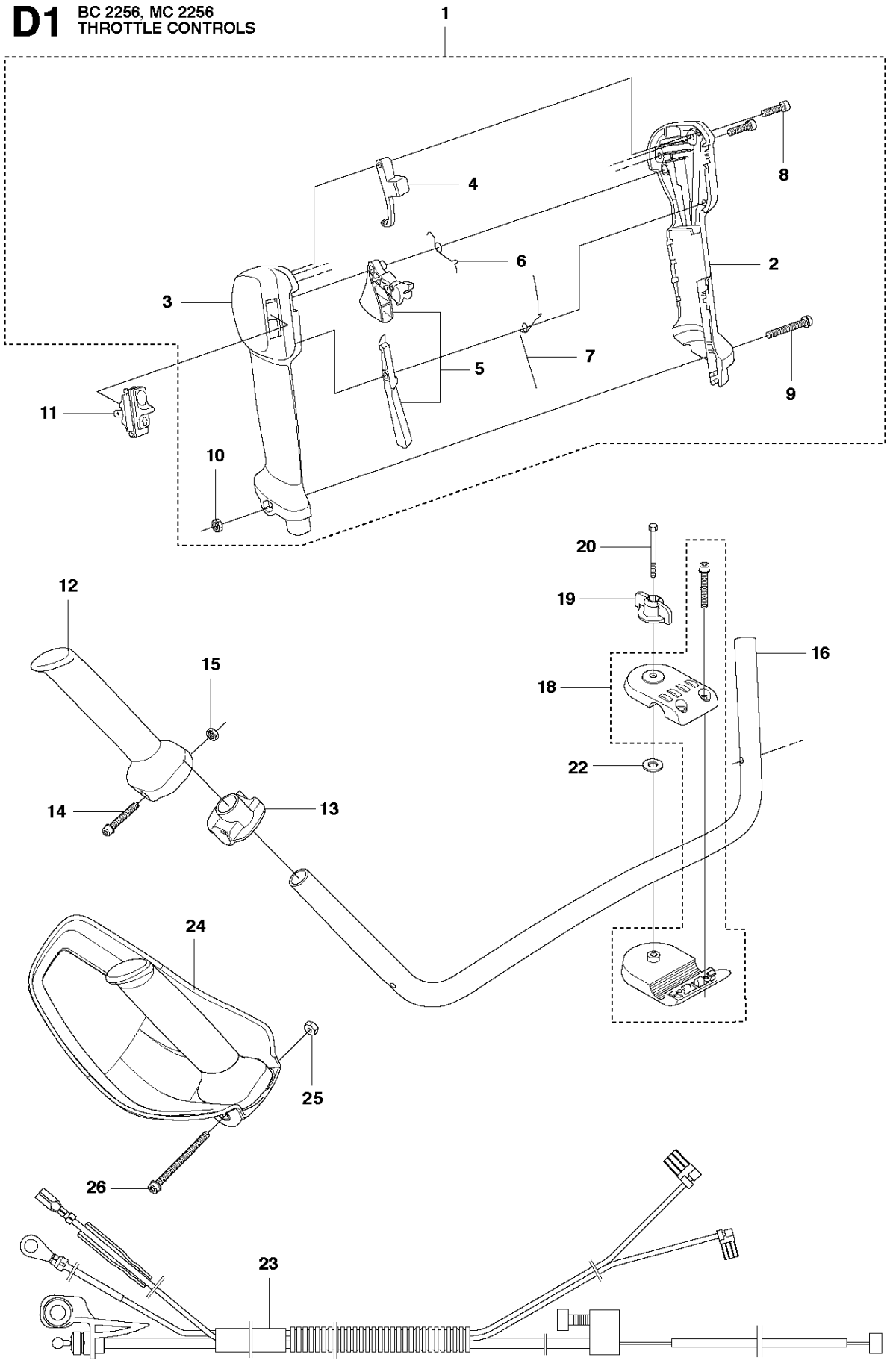


## SUSPENSION

MC2256

Ref	Part No	Description	Remark	QTY	KIT
1	581 97 88-02	SUSPENSION	FC, FCW	1	
1	581 97 88-04	SUSPENSION	MC	1	
2	544 37 83-01	RETAINER		1	
3	544 37 85-02	COVER		1	
4	506 06 88-01	SPRING		1	
5	544 36 77-01	PARALLEL PIN		1	
6	544 23 09-01	ANTIVIBRATION ELEMENT		2	
7	503 20 07-74	SCREW IHSCFM		3	
8	725 53 72-65	SCREW IHSCM		1	
9	502 19 71-01	SQUARE NUT		1	
10	503 85 73-02	COVER		1	
11	504 02 38-02	LOOP	Incl. Pos. 12-19	1	
12	537 39 57-01	BAND		1	11
13	537 20 18-04	LOOP		1	11
14	537 42 74-02	GUIDE RAIL		1	11
15	537 42 70-02	LEVER		1	11
16	537 42 73-01	NUT		1	11
17	544 25 07-02	WEAR PROTECTION		1	11
18	503 20 07-25	SCREW IHSCFM		1	11
19	503 23 00-11	WASHER		1	11
20	586 20 27-04	WEAR PROTECTION		1	

**D1** BC 2256, MC 2256  
THROTTLE CONTROLS



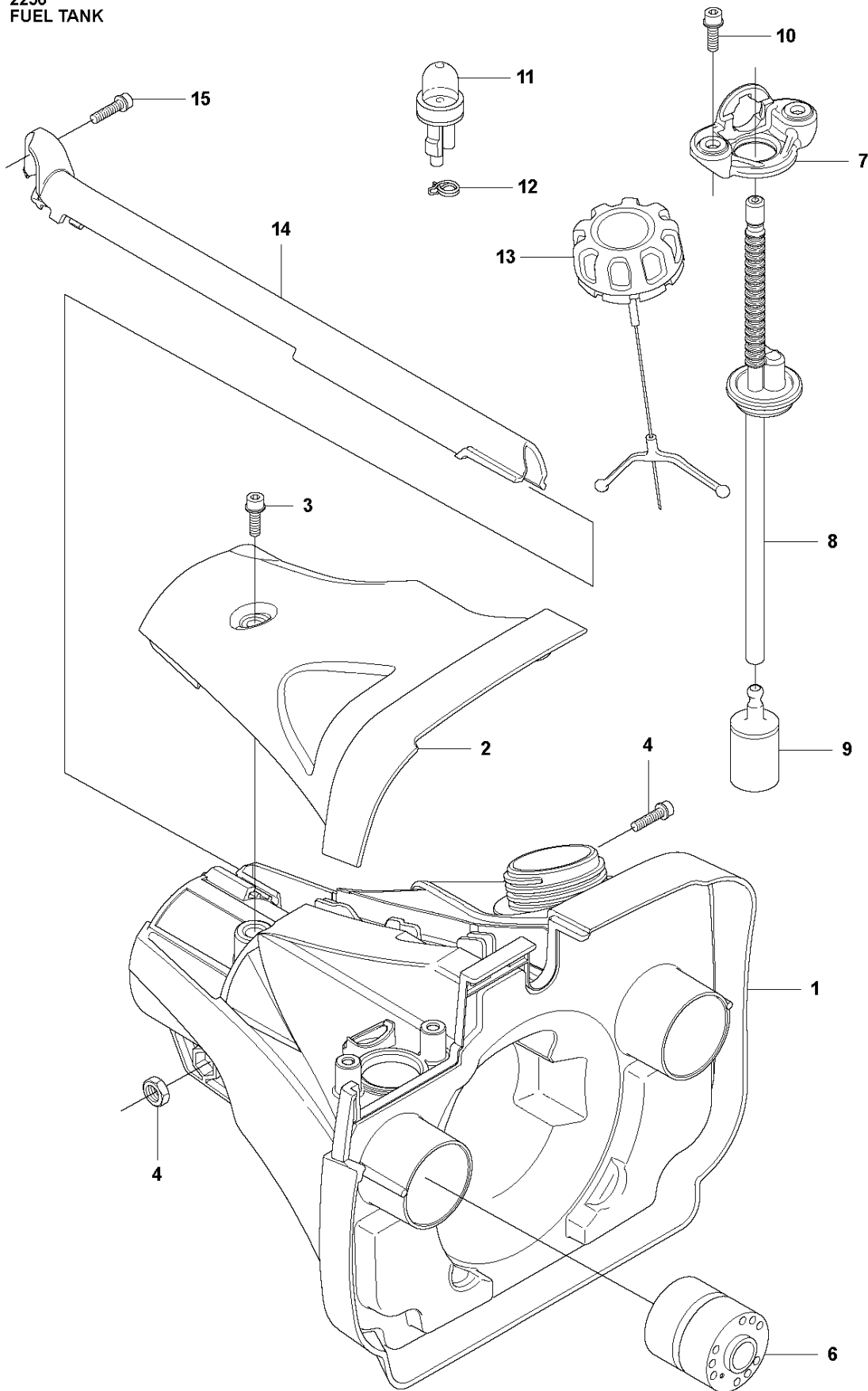


## THROTTLE CONTROLS

MC2256

Ref	Part No	Description	Remark	QTY	KIT
1	504 20 98-05	THROTTLE HANDLE ASSY	Incl. Pos. 2-10	1	
2	537 18 08-12	HANDLE HALF		1	1
3	537 18 07-12	HANDLE HALF		1	1
4	537 16 07-02	STARTER THROTTLE LOC		1	1
5	506 49 77-02	THROTTLE CONTROL	Kit	1	1
6	537 17 42-01	SPRING THROTTLE TRIG		1	1
7	537 17 43-01	SPRING		1	1
8	503 21 66-18	SCREW IHSC T		2	1
9	503 20 07-35	SCREW IHSCFM		1	1
10	503 22 10-13	HEXAGON NUT		1	1
11	537 41 90-01	SWITCH		1	
12	537 17 28-09	HANDLE		1	
13	537 17 29-02	BRACKET		1	
14	503 20 02-45	SCREW IHSCFM		1	
15	731 23 14-05	HEXAGON NUT		1	
16	503 95 86-03	HANDLEBAR		1	
18	595 30 36-02	HANDLEBAR BRACKET	s/n from 20173300001 up to 20181100180	1	
18	596 28 33-02	HANDLEBAR BRACKET		1	
19	502 21 93-01	TURNING KNOB		1	
20	725 23 83-81	SCREW EHHM		1	
22	502 28 21-01	WASHER		1	
23	544 20 31-01	WIRING		1	
23	544 20 31-02	WIRING	FC	1	
24	577 36 79-01	HAND GUARD ASSY	MC	1	
25	503 22 10-13	HEXAGON NUT		1	
26	503 20 29-70	SCREW IHSCFM		1	

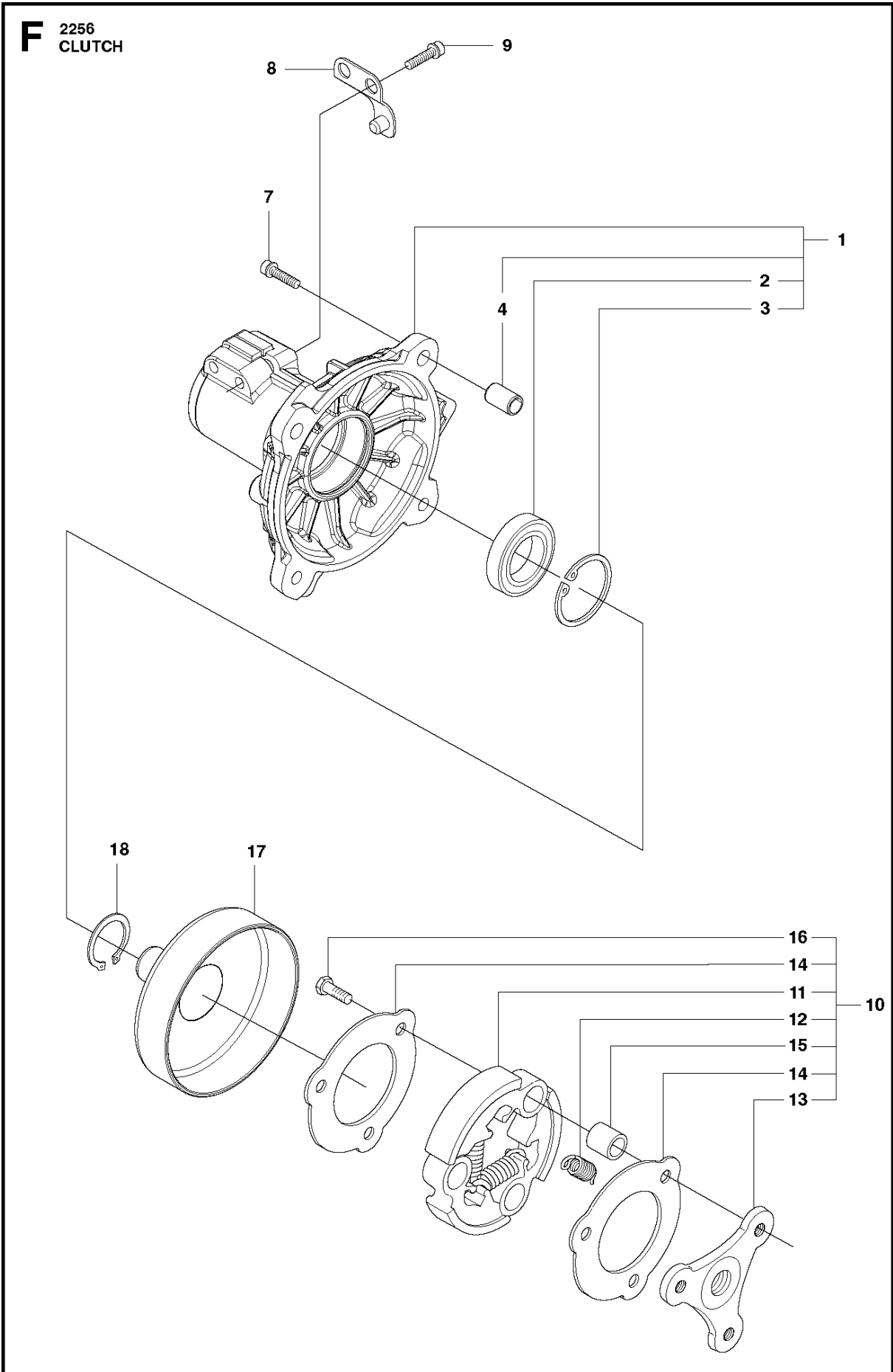
**E** 2256  
FUEL TANK



## FUEL TANK

MC2256

Ref	Part No	Description	Remark	QTY KIT
1	537 35 88-02	FUEL TANK		1
2	537 35 86-02	COVER		1
3	503 20 07-72	SCREW IHSCFM		1
4	503 20 07-76	SCREW IHSCFM		1
5	503 22 10-12	HEXAGON NUT		1
6	544 23 09-01	ANTIVIBRATION ELEMENT		2
7	544 21 53-01	BRACKET		1
8	544 21 54-01	FUEL HOSE		1
9	503 44 32-01	FUEL FILTER		1
10	503 20 07-76	SCREW IHSCFM		2
11	503 93 66-01	PURGE		1
12	544 34 86-01	HOSE CLAMP		1
13	504 11 32-03	TANK CAP		1
14	544 10 95-03	WIRING PROTECTION	BC	1
14	544 10 95-04	WIRING PROTECTION	FC, FCW, MC	1
15	503 20 07-74	SCREW IHSCFM		1

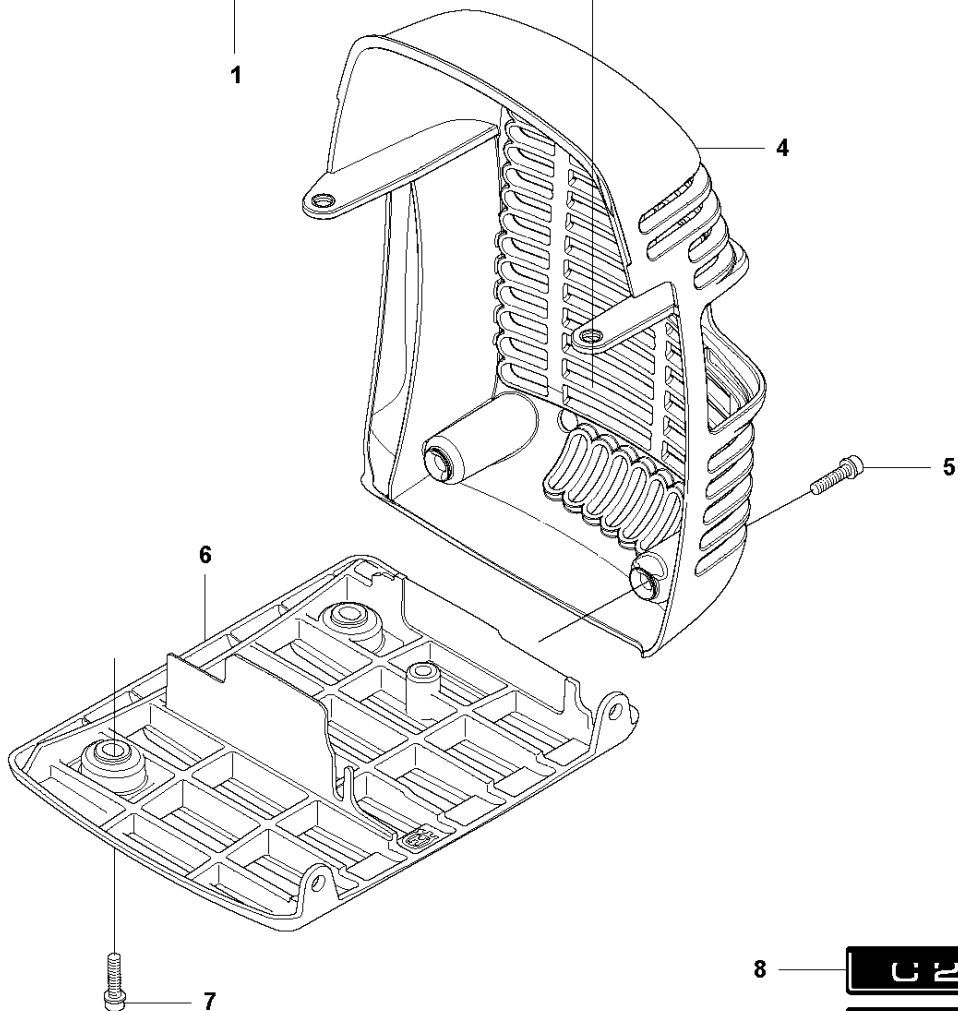
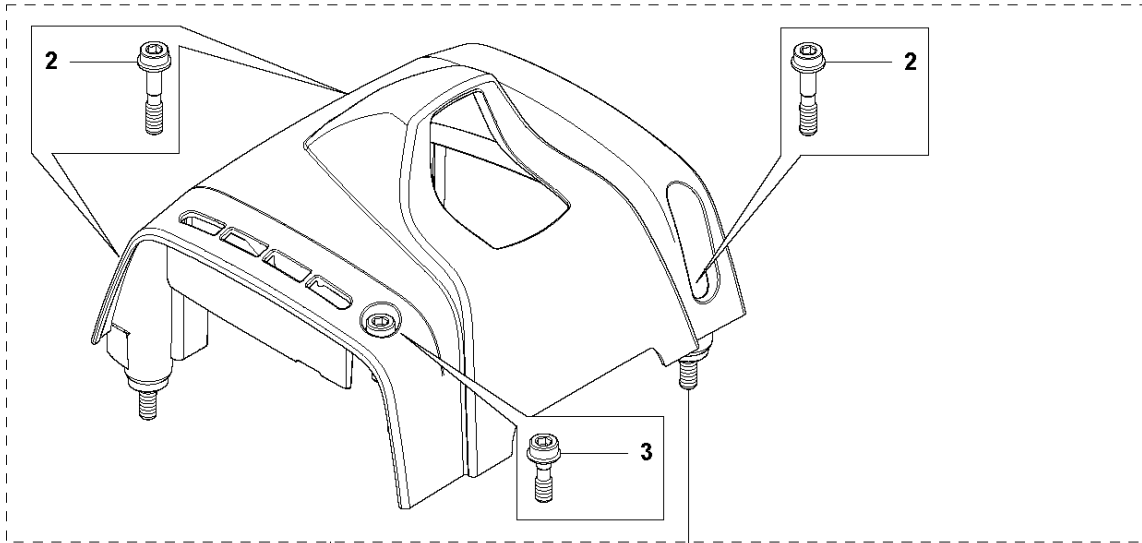


## CLUTCH

MC2256

Ref	Part No	Description	Remark	QTY KIT	
1	597 51 92-01	CLUTCH COVER ASSY	from s/n 20191600181- Incl. pos. 2-4	1	
1	597 51 92-02	CLUTCH COVER ASSY	up to s/n - 20191600180. Incl. pos. 2-4	1	
2	738 22 02-19	BALL BEARING		1	1
3	735 31 33-10	CIRCLIP		1	1
4	593 80 60-01	GUIDE BUSHING	from s/n 20191600181	2	1
4	597 37 11-01	SLEEVE	up to s/n - 20191600180	2	1
7	503 20 07-78	SCREW IHSCFM		4	
8	544 29 48-01	LOCKING PLATE		1	
9	725 53 72-65	SCREW IHSCM		2	
10	579 16 40-02	CLUTCH ASSY	Incl. Pos. 11-16	1	
11	537 40 37-01	CLUTCH SHOE	1 clutch shoe only	1	10
12	578 76 94-01	CLUTCH SPRING	Ø 1.8 mm	1	10
13	537 40 36-01	CLUTCH HUB		1	10
14	544 89 28-01	WASHER		2	10
15	537 13 54-01	BEARING BUSH		3	10
16	503 20 18-02	SCREW EHHM		3	10
17	586 55 33-02	CLUTCH DRUM ASSY		1	
18	735 31 17-00	CIRCLIP		1	

**G** 2256  
CYLINDER COVER



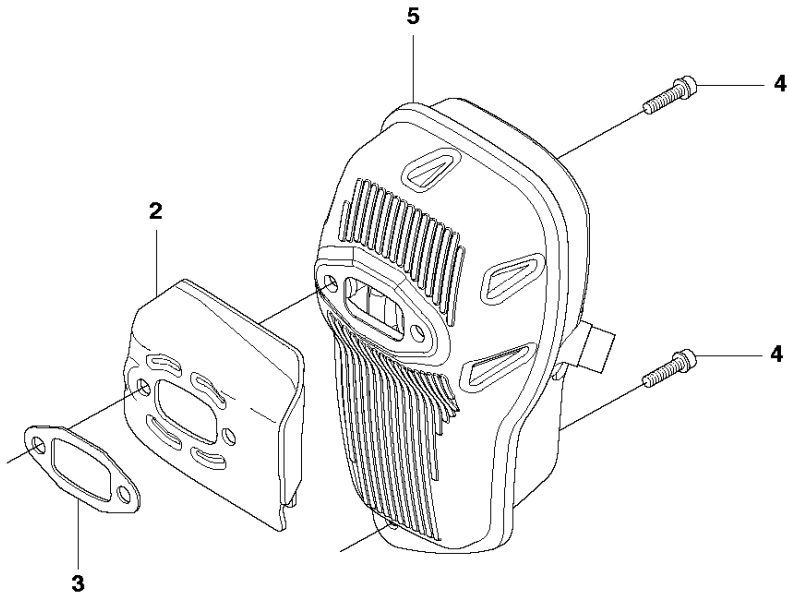
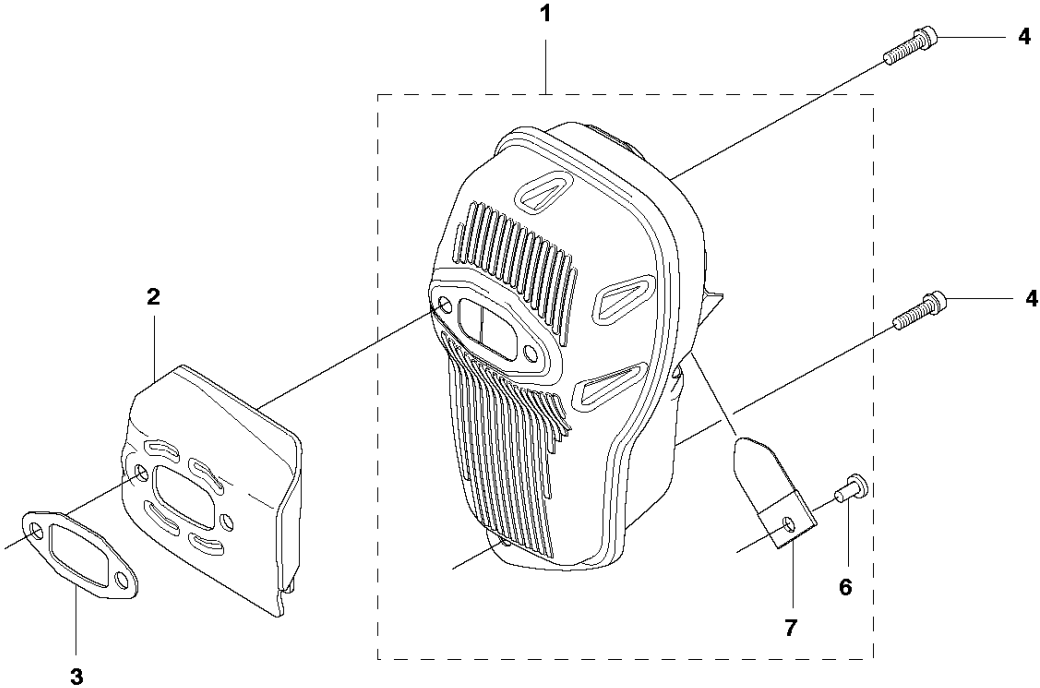
- 8 — **C 2256**
- 8 — **C 2256W**
- 8 — **BC 2256**
- 8 — **MC 2256**

## CYLINDER COVER

MC2256

Ref	Part No	Description	Remark	QTY	KIT
1	575 52 77-01	CYLINDER COVER ASSY	Spare part incl. Screws Pos. 2-3	1	
2	573 99 43-04	SCREW IHSCFMO	Captive Screw M5	3	1
3	573 99 43-01	SCREW IHSCFMO	Captive Screw M5	1	1
4	544 32 63-01	HEAT PROTECTOR		1	
5	503 20 07-76	SCREW IHSCFM		2	
6	505 49 26-02	PROTECTIVE COVER		1	
7	503 20 07-76	SCREW IHSCFM		2	
8	504 06 15-05	DECAL	FC	1	
8	504 06 15-06	DECAL	FCW	1	
8	504 06 15-07	DECAL	BC	1	
8	504 06 15-08	DECAL	MC	1	

**H** 2256  
MUFFLER

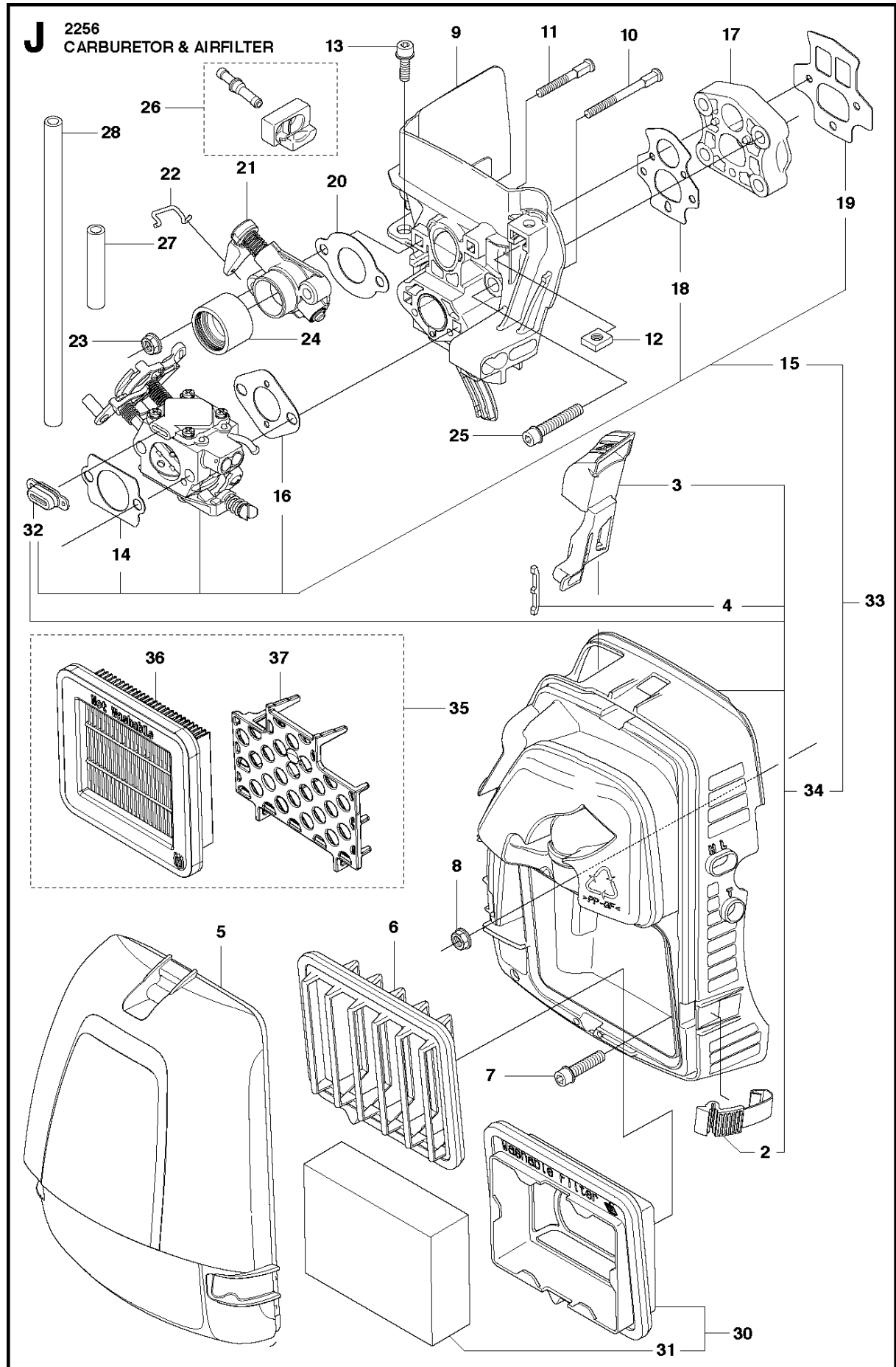




## MUFFLER

MC2256

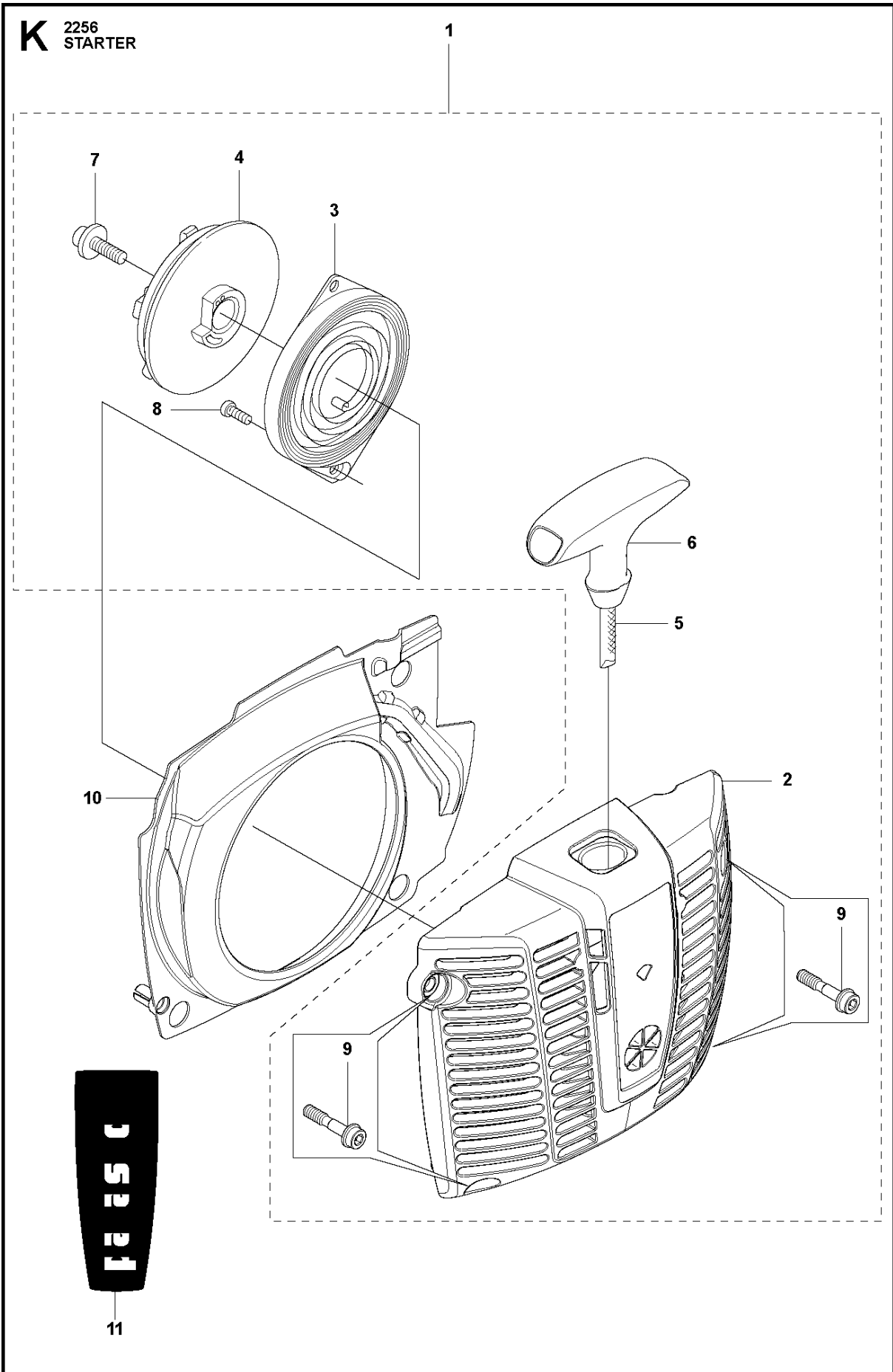
Ref	Part No	Description	Remark	QTY	KIT
1	537 36 03-01	MUFFLER ASSY	Mesh	1	
2	537 34 57-01	PLATE		1	
3	503 82 11-01	GASKET		1	
4	503 20 02-20	SCREW IHSCFM		3	
5	504 03 79-01	MUFFLER	Pipe	1	
6	724 12 87-59	SCREW CRPANM		1	1
7	537 35 46-01	SPARK ARRESTOR SCREE		1	1



## CARBURETOR &amp; AIR FILTER

MC2256

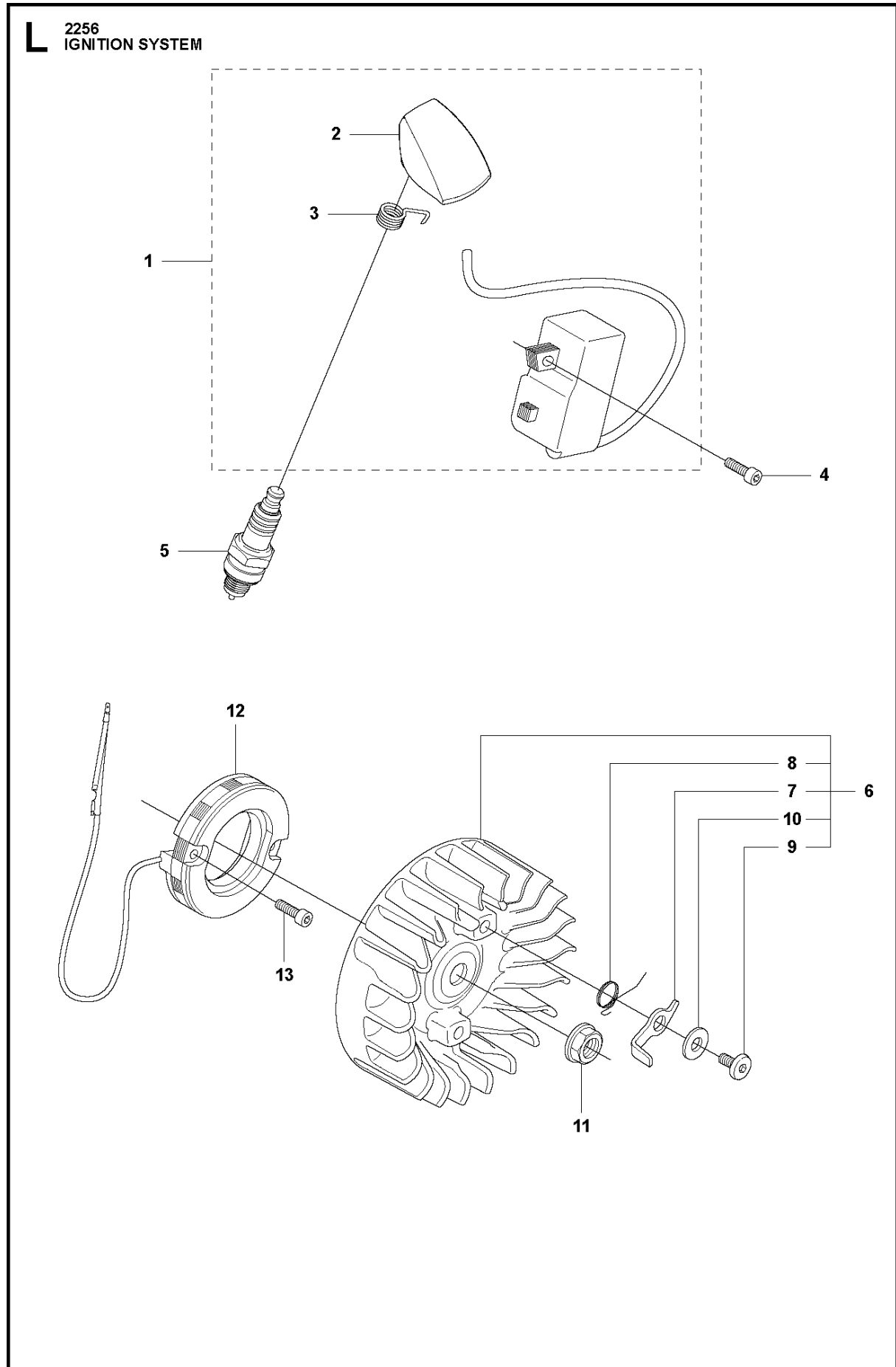
Ref	Part No	Description	Remark	QTY	KIT
2	503 74 01-03	SNAP LOCKING		3	34
3	537 35 26-01	CHOKE CONTROL		1	34
4	537 38 78-01	GROMMET		1	34
5	544 27 86-01	FILTER COVER		1	
6	537 41 08-01	FILTER	Nylon 80/32 Winter	1	
6	537 41 08-02	FILTER	Nylon 44/27	1	
7	503 20 07-76	SCREW IHSCFM		2	
8	731 71 14-51	HEXAGON NUT FLANGE		2	
9	537 35 04-01	INSULATION WALL		1	
10	503 98 81-01	SCREW		2	
11	503 98 81-04	SCREW		2	
12	503 22 65-04	SQUARE NUT		1	
13	503 20 07-76	SCREW IHSCFM		1	
14	544 42 99-01	GASKET		1	15
15	586 10 88-01	CARBURETTOR	s/n from 20130600067 -	1	
16	510 04 37-01	GASKET		1	15
17	544 04 33-01	MANIFOLD		1	
18	544 04 30-01	GASKET		1	15
19	544 04 31-01	GASKET		1	15
20	544 16 08-01	GASKET		1	
21	544 21 40-01	VALVE HOUSING		1	
22	544 84 78-01	LINK		1	
23	731 71 14-51	HEXAGON NUT FLANGE		2	
24	537 41 05-01	INLET PIPE		1	
25	503 20 07-80	SCREW IHSCFM		4	
26	544 16 15-01	GROMMET	Kit	1	
27	581 75 61-41	FUEL HOSE		1	
28	544 32 49-14	FUEL HOSE		1	
30	505 03 10-03	FILTER		1	30
31	505 03 47-02	FILTER		1	
32	577 96 93-01	SEALING PLUG	s/n from 20130600067 -	1	15, 34
32	579 62 01-01	SEALING PLUG	s/n up to - 20130600066	1	
33	586 15 41-01	CARBURETTOR KIT	s/n up to - 20130600066	1	15, 34
34	544 32 62-01	FILTER HOLDER ASSY		1	
35	596 32 49-01	AIR FILTER		1	
36	574 66 80-03	FILTER	Paper filter	1	
37	589 68 66-01	SUPPORT		1	



## STARTER

MC2256

Ref	Part No	Description	Remark	QTY KIT	
1	575 52 79-01	STARTER ASSY	Incl. Pos. 2-9	1	
2	575 54 16-01	STARTER HOUSING	Spare part incl. Screws Pos. 9	1	1
3	502 20 06-01	SPRING CASSETTE ASSY		1	1
4	503 95 73-01	STARTER PULLEY		1	1
5	505 30 51-25	STARTER CORD		1	1
6	544 37 65-01	STARTER HANDLE		1	1
7	503 21 69-16	SCREW IH SCT		1	1
8	503 21 29-06	SCREW CCRPANT		2	1
9	573 99 43-04	SCREW IHSCFMO	Captive Screw M5	4	1, 2
10	544 27 89-01	AIR CONDUCTOR		1	
11	504 06 14-01	DECAL		1	

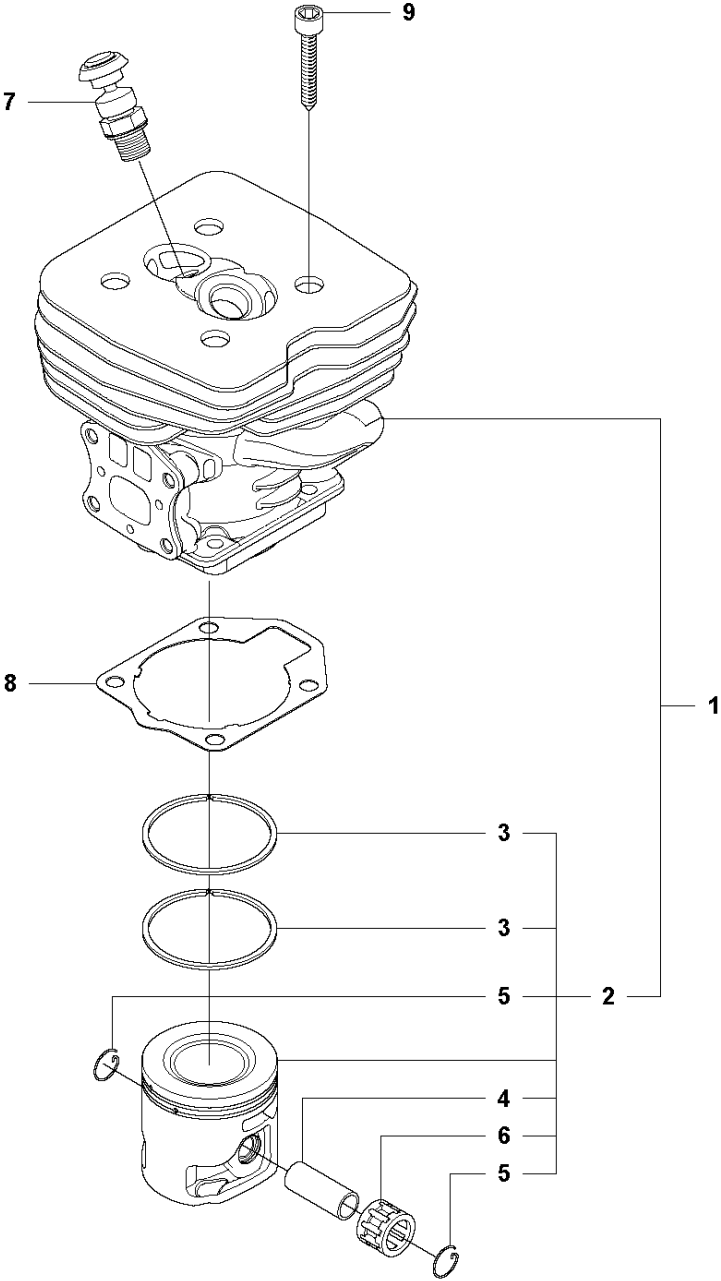


## IGNITION SYSTEM

MC2256

Ref	Part No	Description	Remark	QTY	KIT
1	504 70 87-01	IGNITION MODULE	Pos. 2-3	1	
2	544 30 70-01	SPARK PLUG CAP		1	1
3	501 48 56-01	CONTACT SPRING		1	1
4	503 20 25-16	SCREW IHSCM		2	
5	503 23 51-11	SPARK PLUG	NGK BPMR7A	1	
6	537 24 05-01	FLYWHEEL ASSY	BC, FC, MC Incl. Pos. 7-10	1	
6	537 24 05-02	FLYWHEEL ASSY	FCW Incl. Pos. 7-10	1	
7	503 81 24-01	STARTER PAWL		2	6
8	503 81 29-01	SPRING		2	6
9	501 81 99-03	SCREW		2	6
10	503 23 00-42	WASHER		2	6
11	503 22 04-01	NUT		1	
12	537 25 63-02	GENERATOR STATOR	FCW	1	
13	544 44 43-01	SCREW IHSCM	FCW	2	

**M** 2256  
CYLINDER & PISTON



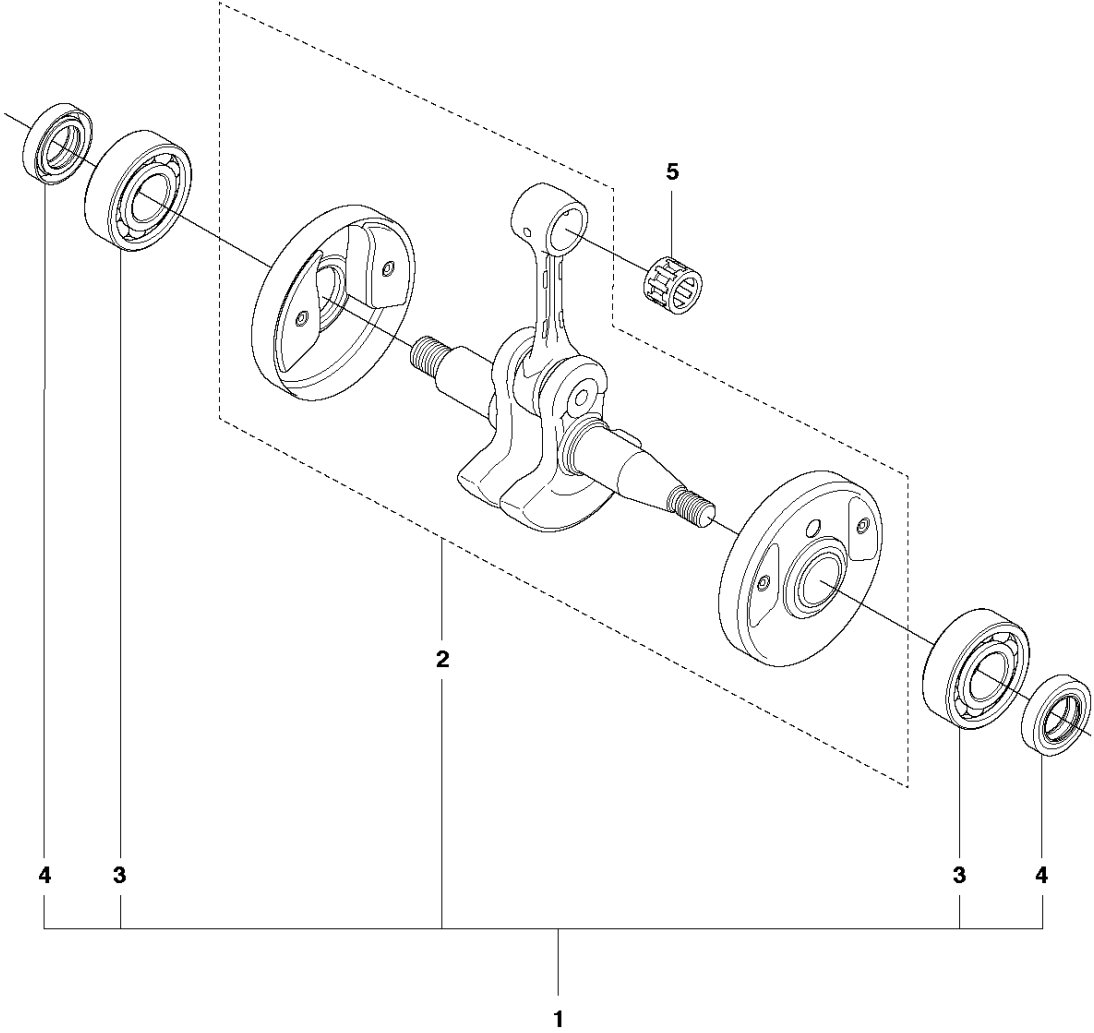


## CYLINDER PISTON

MC2256

Ref	Part No	Description	Remark	QTY	KIT
1	544 98 60-02	CYLINDER ASSY	Incl. Pos. 2-6	1	
2	576 95 48-01	PISTON ASSY	Incl. Pos. 3-6	1	1
3	502 65 39-01	PISTON RING		2	1, 2
4	505 49 57-01	PISTON PIN		1	1, 2
5	505 49 58-01	CIRCLIP		2	1, 2
6	501 45 16-01	NEEDLE BEARING		1	1, 2
7	544 20 00-01	DECOMPRESSION VALVE		1	
8	537 34 68-01	GASKET		1	
9	725 53 33-55	SCREW IHSCM		4	

**N** 2256  
CRANK SHAFT

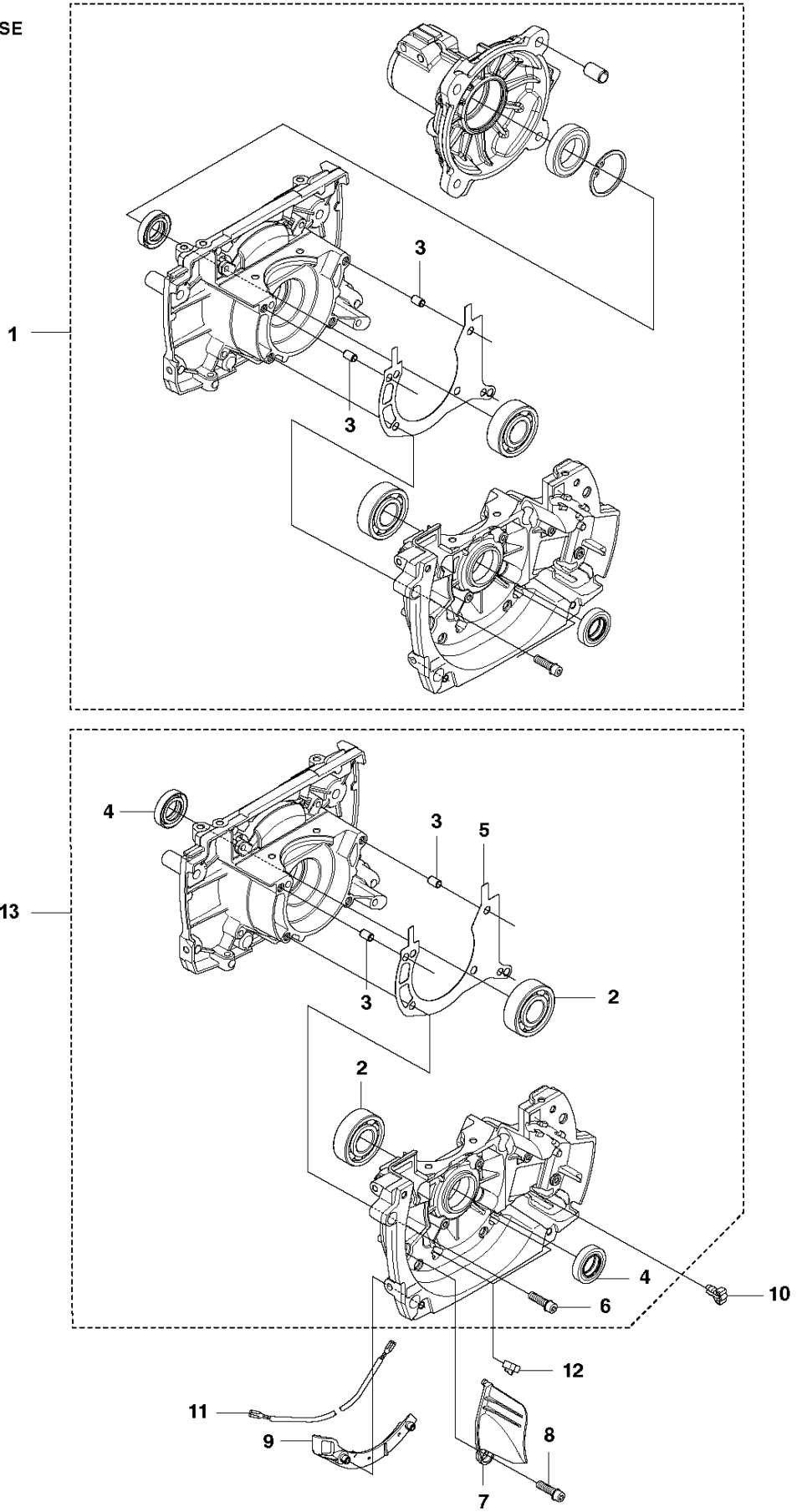


CRANKSHAFT

MC2256

Ref	Part No	Description	Remark	QTY	KIT
1	544 95 26-02	CRANKSHAFT		1	
2	537 29 38-04	CRANKSHAFT		1	1
3	738 22 02-25	BALL BEARING		2	1
4	503 26 02-04	SEALING RING		2	1
5	501 45 16-01	NEEDLE BEARING		1	

**P** 2256  
CRANKCASE



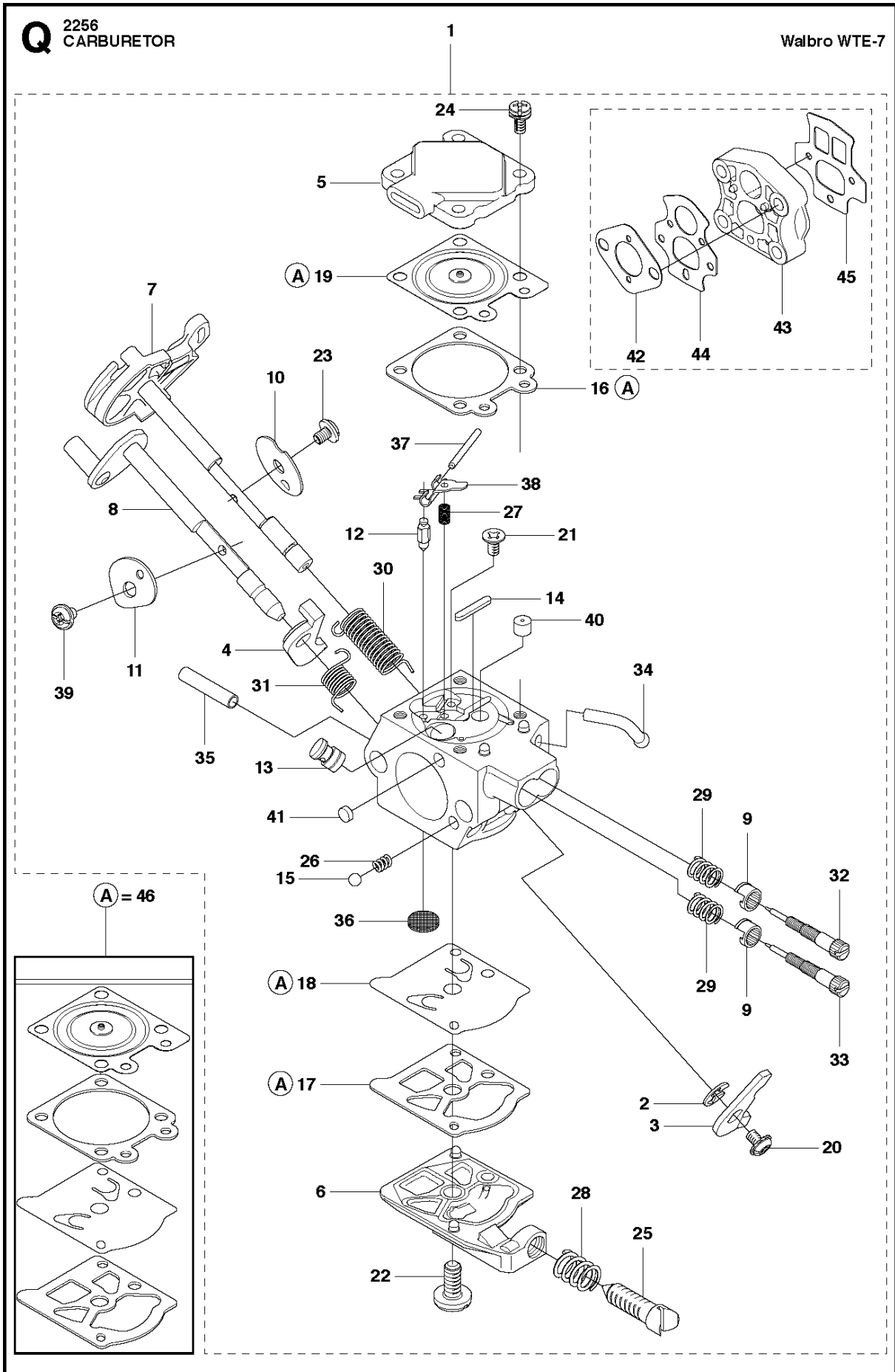
## CRANKCASE

MC2256

Ref	Part No	Description	Remark	QTY	KIT
1	503 91 15-01	CRANKCASE ASSY	up to s/n - 20191600180	1	
2	503 25 08-01	BEARING		2	13
3	593 80 60-01	GUIDE BUSHING	from s/n 20175100007 -	2	1,13
3	720 13 07-10	PARALLEL PIN	up to s/n - 20175100006	2	1,13
4	503 26 02-04	SEALING RING		2	13
5	537 34 67-01	GASKET	up to s/n - 20175100006	1	13
5	590 18 23-01	GASKET	from s/n 20175100007 -	1	13
6	503 20 02-30	SCREW IHSCFM		5	13
7	544 09 45-01	NOZZLE		1	
8	503 20 25-16	SCREW IHSCM		1	
9	544 09 44-01	CABLE HOLDER		1	
10	540 07 01-01	RETAINER		1	
11	544 33 18-01	SHORT CIRCUIT CABLE		1	
12	501 04 44-01	RETAINER		2	
13	544 95 25-03	CRANKCASE	from s/n 20191600181	1	

**Q** 2256  
CARBURETOR

Walbro WTE-7



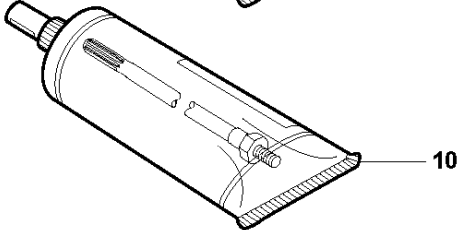
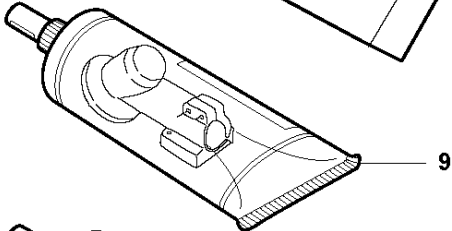
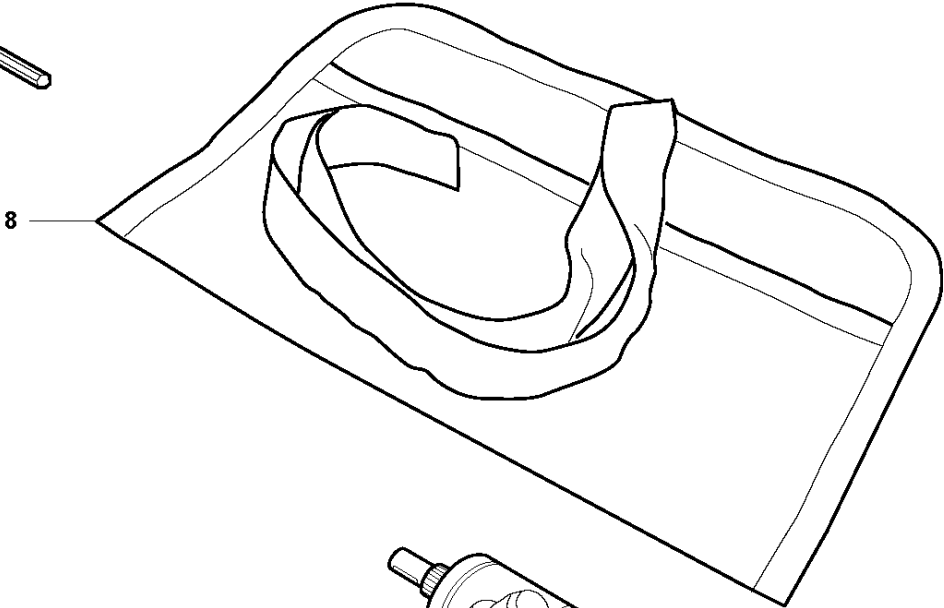
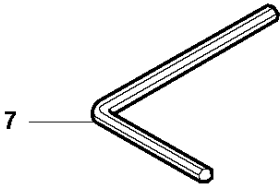
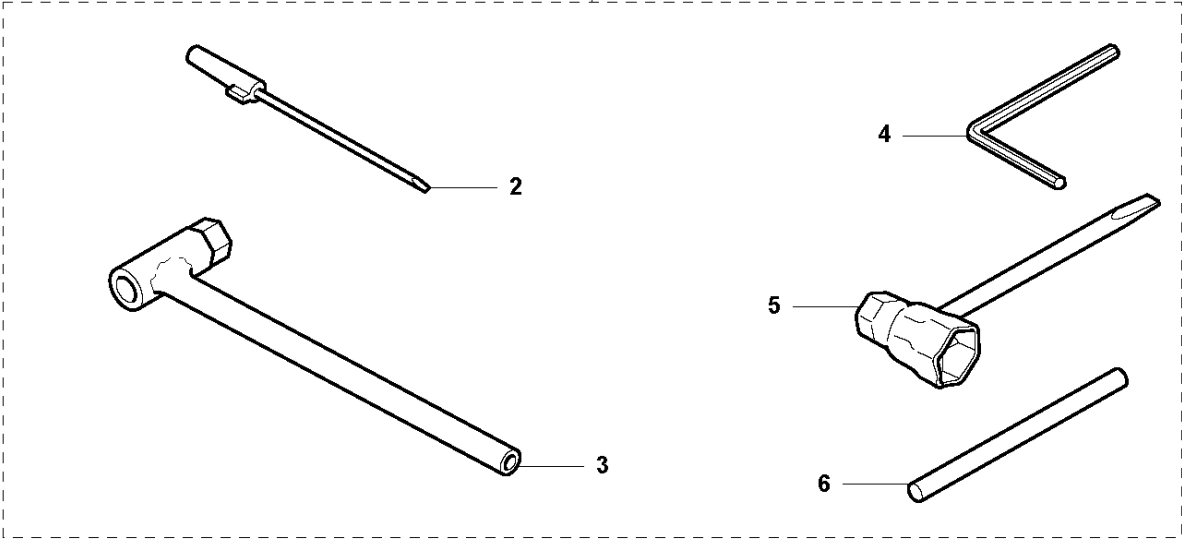
## CARBURETOR

MC2256

Ref	Part No	Description	Remark	QTY	KIT
1	586 10 88-01	CARBURETTOR	s/n from 20130600067 -	1	
1	586 15 41-01	CARBURETTOR KIT	s/n up to - 20130600067	1	
2	505 31 67-36	RING		1	1
3	544 97 07-01	LEVER		1	1
4	544 17 77-01	LEVER		1	1
5	505 31 67-54	LOCK STYRMEMBRAN		1	1
6	503 58 43-01	COVER		1	1
7	544 04 36-01	SHAFT		1	1
8	544 04 40-01	SHAFT		1	1
9	544 97 08-01	LIMITER CAP		2	1
10	505 42 71-01	VALVE		1	1
11	537 10 96-01	VALVE		1	1
12	503 56 34-01	NEEDLE VALVE		1	1
13	502 84 68-01	NOZZLE ASSY		1	1
14	502 84 69-01	PLUG		1	1
15	501 46 85-01	BALL		1	1
16	504 35 09-06	GASKET		1	1, 42
17	504 13 09-06	GASKET		1	1, 42
18	577 01 66-01	DIAPHRAGM		1	1, 42
19	580 80 42-01	DIAPHRAGM		1	1, 42
20	501 46 87-01	SCREW		1	1
21	502 84 71-01	SCREW		1	1
22	501 46 69-01	SCREW		1	1
23	537 00 34-01	SCREW		1	1
24	537 00 31-01	SCREW		4	1
25	537 00 31-01	SCREW		1	1
26	501 46 84-01	SPRING		1	1
27	501 79 59-01	SPRING		1	1
28	501 66 78-01	SPRING		1	1
29	544 97 10-01	SPRING		2	1
30	544 17 76-01	SPRING		1	1
31	544 97 11-01	SPRING		1	1
32	502 84 72-01	NEEDLE		1	1
33	502 84 73-01	NEEDLE		1	1
34	544 97 15-01	FITTING		1	1
35	544 97 16-01	FITTING		1	1
36	501 66 61-01	SCREEN		1	1
37	505 52 01-25	PIN		1	1
38	502 84 74-01	LEVER		1	1
39	544 11 15-01	SCREW		1	1
40	505 42 69-01	JET		1	1
41	503 57 43-01	PLUG		1	1
42	TBD	TBD	Delivered with 510 24 20-01. Separate spare part, see page J.	1	
43	TBD	TBD	Delivered with 510 24 20-01. Separate spare part, see page J.	1	
44	TBD	TBD	Delivered with 510 24 20-01. Separate spare part, see page J.	1	
45	TBD	TBD	Delivered with 510 24 20-01. Separate spare part, see page J.	1	
46	515 99 96-01	KIT		1	

**R1** 2256  
ACCESSORIES

1

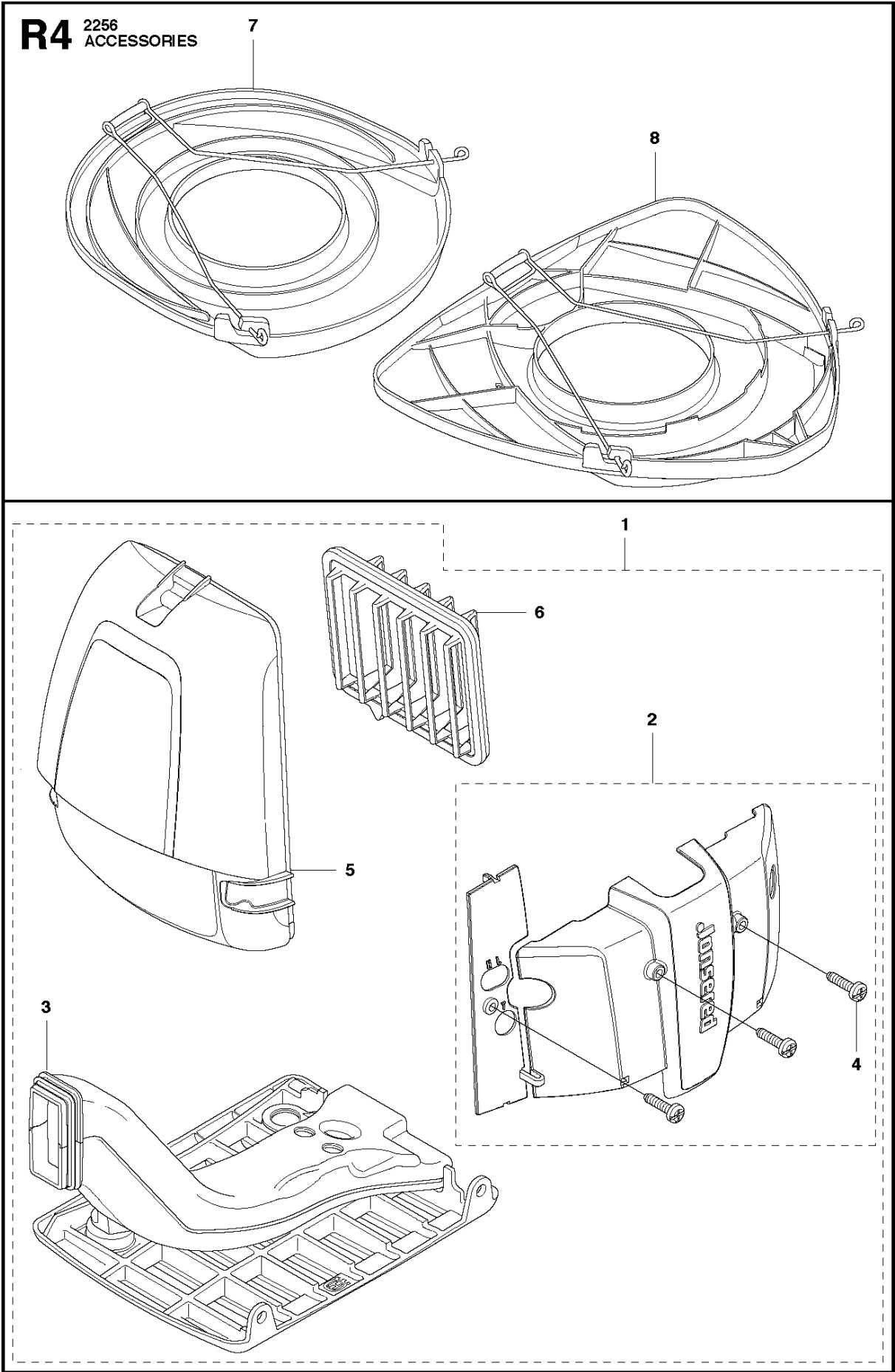




## ACCESSORIES

MC2256

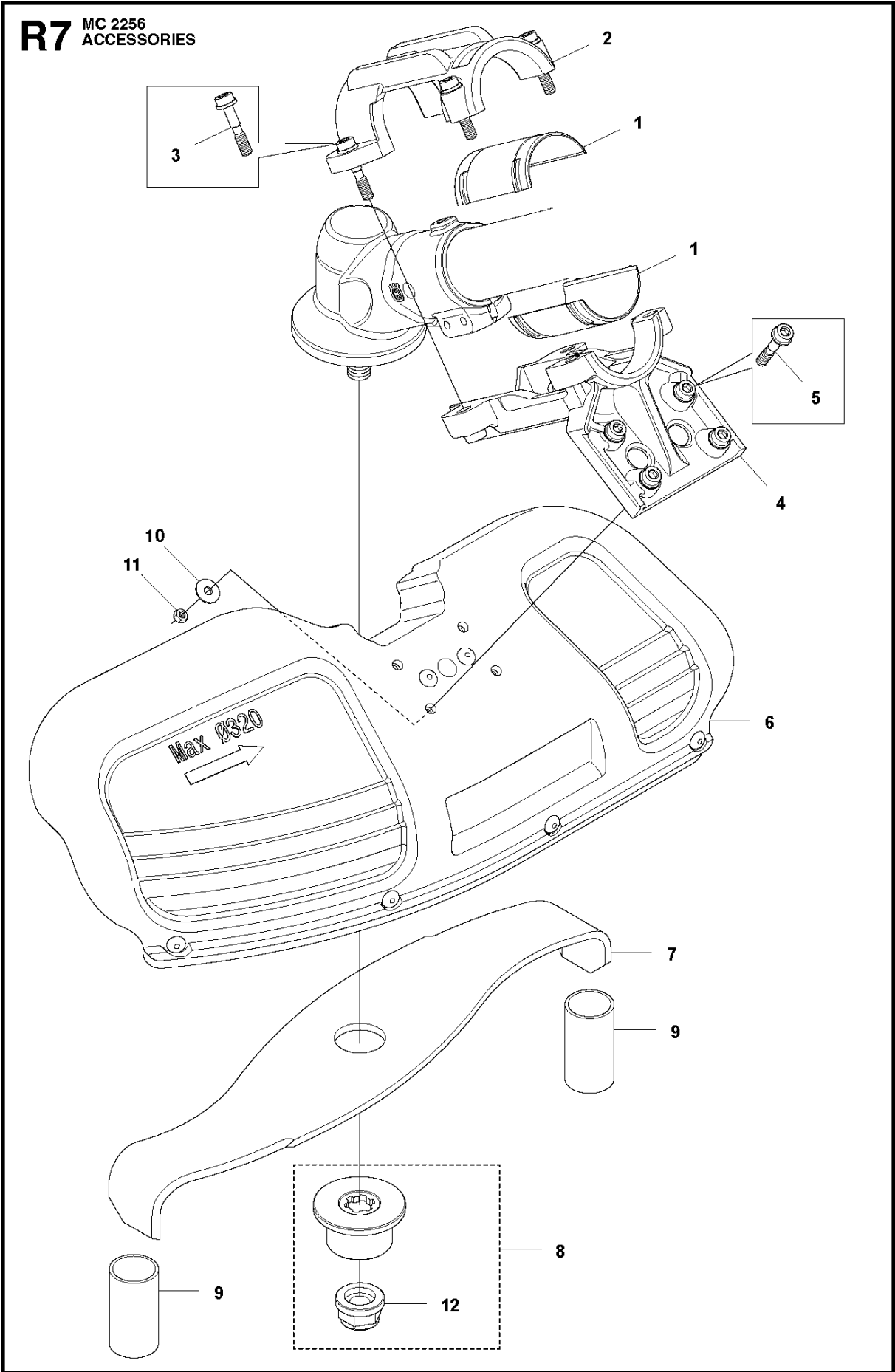
Ref	Part No	Description	Remark	QTY	KIT
1	502 21 60-15	ACCESSORY BAG	Incl. Pos. 2-6	1	
2	501 60 02-03	SCREWDRIVER		1	1
3	502 11 46-03	KEY		1	1
4	502 21 58-01	WRENCH	4mm	1	1
5	501 69 17-01	COMBINATION WRENCH		1	1
6	502 28 59-01	STOP		1	1
7	503 55 86-05	SPANNER	5mm	1	
8	501 19 22-01	TOOL		1	
9	503 97 64-01	GREASE		1	
10	503 80 17-01	GREASE		1	



## ACCESSORIES

MC2256

Ref	Part No	Description	Remark	QTY	KIT
1	502 43 58-02	WINTER KIT	Winter kit Incl. Pos. 2-6	1	
2	504 02 36-02	WINTER COVER ASSY		1	1
3	537 35 10-01	AIR DUCT		1	1
4	503 21 07-16	SCREW IHSC T		1	1
5	544 87 03-01	COVER		1	1
6	537 41 08-01	FILTER		1	1
7	537 31 29-01	TRANSPORT GUARD		1	
8	544 35 91-01	TRANSPORT GUARD		1	

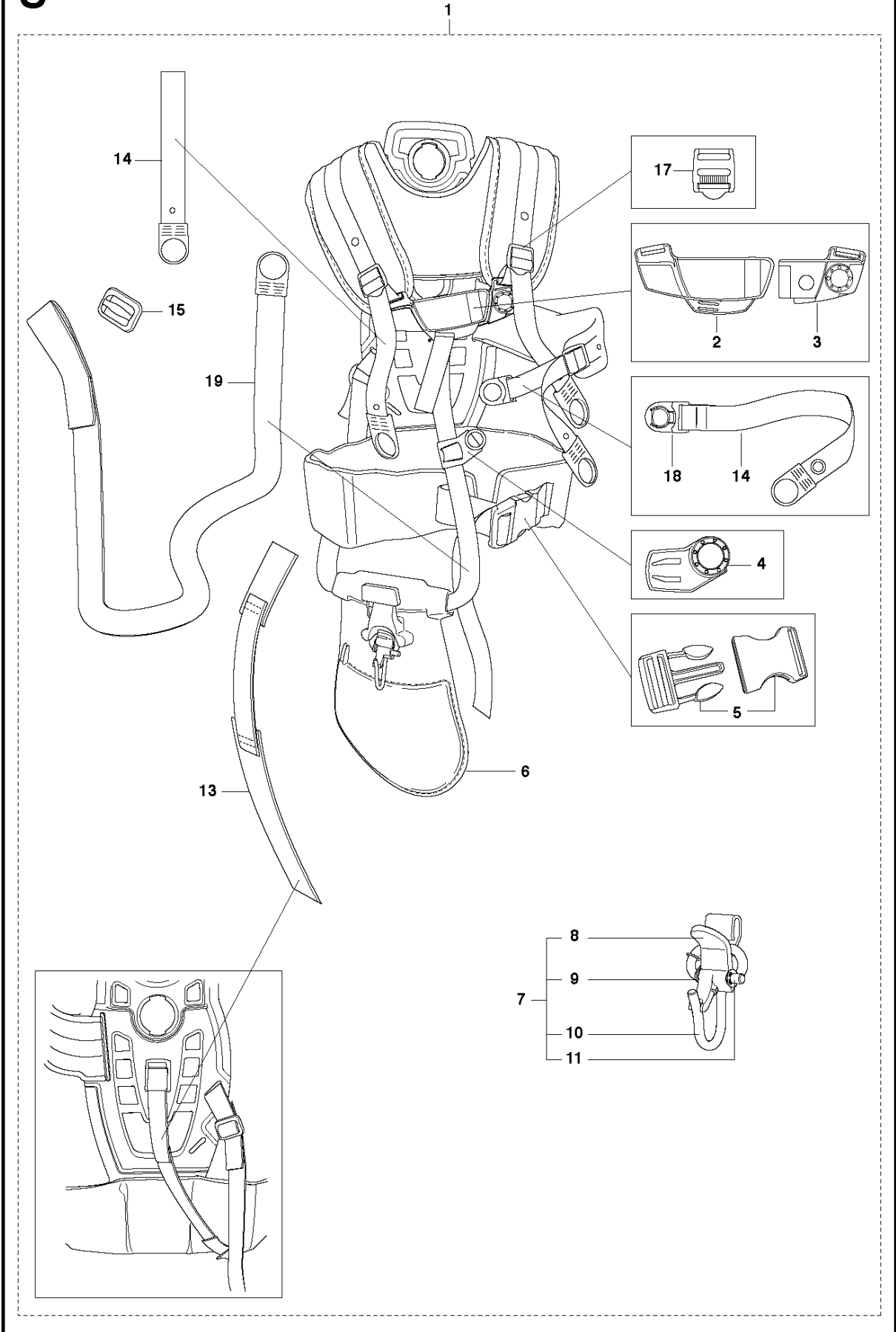


## ACCESSORIES

MC2256

Ref	Part No	Description	Remark	QTY	KIT
1	505 12 17-01	BUSHING		2	
2	501 32 14-01	CLAMP	Spare part incl. Screws Pos. 3	1	
3	573 99 43-04	SCREW IHSCFMO	Captive Screw M5	4	2
4	501 32 17-01	BRACKET	Spare part incl. Screws Pos. 3	1	
5	573 99 43-04	SCREW IHSCFMO	Captive Screw M5	4	4
6	544 02 65-03	SPRAY GUARD ASSY		1	
7	589 69 56-01	BLADE		1	
8	593 66 59-01	SUPPORT FLANGE		1	
9	537 19 49-01	TRANSPORT GUARD		2	
10	734 11 47-41	WASHER		4	
11	732 21 14-01	LOCK NUT		4	
12	584 13 55-01	NUT		1	8

**S** Vector 4

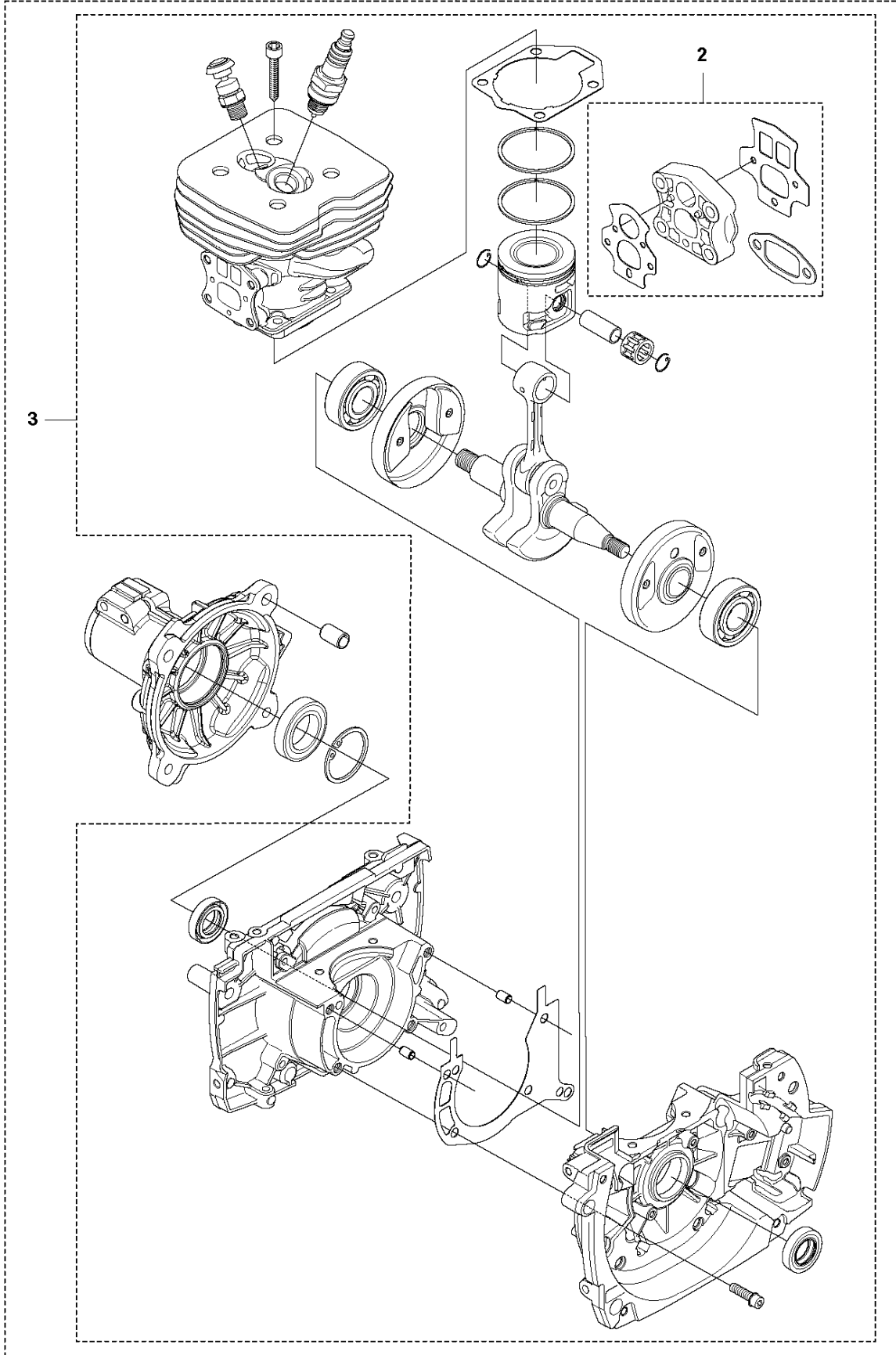


## HARNESS

MC2256

Ref	Part No	Description	Remark	QTY	KIT
1	579 18 46-01	HARNESS		1	1
2	504 54 52-02	FRONT PIECE		1	1
3	504 54 51-02	FRONT PIECE		1	1
4	504 63 75-02	SNAP LOCKING		1	1
5	537 33 15-01	BUCKLE		1	1
6	544 90 17-06	HIP PAD		1	1
7	544 96 07-02	WELT HOOK		1	1
8	502 02 30-02	LOCK		1	1, 7
9	502 02 38-01	SPRING		1	1, 7
10	502 02 29-02	HOOK		1	1, 7
11	735 31 09-20	E-CLIP		1	1, 7
13	537 15 35-06	STRAP		1	1
14	503 99 61-10	BAND		3	1
15	537 11 35-01	RETAINER		1	1
17	505 44 46-01	BUCKLE		3	1
18	504 63 74-01	SNAP LOCKING		1	1
19	503 99 61-11	BAND		1	1

**T** 2256  
SHORT BLOCK





SHORT BLOCK

MC2256

Ref	Part No	Description	Remark	QTY	KIT
1	576 79 88-03	SHORT BLOCK	up to s/n - 20191600180	1	
2	576 79 87-01	GASKET KIT		1	1,3
3	576 79 88-02	SHORT BLOCK	from s/n 20191600181	1	

# Illustrated Parts List - IPL Update



Product Name(s)

**MC2256**

Description of change

New solution and alternative because spring system between crankcase and clutch cover breaks.

Comments

Introduced from

Serial number / Date	Remark
2019-07	5449525-02
2019-07	5024935-06
2019-07	5767988-01

IPL updates

Page title	Ref. no	New part no	Name	Excl. part no.	Remark
CRANKCASE	1	503911501	<b>Crankcase assy</b>	544952502	Up to s/n - 20191600180
CRANKCASE	13	544952503	<b>crankcase</b>	544952502	From s/n 20191600181
CLUTCH	1	597519202	<b>Clutch cover assy</b>	502493506	up to s/n - 20191600180. Incl. pos. 2-4
CLUTCH	1	597519201	<b>Clutch cover assy</b>	502493506	from s/n 20191600181- Incl. pos. 2-4
SHORT BLOCK	1	576798803	<b>Short block</b>	576798801	Up to s/n - 20191600180
SHORT BLOCK	3	576798802	<b>Short block</b>	576798801	From s/n 20191600181