

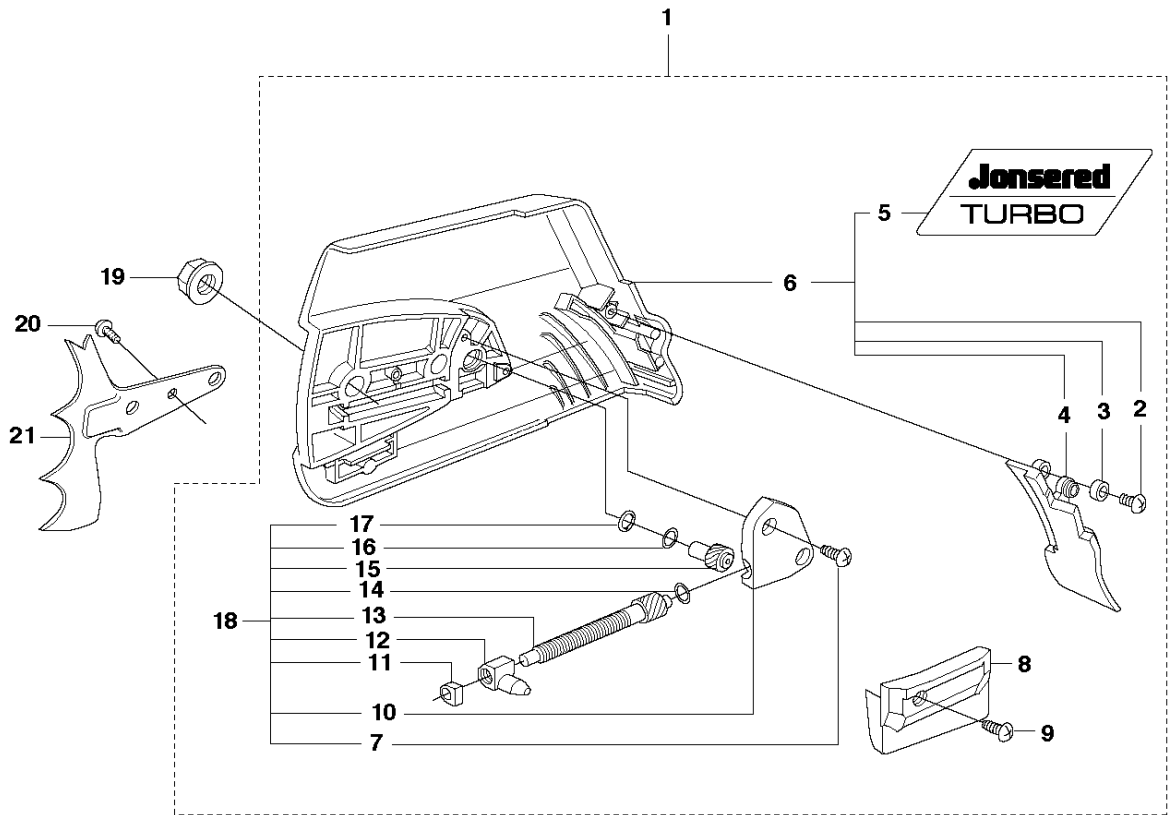


SPARE PARTS LIST

CHAIN SAWS

CS2172 from 2019-10 -

A1 CS2172
CLUTCH COVER

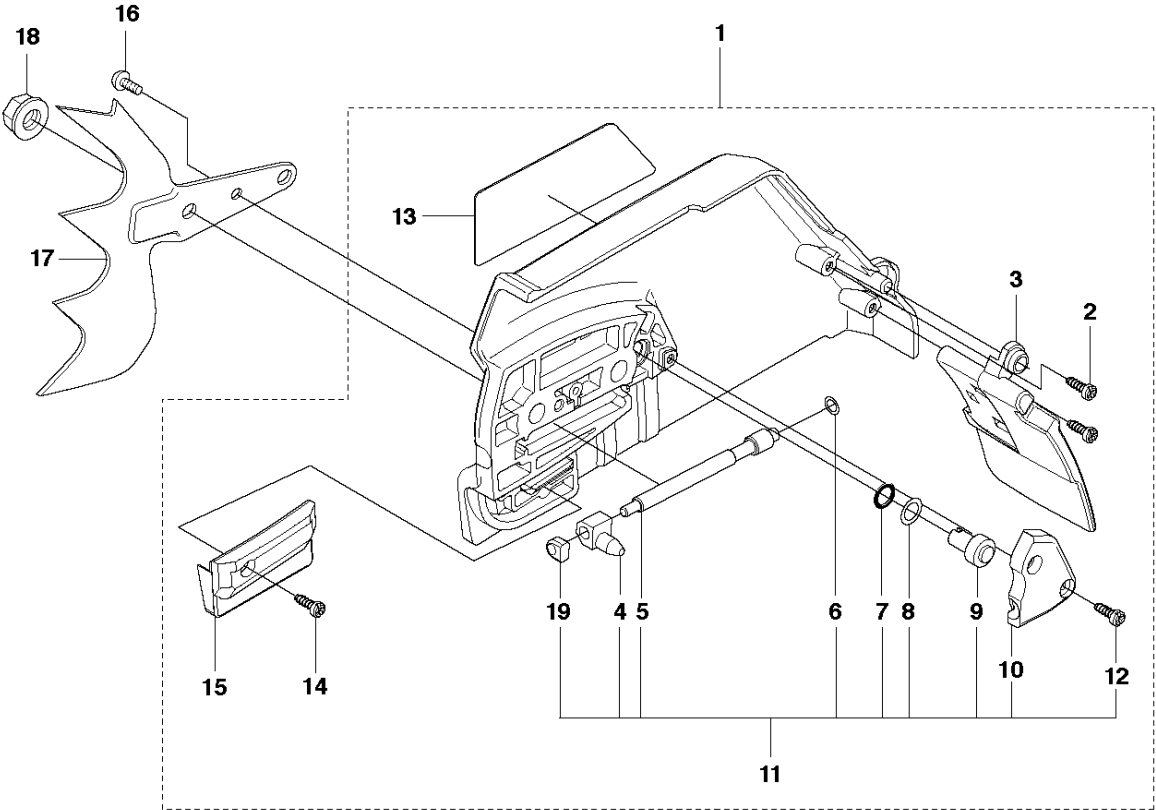


CLUTCH COVER

CS2172 from 2019-10 -

Ref	Part No	Description	Remark	QTY	KIT
1	537 07 20-02	CLUTCH COVER ASSY		1	
2	525 88 74-02	SCREW CITXPANT		1	1, 6
3	503 89 70-01	SLEEVE		1	1, 6
4	503 76 29-02	CHIP GUARD		1	1, 6
5	537 24 43-01	LABEL		1	1, 6
6	537 07 20-71	CLUTCH COVER ASSY		1	1
7	525 88 74-02	SCREW CITXPANT		2	1,18
8	537 19 06-01	CHAIN GUIDE		1	1
9	525 88 74-02	SCREW CITXPANT		1	1
10	537 01 68-01	COVER		1	1, 18
11	537 01 74-01	BEARING SLEEVE		1	1, 18
12	503 99 83-01	PAWL		1	1, 18
13	537 07 95-02	WORM SCREW		1	1, 18
14	503 23 00-66	WASHER		1	1, 18
15	537 07 94-02	WORM WHEEL		1	1, 18
16	503 23 00-63	WASHER		1	1, 18
17	740 48 07-02	O-RING		1	1, 18
18	537 04 41-02	CHAIN TENSIONER		1	1
19	503 22 00-01	HEXAGON NUT		2	
20	525 88 74-02	SCREW CITXPANT		1	
21	503 71 97-01	SPIKE		1	

A2 CS2172
CLUTCH COVER

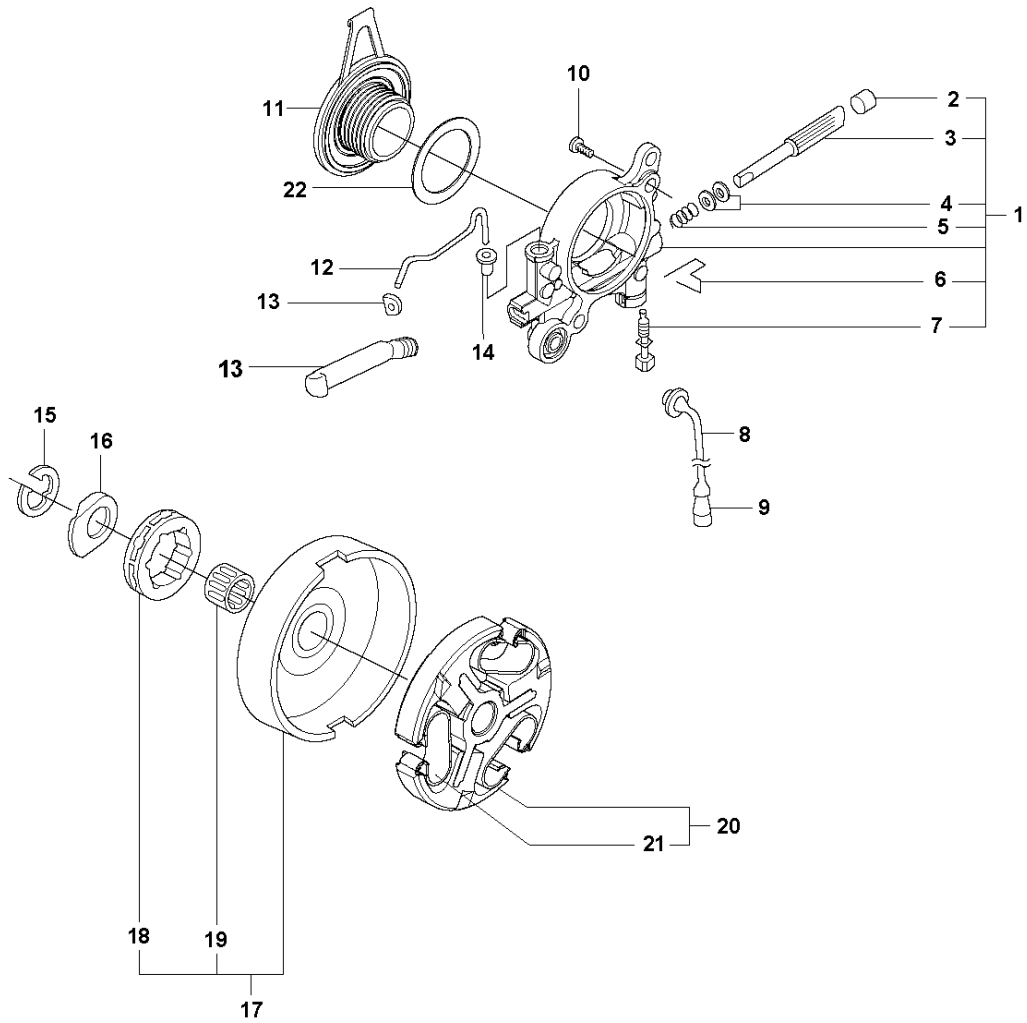


CLUTCH COVER

CS2172 from 2019-10 -

Ref	Part No	Description	Remark	QTY	KIT
1	537 33 10-02	CLUTCH COVER ASSY	WA	1	
2	525 88 74-02	SCREW CITXPANT		2	1
3	537 17 41-01	CHIP GUARD		1	1, 11
4	503 99 83-01	PAWL		1	1, 11
5	537 07 95-02	WORM SCREW		1	1, 11
6	503 23 00-66	WASHER		1	1, 11
7	740 48 07-02	O-RING		1	1, 11
8	503 23 00-63	WASHER		1	1, 11
9	537 07 94-02	WORM WHEEL		1	1, 11
10	537 01 68-01	COVER		1	1, 11
11	537 04 41-02	CHAIN TENSIONER		1	1
12	525 88 74-02	SCREW CITXPANT		2	1, 11
13	537 03 38-02	LABEL		1	1
14	525 88 74-02	SCREW CITXPANT		1	1
15	537 04 34-01	CHAIN GUIDE		1	1
16	525 88 74-02	SCREW CITXPANT		1	
17	503 92 27-01	SPIKE	WA	1	
18	503 22 00-01	HEXAGON NUT		2	
19	537 01 74-01	BEARING SLEEVE		1	11

B CS2172
CLUTCH & OIL PUMP

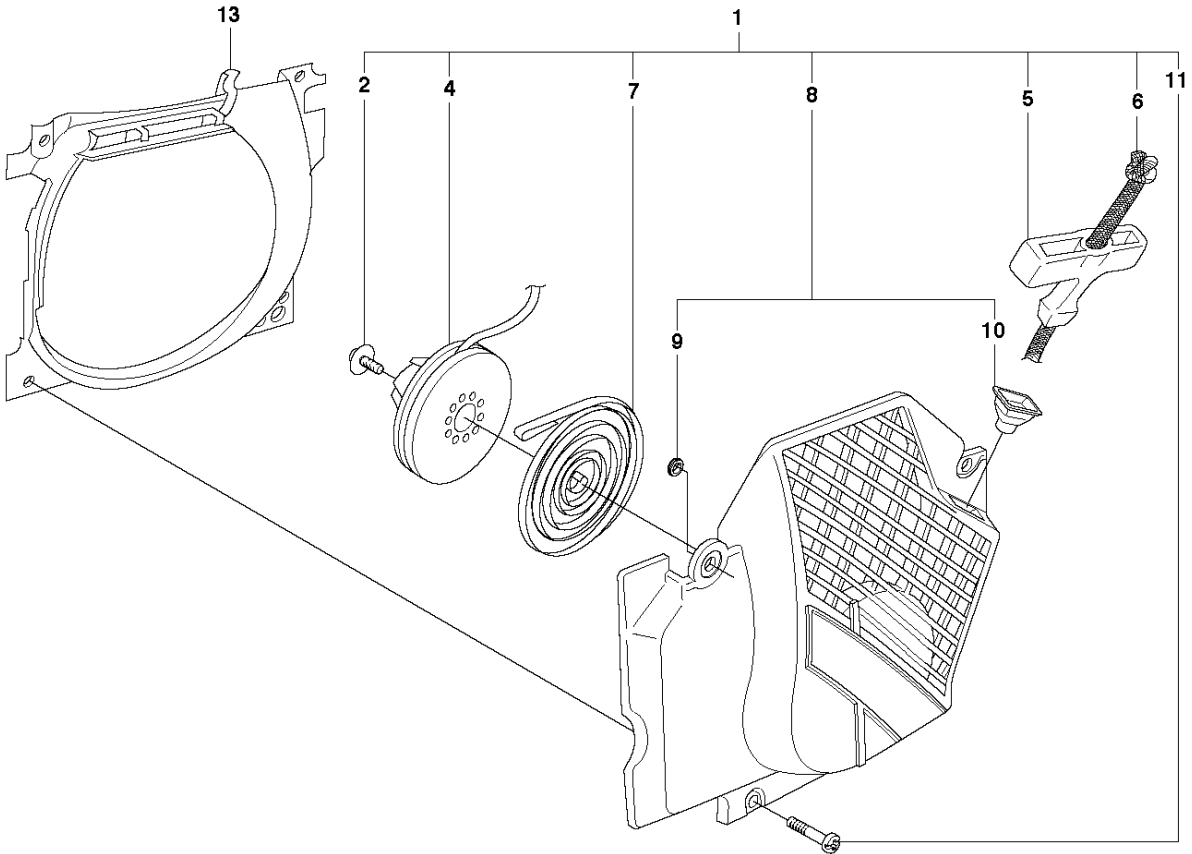


CLUTCH & OIL PUMP

CS2172 from 2019-10 -

Ref	Part No	Description	Remark	QTY	KIT
1	503 52 13-03	OIL PUMP ASSY		1	
2	503 62 49-01	SEALING PLUG		1	1
3	503 52 15-01	PUMP PISTON		1	1
4	503 23 00-04	WASHER		1	1
5	501 61 58-01	SPRING		1	1
6	503 81 30-01	SPRING		1	1
7	503 81 13-01	SCREW		1	1
8	503 42 67-01	OIL HOSE		1	
9	501 54 41-02	OIL SCREEN		1	
10	525 82 49-12	SCREW ITXSCM		1	
11	537 20 78-07	PUMP PINION		1	
12	503 77 43-01	OIL PIPE		1	
13	503 64 47-01	BUSHING	Up to serial number 20182009999	1	
13	587 29 18-01	OIL PRESSURE HOSE	From serial number 20182100001	1	
14	504 30 00-26	SEALING		1	
15	503 27 21-01	E-CLIP		1	
16	503 75 24-01	WASHER		1	
17	586 98 06-01	CLUTCH DRUM ASSY	"3/8"x7T"	1	
17	586 98 06-02	CLUTCH DRUM ASSY	"3/8"x8T"	1	
18	501 59 80-02	RIM	"3/8"x7T"	1	17
18	505 30 36-61	RIM	"3/8"x8T"	1	17
19	503 43 20-01	NEEDLE HOLDER		1	17
20	586 79 84-01	CLUTCH ASSY		1	
21	537 36 06-01	CLUTCH SPRING		1	20
22	503 23 00-59	WASHER		1	

C CS2172
STARTER



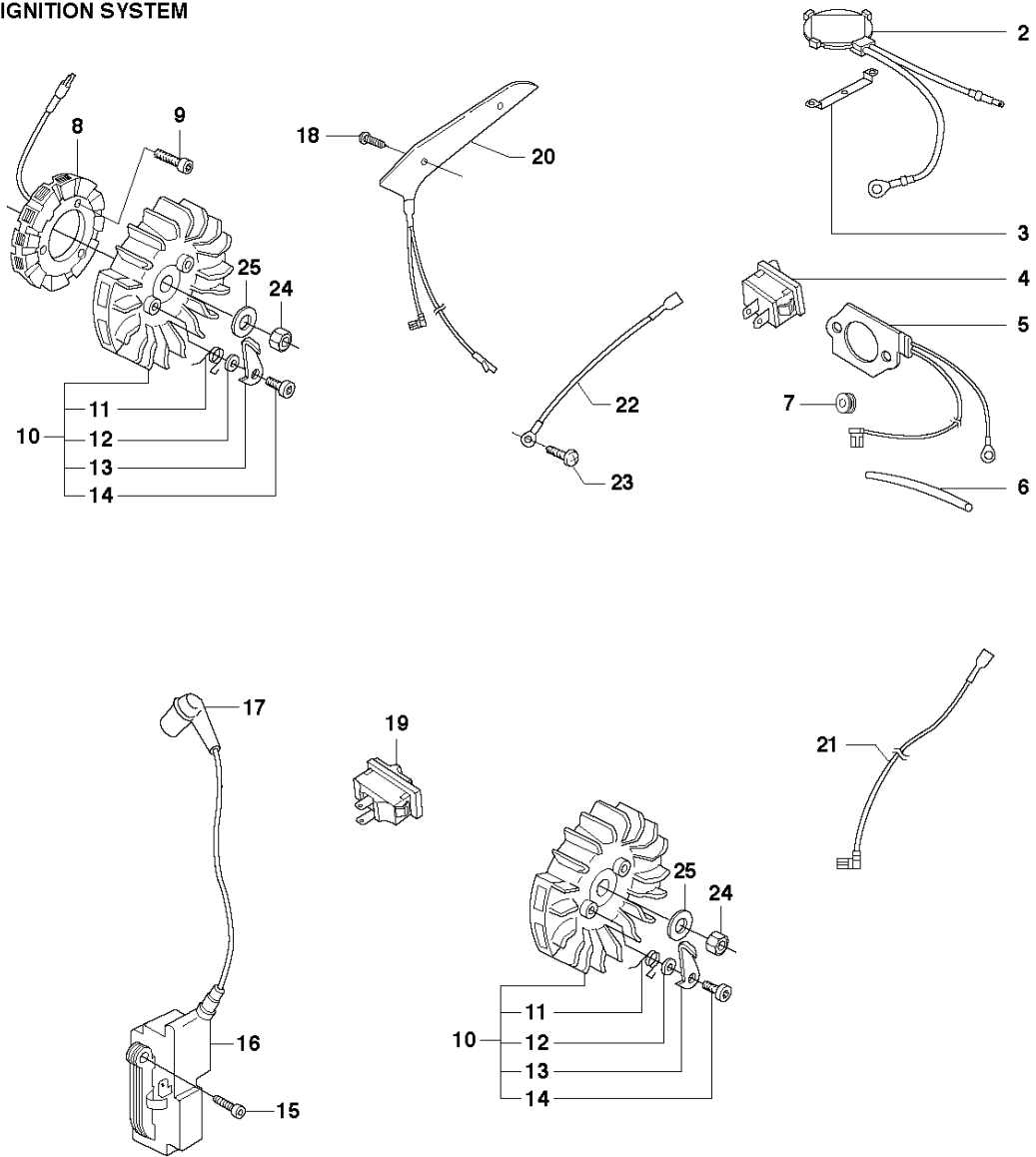
12
Jonsered
CS 2172

STARTER

CS2172 from 2019-10 -

Ref	Part No	Description	Remark	QTY KIT	
1	503 69 28-03	STARTER ASSY		1	
2	586 44 31-01	SCREW ITXSCFT		1	1
4	503 85 96-01	STARTER PULLEY		1	1
5	537 19 65-01	STARTER HANDLE		1	1
6	503 43 29-02	STARTER CORD		1	1
7	503 78 72-01	RECOIL SPRING		1	1
8	503 69 29-04	STARTER HOUSING		1	1
9	537 08 67-01	BUSHING		1	1, 8
10	501 63 06-01	SLEEVE		1	1, 8
11	525 82 45-01	SCREW CITXPANMO		4	1
12	537 14 55-09	LABEL		1	
12	537 14 55-10	LABEL	WH	1	
13	503 62 83-01	AIR CONDUCTOR		1	

D CS2172
IGNITION SYSTEM

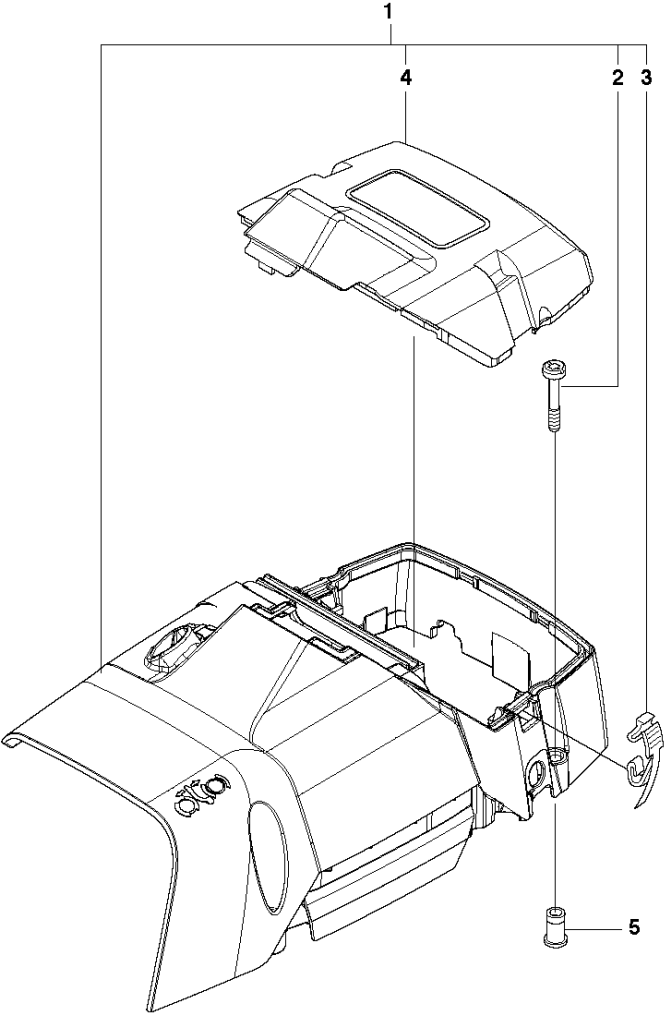


IGNITION SYSTEM

CS2172 from 2019-10 -

Ref	Part No	Description	Remark	QTY	KIT
2	537 18 98-01	THERMOSTAT ASSY	W	1	
3	537 06 32-01	RETAINER	W	1	
4	503 55 49-01	SWITCH	W	1	
5	537 06 53-02	FOIL ELEMENT	W	1	
6	503 23 85-65	SHRINKAGE HOSE	W	2	
7	501 43 00-01	CABLE GROMMET	W	2	
8	537 07 18-02	STATOR ASSY	W	2	
9	586 43 85-02	SCREW ITXSCM	W	2	
10	537 05 16-06	FLYWHEEL ASSY	W	1	
10	537 05 16-05	FLYWHEEL ASSY		1	
11	501 67 35-01	SPRING		1	10
12	503 23 00-42	WASHER		1	10
13	537 01 55-01	STARTER PAWL		1	10
14	506 00 69-01	SCREW		1	10
15	582 02 97-01	SCREW ITXSCM		2	
16	586 88 03-03	IGNITION MODULE	DM51 COT	1	
17	501 48 54-02	SPARK PLUG CAP		1	
18	586 50 54-01	SCREW ITXCSRT		2	
19	503 71 82-01	SWITCH		1	
20	503 70 59-01	HEATING PLATE	W	1	
21	503 62 61-01	CABLE		1	
22	503 89 76-01	CABLE		1	
23	525 88 74-02	SCREW CITXPANT		1	
24	503 22 10-11	HEXAGON NUT		2	
25	503 23 01-01	WASHER		1	

E CS2172
CYLINDER COVER

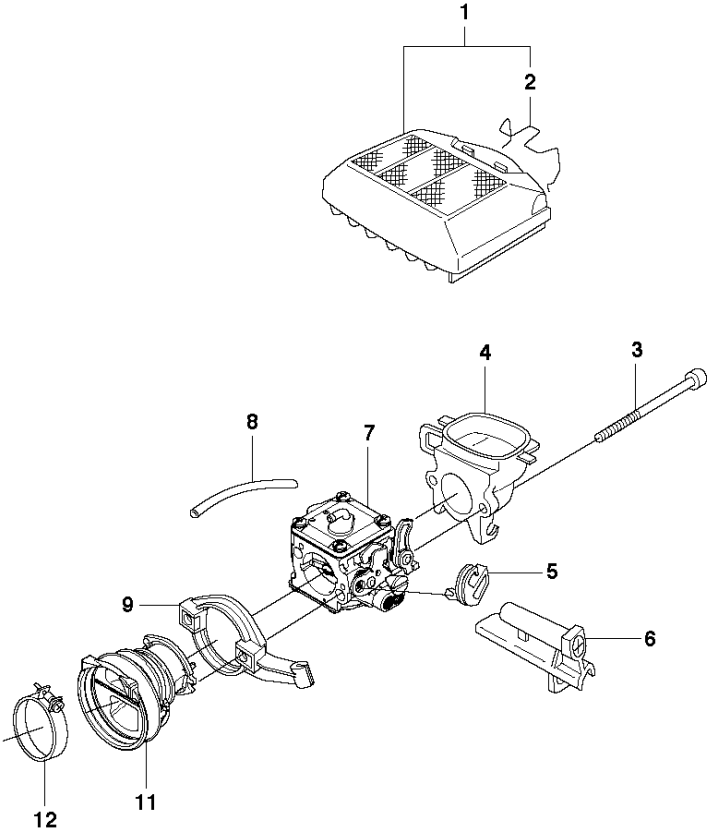


CYLINDER COVER

CS2172 from 2019-10 -

Ref	Part No	Description	Remark	QTY	KIT
1	574 45 82-02	CYLINDER COVER ASSY		1	
2	525 88 70-01	SCREW CITXPANMO		3	1
3	503 69 91-02	SNAP LOCKING		2	1
4	503 69 60-01	FILTER COVER		1	1
5	537 05 59-03	SLEEVE		3	1

F CS2172
CARBURETOR & AIRFILTER

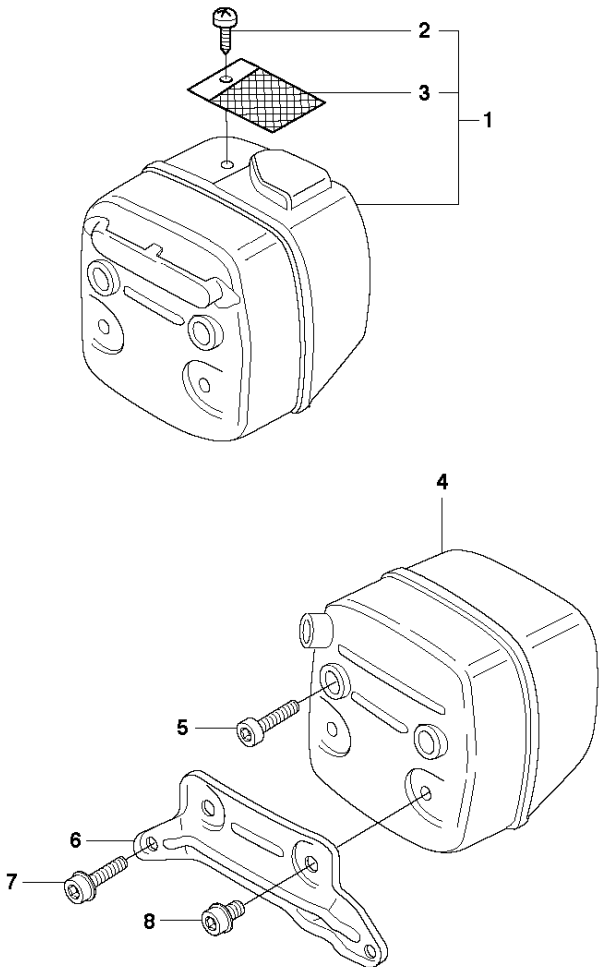


CARBURETOR & AIR FILTER

CS2172 from 2019-10 -

Ref	Part No	Description	Remark	QTY	KIT
1	575 26 91-01	AIR FILTER ASSY	80 My	1	
1	575 26 91-02	AIR FILTER ASSY	44 My	1	
1	575 26 91-03	AIR FILTER ASSY	Felt	1	
2	503 73 54-01	CLAMP		1	1
3	581 14 30-02	SCREW ITXSCM		2	
4	515 98 29-02	FILTER HOLDER		1	
5	503 68 41-01	LEVER		1	
6	522 41 88-01	GUIDE SLEEVE		1	
7	581 10 07-01	CARBURETTOR	Walbro RWJ-4B	1	
8	503 40 06-04	IMPULSE HOSE		1	
9	522 44 62-01	FLANGE		1	
11	521 99 25-03	INLET PIPE		1	
11	521 99 25-04	INLET PIPE	For cold conditions	1	
12	505 28 33-11	HOSE CLAMP		1	

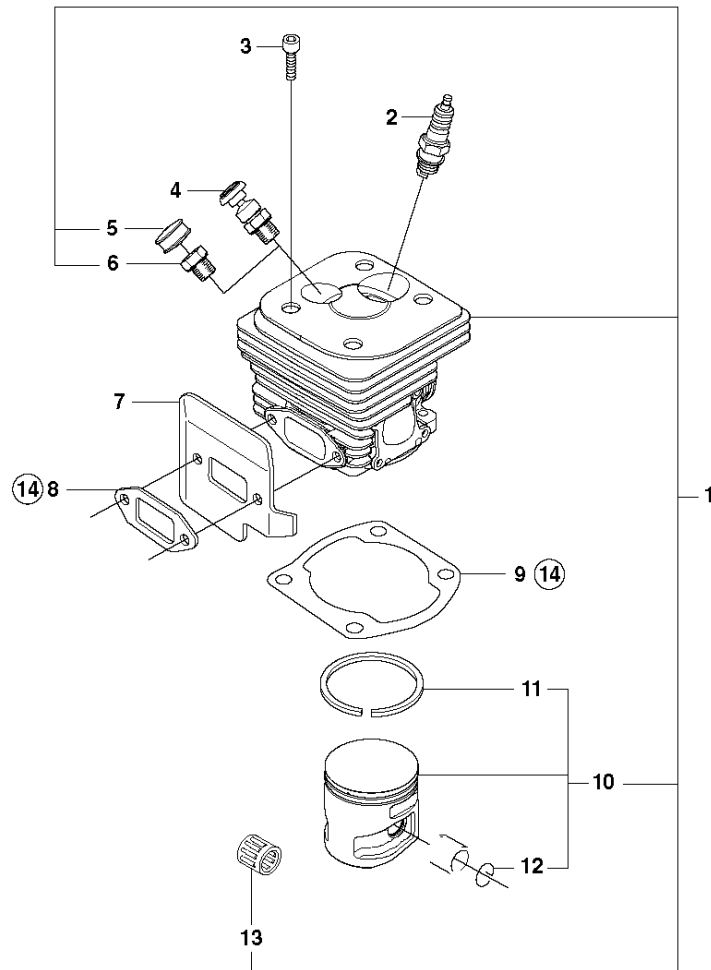
G CS2172
MUFFLER



MUFFLER

CS2172 from 2019-10 -

Ref	Part No	Description	Remark	QTY	KIT
1	544 02 97-02	MUFFLER ASSY	DF	1	
2	724 12 87-59	SCREW CRPANM		1	1
3	503 76 64-02	SPARK ARRESTER SCREEN		1	1
4	544 02 95-01	MUFFLER ASSY	Tube	1	
5	525 82 51-01	SCREW ITXSCM		2	
6	579 02 59-01	SUPPORT		1	
7	525 75 51-01	SCREW ITXSCFM		2	
8	525 75 51-07	SCREW ITXSCFM		2	

H CS2172
CYLINDER PISTON

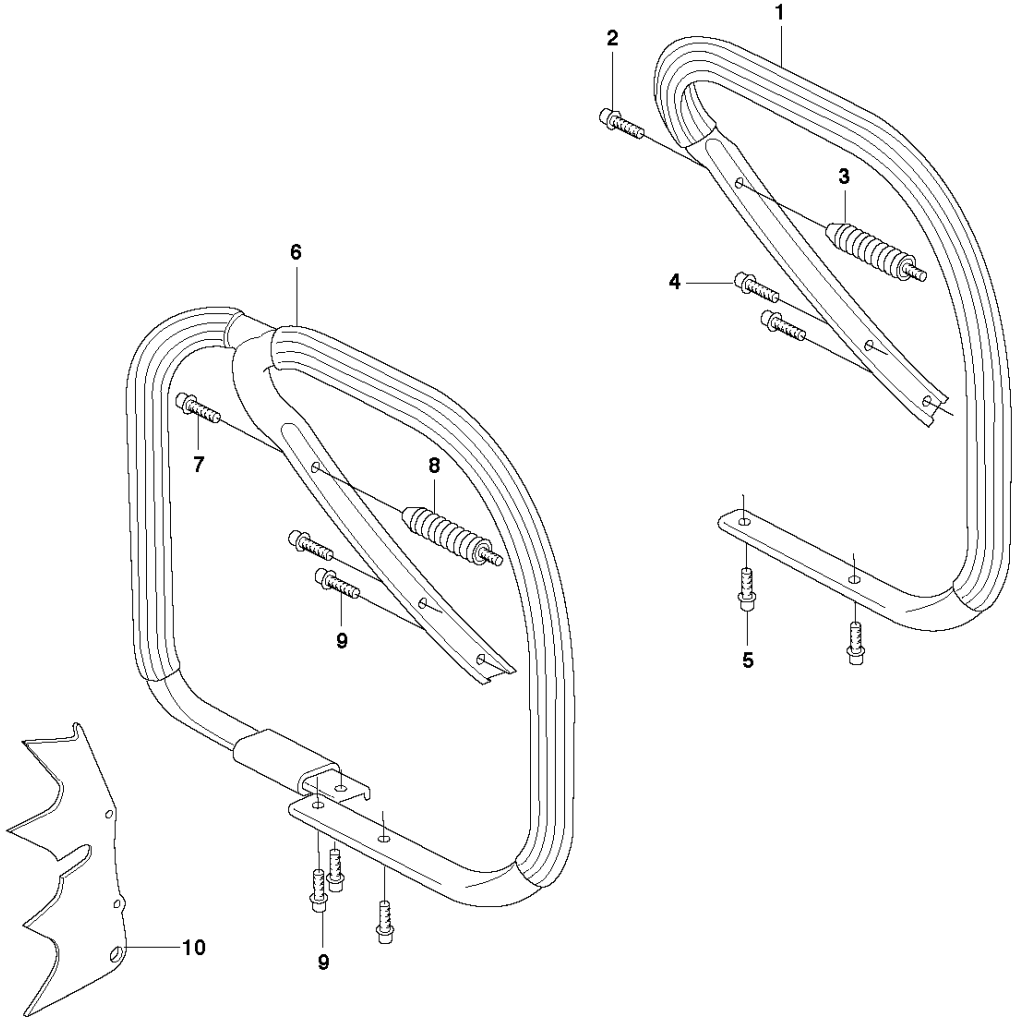
⑭ 503 64 72-01
Set of gaskets
Dichtungssatz
Jeu de joints
Juego de juntas
Packningssats

CYLINDER PISTON

CS2172 from 2019-10 -

Ref	Part No	Description	Remark	QTY KIT	
1	575 25 57-02	CYLINDER ASSY		1	
2	503 23 51-11	SPARK PLUG	NGK BPMR7A	1	
3	525 82 49-03	SCREW ITXSCM		4	
4	584 28 87-01	DECOMPRESSION VALVE		1	
5	537 20 71-01	PLUG		1	1
6	503 55 22-01	PLUG		1	1
7	523 04 91-01	HEAT DEFLECTOR		1	
8	503 77 59-01	GASKET		1	14
9	503 96 15-01	GASKET		1	14
10	577 20 77-02	PISTON ASSY		1	1
11	576 81 84-01	PISTON RING		2	1, 10
12	737 43 12-00	SNAP RING		2	1, 10
13	577 57 24-01	NEEDLE BEARING		1	1
14	503 64 72-01	GASKET KIT	Set of gaskets	1	1

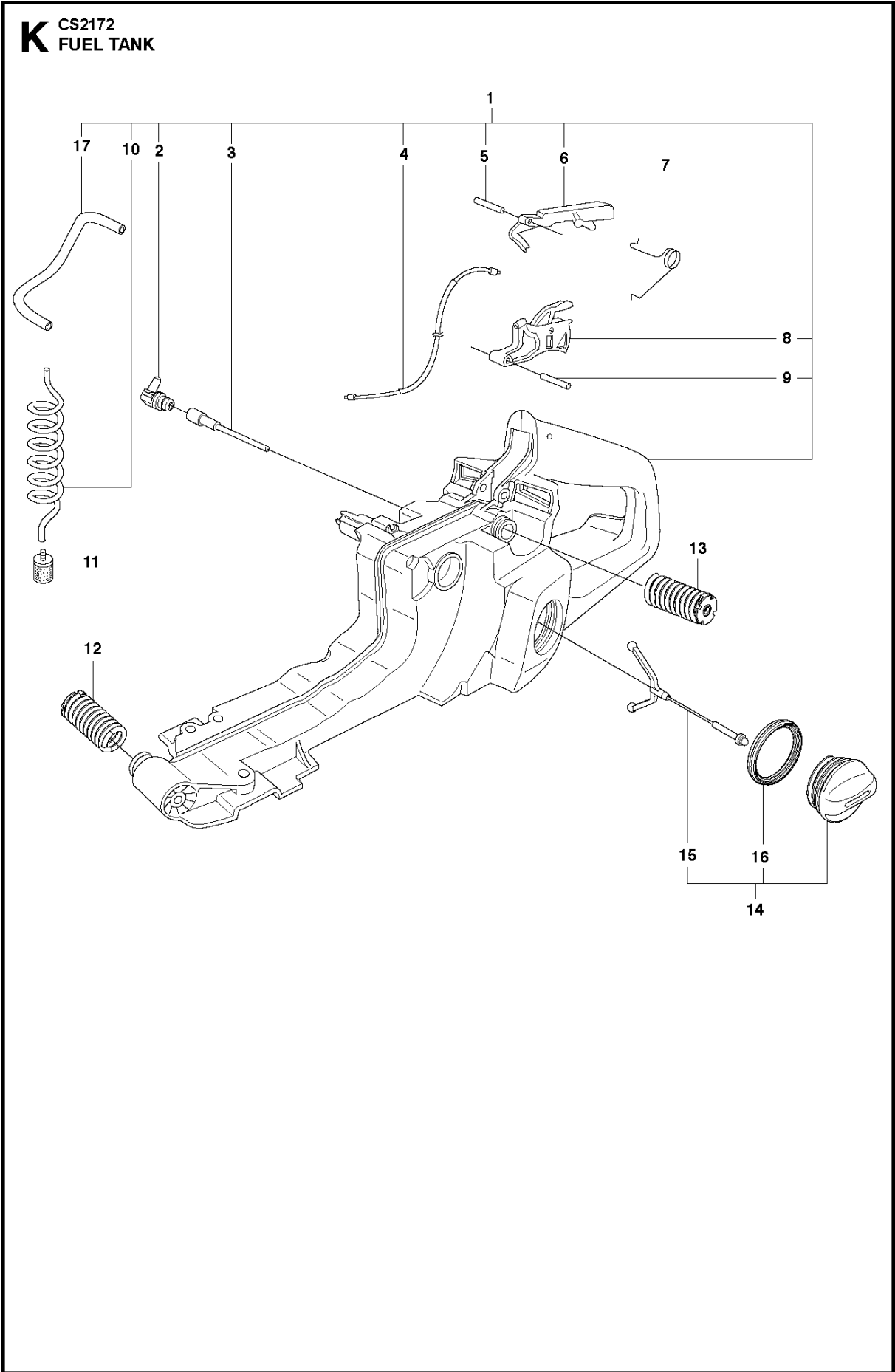
J CS2172
HANDLE



HANDLE

CS2172 from 2019-10 -

Ref	Part No	Description	Remark	QTY KIT
1	574 45 78-01	FRONT HANDLE ASSY		1
1	574 45 78-02	FRONT HANDLE ASSY	W	1
2	586 44 00-01	SCREW ITXSCFT		1
3	503 63 75-04	ANTIVIBRATION ELEMENT	STD	1
3	503 63 75-05	ANTIVIBRATION ELEMENT	HARD	1
3	503 68 45-04	ANTIVIBRATION ELEMENT	W	1
4	586 44 30-01	SCREW ITXSCFT		2
5	586 44 30-01	SCREW ITXSCFT		2
6	574 45 80-01	HANDLE	WRAP	1
7	586 44 00-01	SCREW ITXSCFT		1
8	503 63 75-04	ANTIVIBRATION ELEMENT		1
9	586 44 30-01	SCREW ITXSCFT		5
10	537 01 72-01	SPIKE		1

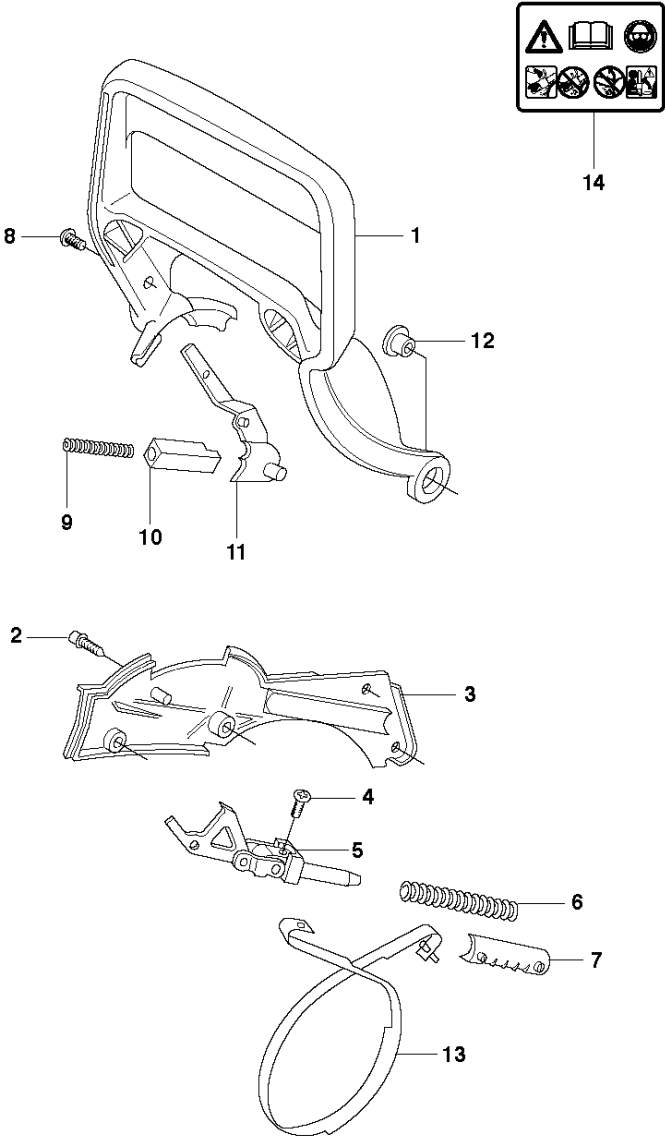


FUEL TANK

CS2172 from 2019-10 -

Ref	Part No	Description	Remark	QTY	KIT
1	503 71 91-05	FUEL TANK		1	
2	537 09 93-01	CONNECTION BEND		1	1
3	537 09 22-01	TANK VENT ASSY		1	1
4	503 71 76-01	THROTTLE CABLE ASSY		1	1
5	720 12 40-20	PARALLEL PIN		1	1
6	503 55 66-02	THROTTLE LOCKOUT		1	1
7	503 73 64-01	SPRING		1	1
8	503 82 98-02	THROTTLE TRIGGER		1	1
9	720 12 72-20	PARALLEL PIN		1	
10	581 75 62-02	FUEL HOSE		1	1
11	503 44 32-01	FUEL FILTER		1	
12	503 63 76-03	ANTIVIBRATION ELEMENT	Std	1	
12	503 63 76-04	ANTIVIBRATION ELEMENT	Hard	1	
13	503 89 56-01	ANTIVIBRATION ELEMENT	Std	1	
13	503 89 56-02	ANTIVIBRATION ELEMENT	Hard	1	
14	537 21 52-06	TANK CAP ASSY		1	
15	503 57 89-03	HOLDER		1	14
16	589 24 11-01	GASKET		1	14
17	581 75 61-06	FUEL HOSE		1	1

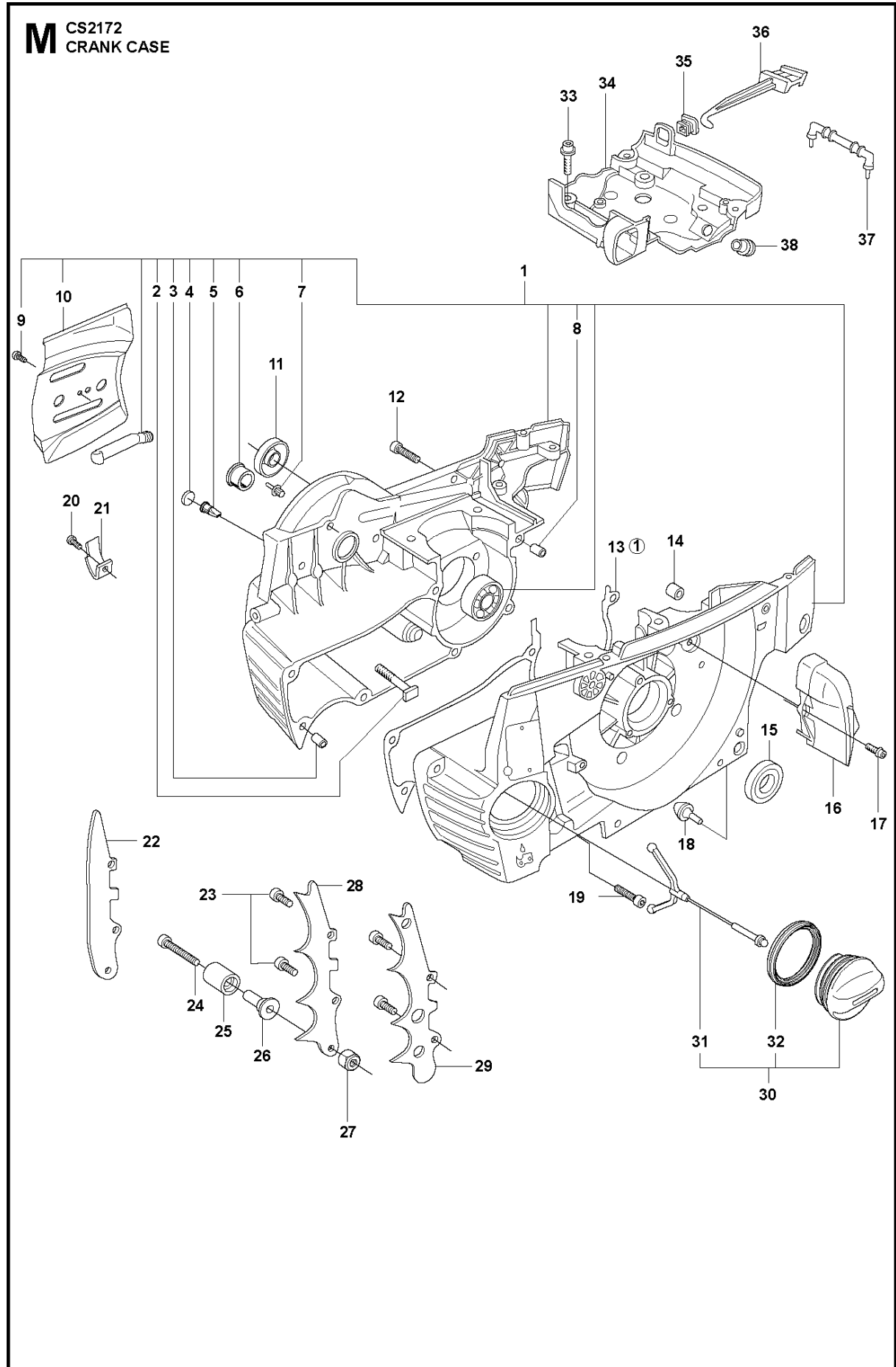
L CS2172
CHAIN BRAKE



CHAIN BRAKE

CS2172 from 2019-10 -

Ref	Part No	Description	Remark	QTY	KIT
1	576 25 59-01	HAND GUARD		1	
2	525 75 52-01	SCREW ITXSCFM		4	
3	503 75 11-03	HUB CAP		1	
4	525 88 74-02	SCREW CITXPANT		1	
5	501 87 53-03	KNEE JOINT		1	
6	503 70 99-02	BRAKE SPRING		1	
7	503 79 27-02	SUPPORT		1	
8	586 43 85-01	SCREW ITXSCM		1	
9	503 43 65-01	POSITION SPRING		1	
10	503 83 81-02	LOCK		1	
11	537 00 87-01	BRAKE LEVER		1	
12	503 77 52-01	BUSHING		1	
13	503 75 22-02	BRAKE BAND ASSY		1	
14	503 98 74-01	LABEL		1	1

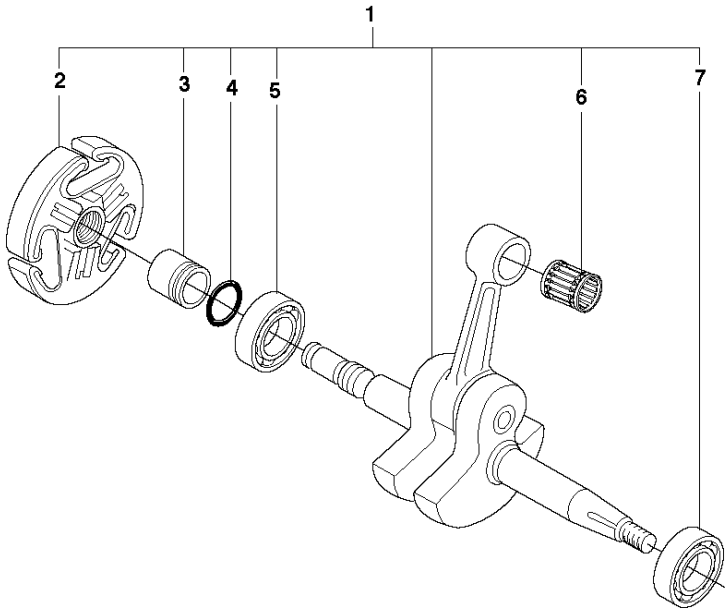


CRANKCASE

CS2172 from 2019-10 -

Ref	Part No	Description	Remark	QTY KIT	
1	503 62 68-20	CRANKCASE ASSY		1	
2	537 05 13-01	BAR BOLT		1	1
3	501 27 08-01	GUIDE BUSHING		1	1
4	530 02 61-19	CHECK VALVE		1	1
5	537 40 35-01	FILTER		1	1
6	503 96 70-01	BUSHING		1	1
7	503 75 18-01	PIN		1	1
8	501 27 08-01	GUIDE BUSHING		1	1
9	525 88 74-02	SCREW CITXPANT		1	1
10	537 01 37-01	CHAIN GUIDE PLATE	Up to serial number 20182009999	1	
10	537 01 37-02	CHAIN GUIDE PLATE	From serial number 20182100001	1	1
11	503 26 03-01	SEALING RING		1	
12	586 44 54-01	SCREW ITXSCM		1	
13	503 62 72-01	GASKET		1	
14	503 85 73-01	COVER		1	
15	505 27 57-19	SEALING RING		1	
16	503 62 84-01	AIR NOZZLE		1	
17	525 75 52-01	SCREW ITXSCFM		1	
18	503 84 61-01	BUFFER		1	
19	575 79 12-02	SCREW ITXSCM		1	
20	525 82 49-13	SCREW ITXSCM		1	
21	501 68 68-01	CHAIN CATCHER		1	
22	537 04 29-01	BUMPER		1	
23	575 79 35-01	SCREW ITXPANM		1	
24	525 75 51-03	SCREW ITXSCFM		1	
25	537 02 44-01	WEAR PROTECTION		1	
26	537 08 92-01	CHAIN CATCHER		1	
27	503 22 24-01	LOCK NUT		1	
28	537 01 71-01	SPIKE		1	
29	503 64 79-02	SPIKE		1	
30	537 21 52-06	TANK CAP ASSY		1	
31	503 57 89-01	HOLDER		1	30
32	589 24 11-01	GASKET		1	30
33	525 75 52-01	SCREW ITXSCFM		4	
34	588 09 37-02	CARBURETTOR AREA BASE		1	
35	503 73 44-01	GROMMET		1	
36	515 98 22-01	CHOKE		1	
37	579 46 89-01	SUPPORT		1	
38	537 09 54-01	GROMMET		1	

N CS2172
CRANK SHAFT



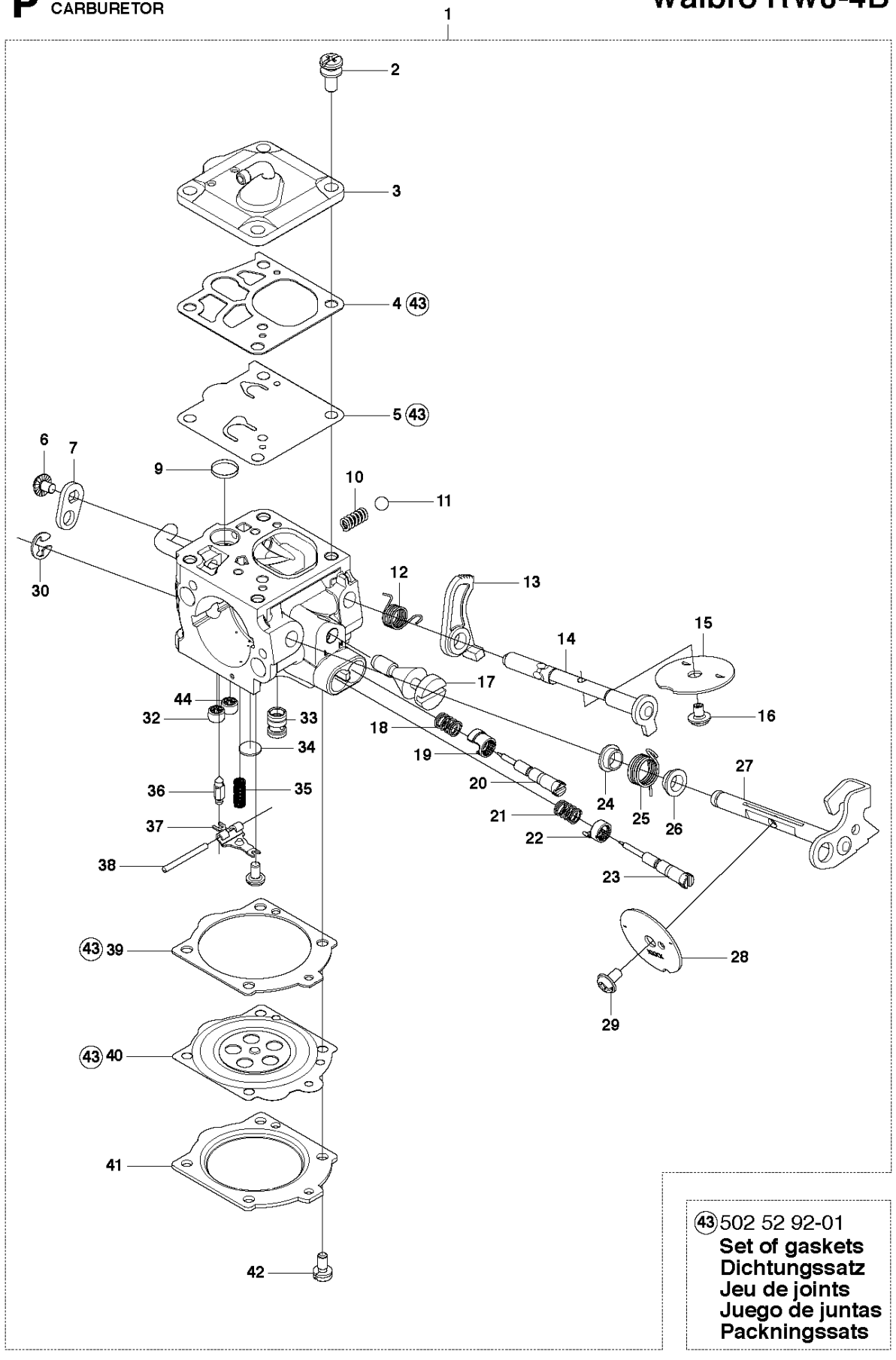
CRANKSHAFT

CS2172 from 2019-10 -

Ref	Part No	Description	Remark	QTY KIT	
1	503 74 87-05	CRANKSHAFT ASSY		1	
2	586 79 84-01	CLUTCH ASSY		1	1
3	503 77 91-01	SLEEVE		1	1
4	503 26 30-19	O-RING		1	1
5	585 97 50-01	BALL BEARING		1	1
6	577 57 24-01	NEEDLE BEARING		1	1
7	585 97 50-01	BALL BEARING		1	1

P CS2172
CARBURETOR

Walbro RWJ-4B

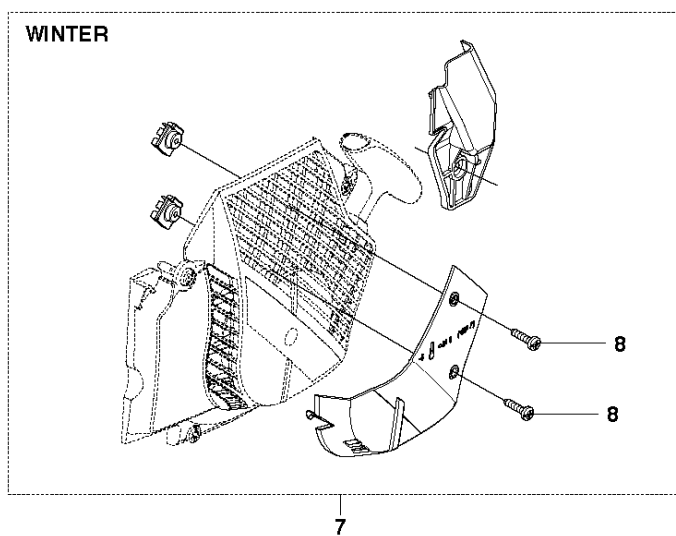
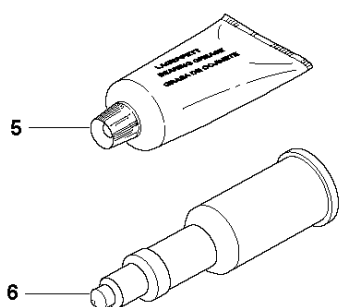
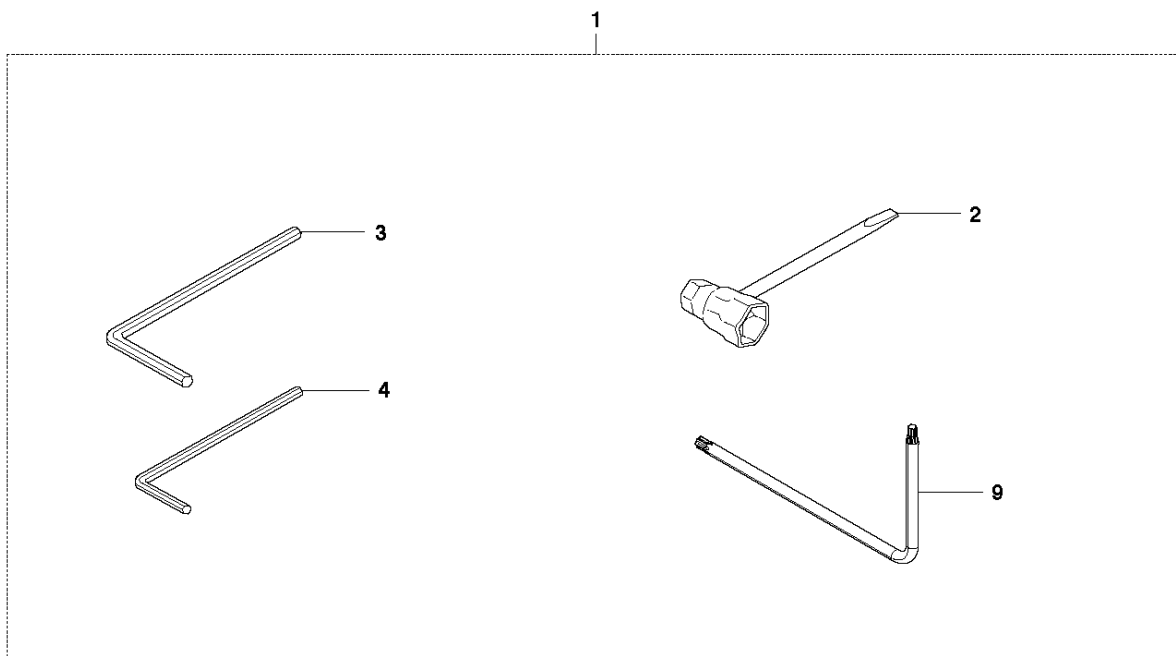


CARBURETOR

CS2172 from 2019-10 -

Ref	Part No	Description	Remark	QTY	KIT
1	581 10 07-01	CARBURETTOR	Walbro RWJ-4B	1	
2	503 11 75-01	SCREW		1	1
3	522 92 35-01	PUMP COVER		1	1
4	503 11 72-01	GASKET		1	1, 43
5	544 89 72-01	DIAPHRAGM PUMP		1	1, 43
6	501 46 87-01	SCREW		1	1
7	504 79 07-01	LEVER		1	1
9	501 66 61-01	SCREEN		1	1
10	503 11 77-01	SPRING		1	1
11	503 11 71-01	BALL		1	1
12	504 79 15-01	SPRING		1	1
13	537 40 92-01	LEVER		1	1
14	504 79 05-01	SHAFT ASSY		1	1
15	544 89 68-01	VALVE		1	1
16	537 00 34-01	SCREW		1	1
17	504 79 11-01	SCREW	s/n up to - 20131800192	1	1
17	585 18 67-01	IDLE SPEED SCREW	s/n from 20131800193 -	1	1
18	544 97 10-01	SPRING		1	1
19	544 97 08-01	LIMITER CAP		1	1
20	522 92 39-01	NEEDLE		1	1
21	544 97 10-01	SPRING		1	1
22	544 97 08-01	LIMITER CAP		1	1
23	544 97 13-01	NEEDLE		1	1
24	502 10 31-01	BUSHING		1	1
25	504 79 14-01	SPRING	s/n up to - 20131800192	1	1
25	576 13 82-01	SPRING	s/n from 20131800193 -	1	1
26	502 10 31-01	BUSHING		1	1
27	522 92 37-01	SHAFT ASSY		1	1
28	522 92 38-01	VALVE	s/n up to - 20131800192	1	1
28	577 65 79-01	VALVE	s/n from 20131800193 -	1	1
29	537 00 34-01	SCREW		1	1
30	505 31 67-36	RING		1	1
32	522 92 41-01	CHECK VALVE	s/n up to - 20131800192	1	1
32	580 64 23-01	CHECK VALVE	s/n from 20131800193 -	1	1
33	503 78 61-01	NOZZLE ASSY	s/n up to - 20131800192	1	1
33	577 69 98-01	MAIN NOZZLE	s/n from 20131800193 -	1	1
34	504 79 08-01	PLUG		1	1
35	504 79 12-01	SPRING		1	1
36	503 56 34-01	NEEDLE VALVE		1	1
37	505 31 67-34	LEVER		1	1
38	505 31 67-31	PIN		1	1
39	501 46 75-01	GASKET		1	1, 43
40	503 63 48-01	SPRING	s/n up to - 20131800192	1	1, 43
40	503 63 58-01	DIAPHRAGM ASSY	s/n from 20131800193 -	1	1,43
41	505 31 67-02	COVER		1	1
42	503 10 87-01	SCREW		1	1
43	502 52 92-01	GASKET KIT	Set of gaskets	1	
44	577 69 97-01	CHECK VALVE		1	1

Q CS2172
 Accessories
 Zubehöre
 Accessoires
 Accesorios
 Tillbehör



ACCESSORIES

CS2172 from 2019-10 -

Ref	Part No	Description	Remark	QTY	KIT
1	588 79 74-01	TOOL		1	
2	501 69 17-01	COMBINATION WRENCH		1	1
3	503 55 86-02	SPANNER	NV5	1	1
4	503 55 86-01	SPANNER	NV4	1	1
5	503 62 12-01	GREASE		1	
6	501 91 14-01	GREASE GUN		1	
7	503 96 90-12	WINTER KIT	WINTER	1	
8	586 50 52-01	SCREW CITXPANT		2	7
9	575 88 07-01	WRENCH	TORX T27/T20	1	1

Illustrated Parts List - IPL Update



Product Name(s)

CS2172

Description of change

New Antivibration element with ground top on the metal spring. The plastic plug is changed. This gives longer thread length and therefor better fastening of spring in plastic plug.

Reason: Improved durability of antivibration element.

Comments

New articles Antivibration element 503 63 76-03 and 503 63 76-04(hard)

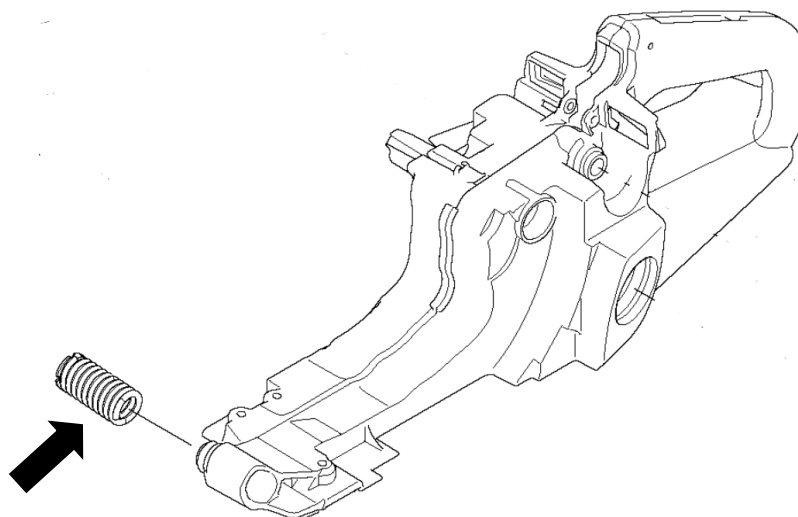
Introduced from

Serial number / Date	Remark
20194200001	ANTIVIBRATION ELEMENT 503 63 76-03
20194200001	ANTIVIBRATION ELEMENT 503 63 76-04

IPL updates

Page Title	Ref.No	New part no	Name	Excl. part no.	Remark
FUEL TANK	12	503 63 76-03	ANTIVIBRATON ELEMENT	503 63 76-01	New spare part, std
	12	503 63 76-04	ANTIVIBRATON ELEMENT	503 63 76-02	New spare part, Hard

FUEL TANK



503 63 76-03/04